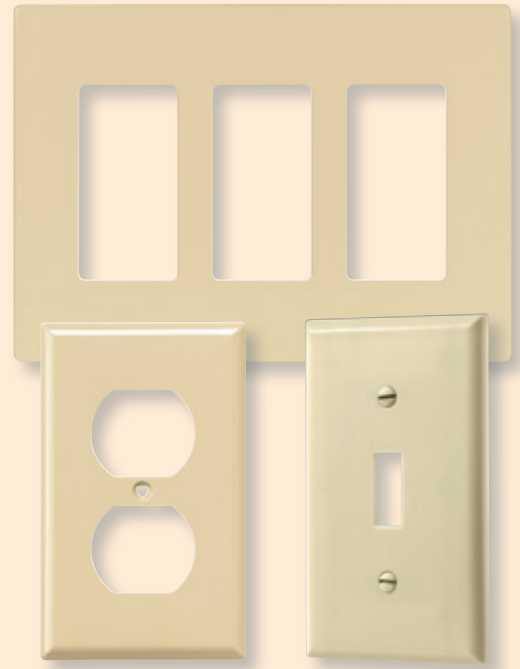


- Mid-size screwless wallplates deliver the ultimate in designer looks with a screwless finish; they are fast and easy to install, virtually unbreakable and easy to clean
- Mid-size & oversize wallplates are designed for use in applications where additional wall coverage is needed
- Extra depth wallplates are available for use with old work outlet boxes for a flush fit to the wall
- Available wallplate materials include virtually unbreakable nylon & polycarbonate thermoplastics, 302/304 corrosion resistant stainless steel, brass, and thermoset
- Nylon & polycarbonate wallplates feature screw-catch, a timesaving feature that holds mounting screws captive to simplify installation
- Our wallplates are manufactured according to the performance & dimensional requirements of Federal Specification WP-455, NEMA Standard WD-1, UL Standard 514 and the NEC®



Specific wallplate solutions for today's needs



Aesthetic upgrade

Our screwless wallplates come in 3 different openings for upgrading the look of toggle switches, GFCIs, rotary dimmers and duplex receptacles without having to change out devices!

See pages C-17 to C-19

Shown:
PJS1

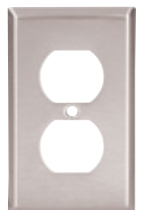


Corrosion resistance

Brass and stainless steel wallplates offer durable, elegant corrosion resistance making them ideal for high-moisture locations like kitchens, baths, garages and basements.

See pages C-10 to C-25

Shown:
93101



Impact resistance

Thermoplastic polycarbonate and nylon wallplates are virtually unbreakable, warp resistant, abrasion resistant and soil resistant, making them ideal for high-traffic areas.

See pages C-10 to C-26

Shown:
PJ26





Thermoplastic nylon or polycarbonate wallplates

Design features

- Rugged construction reduces installation cost due to less plate breakage and resists bowing to provide a smooth, flat installation
- Exclusive timesaving Screw-catch feature holds mounting screws captive and simplifies installation
- High gloss finish is soil resistant
- Polycarbonate wallplates are virtually unbreakable with high structural rigidity, long-term form retention, plus superior impact and abrasion resistance

- Nylon wallplates have a flush-fitting, warp resistant design
- Matching mounting screws provide

Testing & code compliance

- cULus listed to UL514C, file no. E33216, certified to CSA C22.2, no. 42.1

Material characteristics

- Flammability: meets UL94 requirements; 5V rated
- Temperature rating: -40°C to 70°C (-40°F to 158°F)



Thermoset wallplates

Design features

- Extensive line of non-flammable thermoset plates provides flush-fitting, warp resistant performance

Material characteristics

- Flammability: Meets UL94 requirements; 5V rated
- Temperature rating: -40°C to 65°C (-40°F to 149°F)

Testing & code compliance

- cULus listed to UL514C, file no. E33216, certified to CSA C22.2, no. 42.1



302/304 Stainless steel wallplates

Design features

- Superior non-corrosive and non-magnetic properties for applications needing protection from those elements
- Stainless steel alloy contains 18% chromium and 8% nickel for corrosion resistance
- Stamped from 0.032" (0.81mm) thick material
- Horizontally satin-brushed surface finish resists finger prints
- All plates are coated with clear, removable PVC to safeguard the surface during handling and installation

- Matching stainless steel mounting screws provided

Testing & code compliance

- Listed to UL514D, file no. E92122, certified to CSA C22.2, no.42.1

Material characteristics

- Temperature rating: -40°C to 70°C (-40°F to 158°F)



Brass wallplates

Design features

- Line of handsomely crafted, elegant solid brass designs in 11 popular NEMA standard size configurations
- Strong, corrosion resistant and coated with transparent lacquer to resist premature oxidation
- Horizontally satin-brushed surface finish resists fingerprints
- Matching brass-plated steel screws resist damage during installation

- All plates are coated with clear, removable PVC to safeguard the surface during handling and installation

- Solid brass material is a 70/30 alloy (#26C), .040" (1.02mm) thick

Testing & code compliance

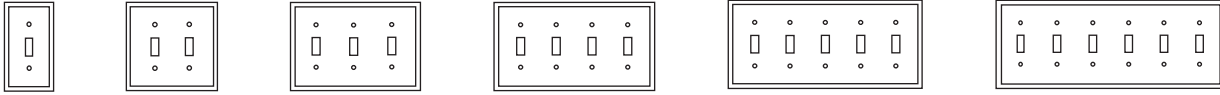
- Listed to UL514D, file no. E92003

Material characteristics

- Temperature rating: -40°C to 70°C (-40°F to 158°F)

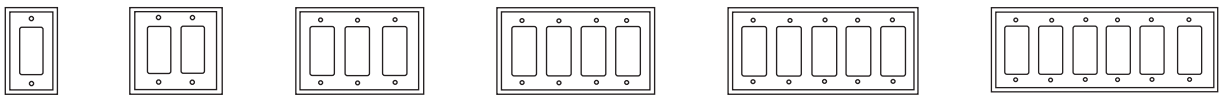
Compliances, specifications and availability are subject to change without notice.

Toggle



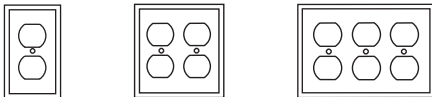
Gang	Standard size				Mid-size				Oversize	
	Thermoset	Nylon	Stainless steel	Brass	Thermoset	Polycarbonate	Screwless	Stainless steel	Thermoset	Stainless steel
1-Gang	2134__	5134__	93071	94071	2034__	PJ1__	PJS1__	93971	2144__	93871
2-Gang	2139__	5139__	93072	94072	2039__	PJ2__	PJS2__	93972	2149__	93872
3-Gang	2141__	5141__	93073	94073	2041__	PJ3__	PJS3__	93973	2741__	93873
4-Gang	2154__	5154__	93074	—	2054__	PJ4__	PJS4__	—	—	93874
5-Gang	2155__	—	93075	—	—	PJ5__	—	—	—	—
6-Gang	2156__	—	93076	—	—	PJ6__	—	—	—	—

Decorator/GFCI



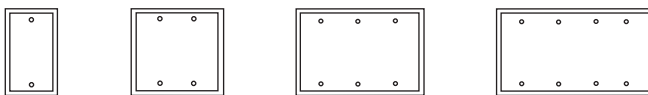
Gang	Standard size				Mid-size				Oversize	
	Thermoset	Nylon	Stainless steel	Brass	Thermoset	Polycarbonate	Screwless	Stainless steel	Thermoset	Stainless steel
1-Gang	2151__	5151__	93401	94401	2051__	PJ26__	PJS26__	93934	2751__	93834
2-Gang	2152__	5152__	93402	94402	2052__	PJ262__	PJS262__	93935	—	—
3-Gang	2163__	—	93403	—	2063__	PJ263__	PJS263__	93936	—	—
4-Gang	2164__	—	93404	—	2064__	PJ264__	PJS264__	—	—	—
5-Gang	2165__	—	93405	—	—	PJ265__	PJS265__	—	—	—
6-Gang	2166__	—	93406	—	—	PJ266__	PJS266__	—	—	—

Duplex receptacle



Gang	Standard size				Mid-size				Oversize	
	Thermoset	Nylon	Stainless steel	Brass	Thermoset	Polycarbonate	Screwless	Stainless steel	Thermoset	Stainless steel
1-Gang	2132__	5132__	93101	94101	2032__	PJ8__	PJS8__	93901	2142__	93801
2-Gang	2150__	5150__	93102	94102	2050__	PJ82__	—	93902	2750__	93802
3-Gang	—	—	93103	—	—	—	—	—	—	—

Blank

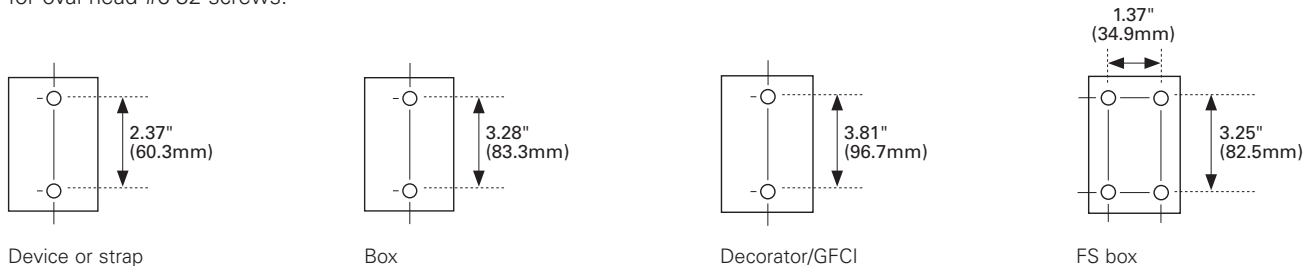


Gang	Standard size				Mid-size				Oversize	
	Thermoset	Nylon	Stainless steel	Brass	Thermoset	Polycarbonate	Screwless	Stainless steel	Thermoset	Stainless steel
1-Gang	2129__	5129__	93151	94151	2029__	PJ13__	—	93951	2729__	93851
2-Gang	2137__	5137__	93152	—	2037__	PJ23__	—	—	—	93852
3-Gang	—	—	93153	—	—	—	—	—	—	—
4-Gang	—	—	93154	—	—	—	—	—	—	—
1-strap mt.	—	—	—	—	—	PJ14__	—	—	—	—

Compliances, specifications and availability are subject to change without notice.

Mounting holes for wallplates and covers

These are the most common nominal spacings for mounting holes on wallplates and covers. Holes are normally countersunk for oval head #6-32 screws.



Cover opening dimensions

Nominal dimensions for cover openings conform to industry standards and practices.

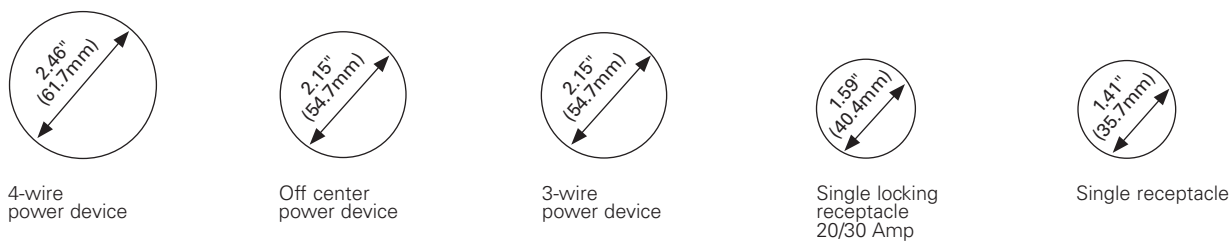
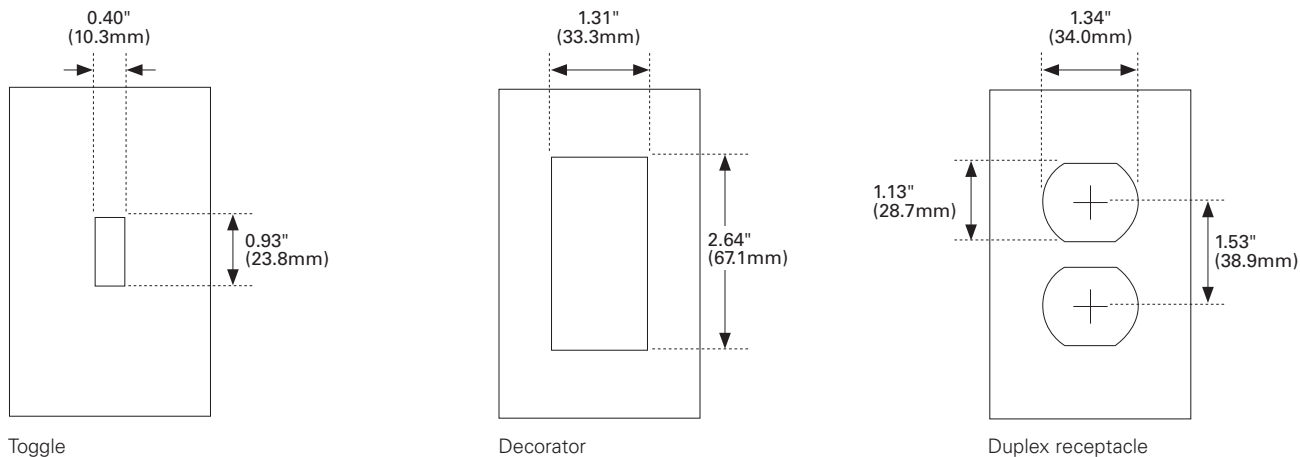


Plate opening dimensions

Nominal dimensions for plate openings conform to industry standards and practices.

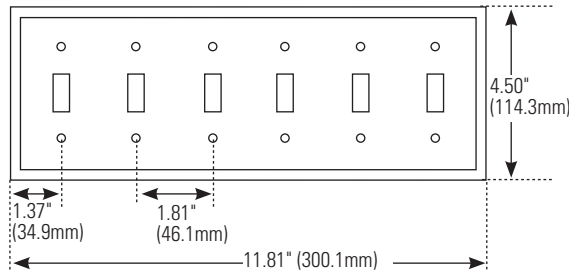


Compliances, specifications and availability are subject to change without notice.

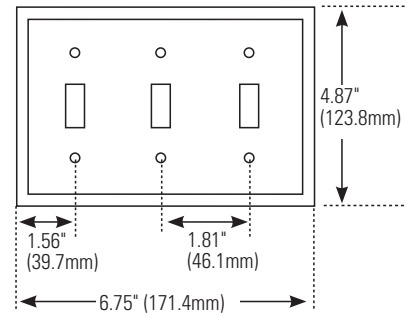
Wallplate sizes

Gang	Description	Height	Width	First gang to edge	Gang to gang
1-Gang	Standard	4.50" (114.3mm)	2.75" (34.9mm)	1.37" (34.9mm)	—
	Mid-size	4.87" (123.8mm)	3.13" (79.4mm)	1.56" (39.7mm)	—
	Oversize	5.25" (133.4mm)	3.5" (88.9mm)	1.75" (44.4mm)	—
2-Gang	Standard	4.50" (114.3mm)	4.56" (115.9mm)	1.37" (34.9mm)	1.81" (46.0mm)
	Mid-size	4.87" (123.8mm)	4.94" (125.4mm)	1.56" (39.7mm)	1.81" (46.0mm)
	Oversize	5.25" (133.4mm)	5.31" (134.9mm)	1.75" (44.4mm)	1.81" (46.0mm)
3-Gang	Standard	4.50" (114.3mm)	6.37" (161.9mm)	1.37" (34.9mm)	1.81" (46.0mm)
	Mid-size	4.87" (123.8mm)	6.75" (171.4mm)	1.56" (39.7mm)	1.81" (46.0mm)
	Oversize	5.25" (133.4mm)	7.17" (182.2mm)	1.75" (44.4mm)	1.81" (46.0mm)
4-Gang	Standard	4.50" (114.3mm)	8.19" (207.9mm)	1.37" (34.9mm)	1.81" (46.0mm)
	Mid-size	4.87" (123.8mm)	8.56" (217.5mm)	1.56" (39.7mm)	1.81" (46.0mm)
	Oversize	5.25" (133.4mm)	8.94" (227.0mm)	1.75" (44.4mm)	1.81" (46.0mm)
5-Gang	Standard	4.50" (114.3mm)	10.00" (254.0mm)	1.37" (34.9mm)	1.81" (46.0mm)
	Mid-size	4.87" (123.8mm)	10.37" (263.5mm)	1.56" (39.7mm)	1.81" (46.0mm)
6-Gang	Standard	4.50" (114.3mm)	11.81" (300.0mm)	1.37" (34.9mm)	1.81" (46.0mm)
	Mid-size	4.87" (123.8mm)	12.18" (309.5mm)	1.56" (39.7mm)	1.81" (46.0mm)

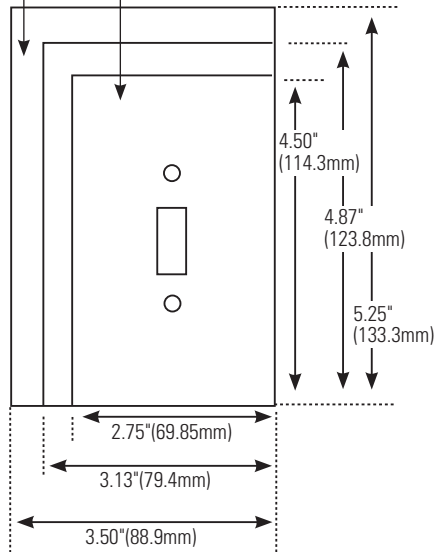
Standard



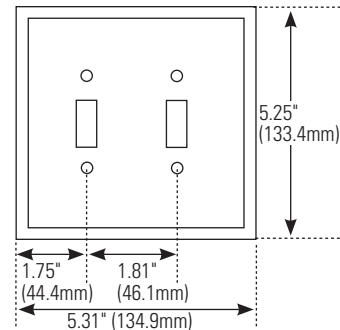
Mid-size



Oversize Mid-size Standard



Oversize

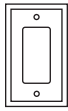


Compliances, specifications and availability are subject to change without notice.

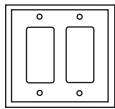
Standard size decorator wallplates

Product description

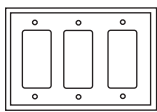
1-Gang, 2-Gang, 3-Gang,
4-Gang, 5-Gang, 6-Gang



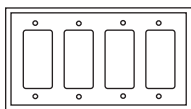
1-Gang



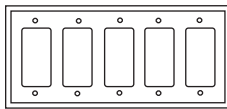
2-Gang



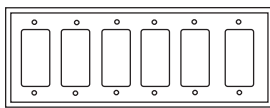
3-Gang



4-Gang



5-Gang



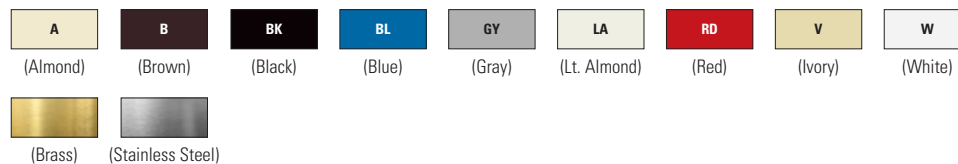
6-Gang

Decorator

Gang	Material	Color suffix	Catalog no.		
1-Gang	Nylon	A, B, BL, BK, GY, LA, RD, V, W	□ 5151__	•	•
	Thermoset	A, B, BK, GY, LA, V, W	□ 2151__	•	•
	302/304 Stainless steel	—	□ 93401	•	•
	Brass	—	□ 94401	•	•
2-Gang	Nylon	A, B, BK, GY, LA, V, W	□ 5152__	•	•
	Thermoset	A, B, BK, GY, LA, V, W	□ 2152__	•	•
	302/304 Stainless steel	—	□ 93402	•	•
	Brass	—	□ 94402	•	•
3-Gang	Thermoset	A, B, GY, LA, V, W	□ 2163__	•	•
	302/304 Stainless steel	—	□ 93403	•	•
4-Gang	Thermoset	A, B, LA, V, W	□ 2164__	•	•
	302/304 Stainless steel	—	□ 93404	•	•
5-Gang	Thermoset	A, B, LA, V, W	□ 2165__	•	•
	302/304 Stainless steel	—	□ 93405	•	•
6-Gang	Thermoset	A, B, LA, V, W	□ 2166__	•	•
	302/304 Stainless steel	—	□ 93406	•	•

Color ordering information:

For ordering devices, include Catalog no. followed by the Color suffix: A (Almond), B (Brown), BK (Black), BL (Blue), GY (Gray), LA (Light Almond), RD (Red), V (Ivory), W (White), Brass, Stainless Steel



Certification information: 2000 and 5000 series wallplates are cULus certified; 93000 series wallplates are UL and CSA certified; 94000 are UL certified **Dimensional information:** C-5, C-6 **Specification information:** Please visit www.eaton.com/wiringdevices
Compliances, specifications and availability are subject to change without notice.

Indicates NAFTA compliant - Page G-21

RoHS compliant - Page G-21