

RC3 SERIES™ POKE-THRU DEVICES



RC3 Series™ Surface Style Poke-Thru Devices provide one (1) 20 Amp power device and four (4) ports of communication.

CODE REFERENCE

cULus Listed Metallic Outlet Boxes:
File E2961 Guide QCIT.

cULus Listed Nonmetallic Outlet Boxes & Fittings Classified for Fire Resistance:
File R8209 Guide CEYY.

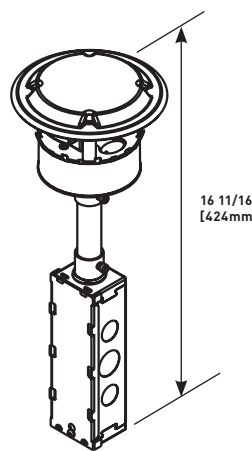
Meets Article 300.21, 300.22(C) & 314 of NEC.



RC3 Series Poke-Thru Device installed in a carpeted floor.

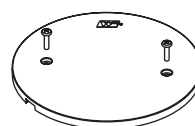
RC3 Series Poke-Thru Devices Ordering Information

RC3STC Insert Assembly with Disposable Plate



Use with RC3C Series Covers to complete installation.

RC3APTC Abandonment Plate



Available in black (RC3APTCKBK) and gray (RC3APTCKGY).

NOTE: To abandon the RC3 Series Poke-Thru Device, the duplex receptacle must be left installed in the unit in order to maintain scrub water compliance. Also the stem must remain in the hole.

HOLE DIAMETER

Minimum:	4" [102mm]
Maximum:	4 1/8" [105mm]

COLOR OPTIONS



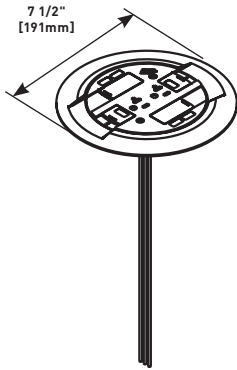
RC3 Series parts are available in gray "GY", black "BK", brushed aluminum "AL", brass "BS", ivory "VY", a brass-colored finish "AB" and an aluminum-colored finish "AA".

Custom color options are also available. Consult the factory for more information.

RC3 SERIES™ POKE-THRU DEVICES

RC3 Series Poke-Thru Devices Ordering Information

RC3CTC Finish Flange & Slide Holder

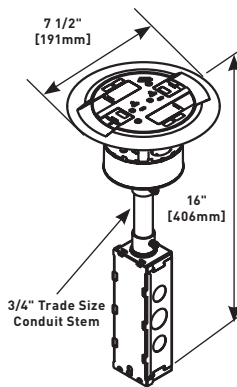


Finish flange and slide holder. Prewired 20A duplex receptacle can be wired as standard duplex or isolated ground. Flange available in painted gray (RC3CTCGY), black (RC3CTCBK), ivory (RC3CTCVY), or brushed metal finishes in aluminum (RC3CTCAL) and brass. Aluminum and brass flanges shipped with black slide cover. Brass flange also available with nonmetallic brass colored slide holder (RC3CTCAB). Aluminum flange also available with nonmetallic aluminum colored slider holder (RC3CTCAA). Includes Wiremold Open System unloaded

adapters to accept four (4) discrete keystone connectors from most manufacturers. Unit also includes two (2) Ortronics TracJack adapters and two (2) Ortronics Series II adapters. Modular Jacks sold separately.

NOTE: Assembled with scrub water gasket. For use on tile or carpet floors.

RC3ATC Assembled Poke-Thru Device



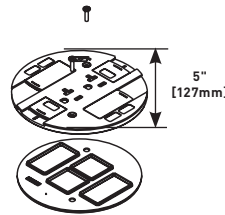
Assembled unit. Prewired 20A duplex receptacle can be wired as standard duplex or isolated ground. Flange available in painted gray (RC3ATCGY), black (RC3ATCBK), ivory (RC3ATCVY), or brushed metal finishes in aluminum (RC3ATCAL) and brass. Slide covers match the painted flange colors: gray, black, and ivory. Aluminum and brass flanges shipped with black slide cover. Brass flange also available with nonmetallic brass colored slider holder (RC3ATCAB). Aluminum flange also available with nonmetallic aluminum colored

slider holder (RC3ATCAA). Includes Wiremold Open System unloaded adapters to accept four (4) discrete keystone connectors from most manufacturers. Unit also includes two (2) Ortronics TracJack adapters and two (2) Ortronics Series II adapters. Modular Jacks sold separately.

NOTE: Assembled with scrub water gasket. For use on tile or carpet floors.

NOTE: RC3 Series Poke-Thru Devices require a 4" [102mm] diameter hole. Not designed to work with bare concrete or terrazzo. Floor covering thickness 1/8" minimum.

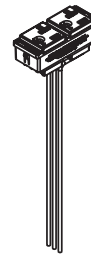
RC3SHTC Slide Holder



Nonmetallic slide holder assembly. Available in gray (RC3SHTCGY), black (RC3SHTCBK), ivory (RC3SHTCVY), nonmetallic brass (RC3SHTCBS), and nonmetallic aluminum (RC3SHTCAA).

NOTE: Assembled with scrub water gasket. For use on tile or carpet floors.

RC37REC, RC37REC-25 Replacement Receptacles

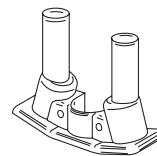


Prewired snap-in 20A receptacle can be wired as standard duplex or isolated ground. Available only in black. See installation instructions with replacement receptacle for complete installation details. The RC37REC-25 is available with 25 foot [7.62m] leads and can be wired as standard duplex or isolated ground.

NOTE: The 20A duplex receptacle supplied with the new scrub water version RC3 Poke-Thru Device is proprietary and can only be replaced with the RC37REC.

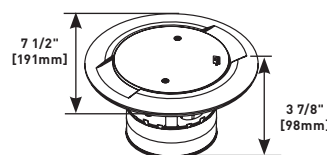
NOTE: RC3 Series Poke-Thru Devices require a 4" [102mm] diameter hole. Not designed to work with bare concrete or terrazzo. Floor covering thickness 1/8" minimum.

COM50, COM75 Communication Adapter



For two 1/2" trade size conduit connections (COM50). For two 3/4" trade size conduit connections (COM75). No additional capacity with COM75.

ABPLUG4 Abandonment Plug Assembly



Complete plug assembly for abandoning an open 4" [102mm] diameter hole. Assembly includes intumescent fire-stop material to maintain the fire classification of the

floor, integral retainer ring to prevent the unit from pulling up through the floor, and a black die-cast aluminum cover.

RC3 Series Ordering Information

Catalog No./Item	Description/Specifications
------------------	----------------------------

Catalog Number Explanation RC3ATCAL

RC3 Identifies Poke-Thru Series	A Identifies Assembled Unit (A) or Cover (C)	TC Identifies that Unit is Approved for Tile and Carpet Floors	AL Identifies Color of Finish Flange
---	---	--	---

RC3ATCGY
RC3ATCBK
RC3ATCAL
RC3ATCBS
RC3ATCVY
RC3ATCAB

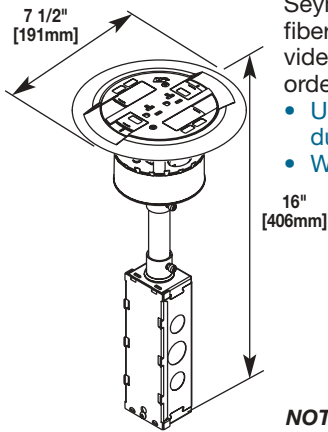
Assembled Unit – Prewired 20A duplex receptacle can be wired as standard duplex or isolated ground. Flange available in painted gray (GY), black (BK), ivory (VY), or brushed metal finishes in aluminum (AL) and brass (BS). Slide covers match the painted flange colors, gray, black, ivory. Aluminum and brass flanges shipped with black slide cover. Brass flange also available with nonmetallic brass colored slide holder (AB). Wiremold open system unloaded inserts to accept four discrete keystone connectors from most manufacturers are provided. Other 2A Pass & Seymour Network Wiring inserts for fiber optic, coaxial, audio, and video applications can be ordered separately.

- Unit also includes two Wiremold dual Category 5e modular inserts.
- Wiremold Open System Inserts.

ORT

P&S

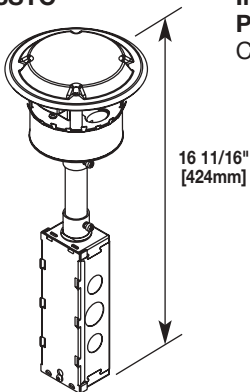
OPEN



NOTE: Assembled with scrub water gasket. For use on tile or carpet floors.

RC3STC

Insert Assembly with Disposable Plate – Use with RC3C Series Covers to complete installation.



Catalog No./Item	Description/Specifications
------------------	----------------------------

Catalog Number Explanation RC3ARTTCAL

RC3 Identifies Poke-Thru Series	A Identifies Assembled Unit (A) or Cover (C)	RT Designates Unit Includes Ortronics Workstation Connectivity Bezels	TC Identifies that Unit is Approved for Tile and Carpet Floors	AL Identifies Color of Finish Flange
---	---	--	--	---

RC3ARTTCGY
RC3ARTTCBK
RC3ARTTCAL
RC3ARTTCBS

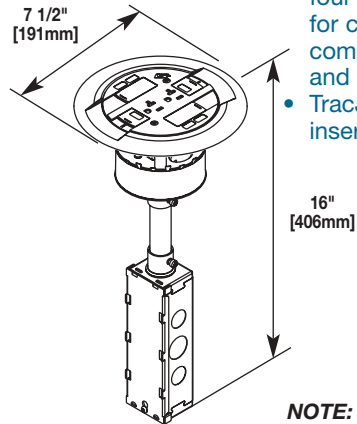
Assembled Unit – Prewired 20A duplex receptacle can be wired as standard duplex or isolated ground. Flange available in painted gray (GY), black (BK), or brushed metal finishes in aluminum (AL) and brass (BS). Slide covers match the painted flange colors: gray and black. Aluminum and brass flanges shipped with black slide cover.

- Unit also includes Ortronics TracJack mounting bezels, four blank TracJack inserts for closing off unused communication openings, and Series II bezels.
- TracJack and Series II modular inserts not included.

ORT

P&S

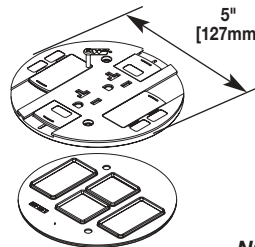
OPEN



NOTE: Assembled with scrub water gasket. For use on tile or carpet floors.

RC3SHTCBK
RC3SHTCGY
RC3SHTCBS
RC3SHTCVY

Nonmetallic Slide Holder Assembly – Available in black (BK), gray (GY), ivory (VY), and nonmetallic brass (BS).



NOTE: Assembled with scrub water gasket. For use on tile or carpet floors.

NOTE: See page 18 for specifications.

Flush Poke-Thru Series Specifications

Copper Cross Section:

The copper cross-sectional area determines the amount of wire fill capacity in a poke-thru device. Unlike other wire and cable management systems that utilize wire fill capacity, a poke-thru device is UL tested under fire conditions to determine the maximum amount of copper conductors that will pass through a poke-thru device, while maintaining the fire-rating of the floor assembly. All Walker Flush Style Devices are UL Classified to U.S. and Canadian safety standards (see complete marking on product) to accommodate at a maximum rating as follows:

RC7 SERIES

Maximum Allowable Copper Cross-Sectional Area:

RC7 Power Compartment Only = .01536 sq. in. [9.91mm²]

RC7 Each Communication Compartment Only = .0040 sq. in. [2.58mm²]

NOTE: The RC7 Series requires a 3" [76mm] cored hole.
(American made core bit having an outside diameter of 3 1/16" [78mm].)

RC9 SERIES

Maximum Allowable Copper Cross-Sectional Area:

RC9 Power Compartment Only = .01536 sq. in. [9.91mm²]

RC9 Each Communication Compartment Only = .0040 sq. in. [2.58mm²]

NOTE: The RC9 Series requires a 3" [76mm] cored hole.
(American made core bit having an outside diameter of 3 1/16" [78mm].)

AV3 SERIES

Maximum Allowable Copper Cross-Sectional Area:

AV3 Power Compartment Only = .01536 sq. in. [9.91mm²]

AV3 Communication Compartment Only = .01938 sq. in. [12.503mm²]

NOTE: The AV3 Series requires a 4" [102mm] cored hole.
(American made core bit having an outside diameter of 4 1/16" [103mm].)

RC9AMD SERIES

Maximum Allowable Copper Cross-Sectional Area:

RC9AMD Communication Compartment = .01600 sq. in. [10.324mm²]

NOTE: The RC9AMD Series requires a 3" [76mm] cored hole.
(American made core bit having an outside diameter of 3 1/16" [78mm].)

AMD8 SERIES

Maximum Allowable Copper Cross-Sectional Area:

AMD8 Communication Compartment Only = .03474 sq. in. [22.412mm²]

NOTE: The AMD8 Series requires a 4" [102mm] cored hole.
(American made core bit having an outside diameter of 4 1/16" [103mm].)

RC3 SERIES

Maximum Allowable Copper Cross-Sectional Area:

RC3 Power Compartment Only = .01536 sq. in. [9.91mm²]

RC3 Each Communication Compartment Only = .008 sq. in. [5.16mm²]

NOTE: The RC3 Series requires a 4" [102mm] cored hole.
(American made core bit having an outside diameter of 4 1/16" [103mm].)

RC4 SERIES

Maximum Allowable Copper Cross-Sectional Area:

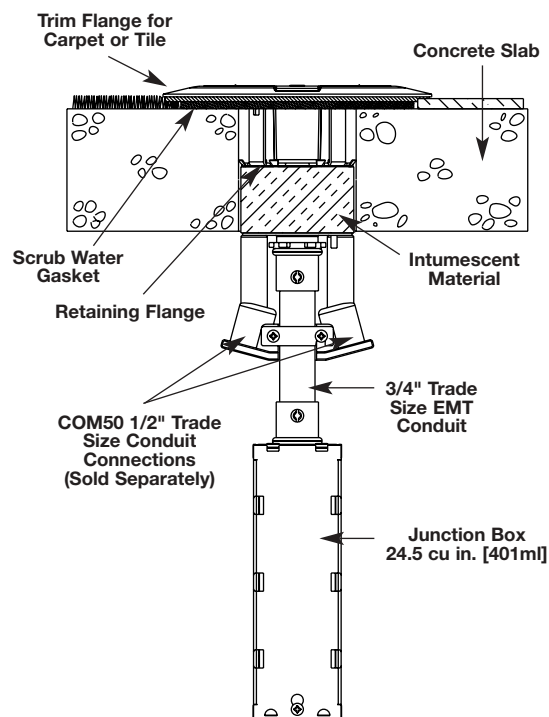
RC4 Power Compartment Only = .03072 sq. in. [19.82mm²]

RC4 Each Communication Compartment Only = .008 sq. in. [5.16mm²]

NOTE: The RC4 Series requires a 4" [102mm] cored hole.
(American made core bit having an outside diameter of 4 1/16" [103mm].)

Copper Cross Sectional Area of Commonly Used Conductors		
Size	Solid	
#24	.00032 sq. in.	[.206mm ²]
#22	.00050 sq. in.	[.322mm ²]
#14	.00323 sq. in.	[2.083mm ²]
#12	.00512 sq. in.	[3.303mm ²]
#10	.00815 sq. in.	[5.258mm ²]
# 8	.01296 sq. in.	[8.361mm ²]

NOTE: Use above values for solid or stranded conductors.



Concrete Thickness Min/Max:

1-HOUR RATED FLOOR – 2 1/4" [57mm] min over top of deck (or 3" [76mm] thick reinforced concrete slab) to a maximum of 7 1/2" [191mm].

2-HOUR RATED FLOOR – 3 1/4" [83mm] min over top of deck (or 4" [102mm] thick reinforced concrete slab) to a maximum of 7 1/2" [191mm].

Floor Coverings:

The poke-thru device is fire rated for carpet and wood covered concrete floors, tile floor coverings up to 3/4" [19.1mm] maximum thickness, and linoleum floor coverings up to a maximum of 1/8" [3.2mm] thickness. For other floor coverings not listed above, consult factory.

IMPORTANT!

The above maximum copper cross sectional area values are for each individual power and communication compartment. DO NOT add values together for any one compartment.

CAUTION! Core bits vary in size from manufacturer to manufacturer:

- Use a 3" [76mm] American made core bit having an outside diameter of 3 1/16" [78mm]. Minimum hole diameter: 3 1/16" [78mm].
- Use a 4" [102mm] American made core bit having an outside diameter of 4 1/16" [103mm]. Minimum hole diameter: 4 1/16" [103mm].

CAUTION: These devices are suitable for 1, 1 1/2, and 2 hour rated floor assemblies as described in the UL Fire Resistance directory for each service.

These devices meet all UL scrub water requirements, but are not suitable for wet or damp locations, or other areas subject to saturation with water or other liquids such as commercial kitchens.