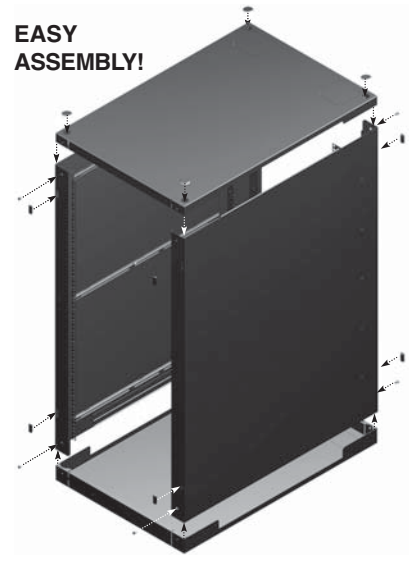


# Stacking Knockdown Server Cabinet

## RCSC Series

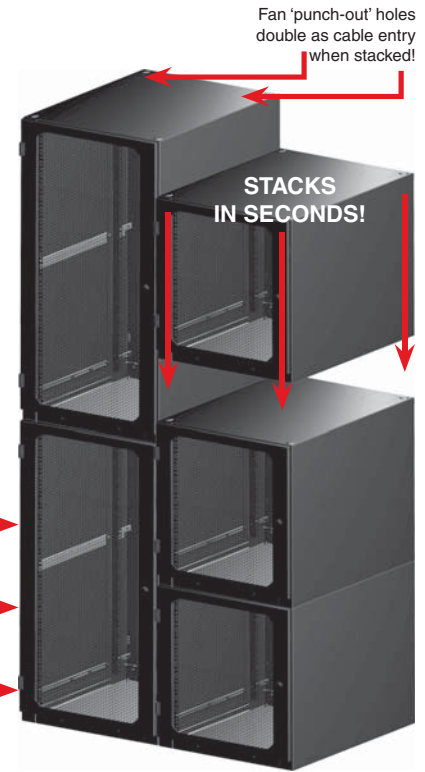
**Data Communication Infrastructure**


Optional High Airflow vented door shown.



**EASY  
ASSEMBLY!**

**NOTE: Baying kit (RCSCBAY) is required to lock cabinets together securely when stacking.**



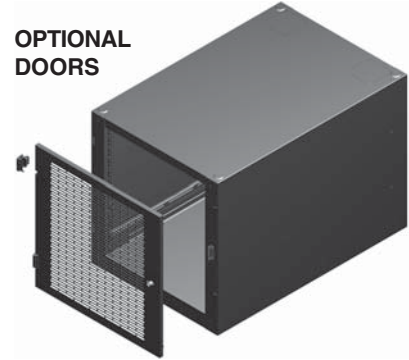
### Application

- The RCSC Rack Cabinet features a stacking design that allows for up to three (3) cabinets\* to be stacked atop each other. This Rack Cabinet is fully loaded and includes two (2) pairs of infinitely adjustable sliding EIA square-hole rails, punch-outs for cable entry and/or fan cooling and comes in a variety of sizes and depths.

### Features

- The unique stacking feature enables your cabinet space to grow as your needs do. \*Stack up-to three (3) 12U, two (2) 24U or one (1) of each cabinet atop each other using the required baying kit (RCSCBAY). The 12U cabinet is a great starter cabinet for any small to medium sized business.
- Four (4) embosses are included with support for optional levelling feet or casters.
- Includes two (2) pair of 19" mounting EIA-310-D compliant square-hole design feature U space markings. Rails are infinitely adjustable in depth. Rails are fabricated of heavy duty fourteen (14) gauge steel, painted smooth black.

### OPTIONAL DOORS



- The top and bottom of the RCSC includes two (2) laser knockouts (per side) for cable-entry or fans (includes gasket strip material). For 36" depth cabinet side panels include cable entry knockouts. Also includes a laser knockout rear gland plate for floor-level cable entry.
- Optional doors are available in solid, tinted acrylic, honey-comb perf and high airflow vented. Snap-in hinges can be mounted without having to bolt-on from inside the cabinet. In addition, the hinges can be mounted on the left or right.
- High airflow perforated doors for both front and rear of the cabinet are suggested for most server applications. Perforated doors meet server manufacturer Free-Air-Ratio (FAR) requirements at 65%.

### Construction

- The RCSC features a knockdown 16-gauge steel frame with heavy-duty struts contributing to a weight-load rating of 1500 lbs. Ships un-assembled in (flat-pack).
- Grounding studs provided on body.

### Accessories

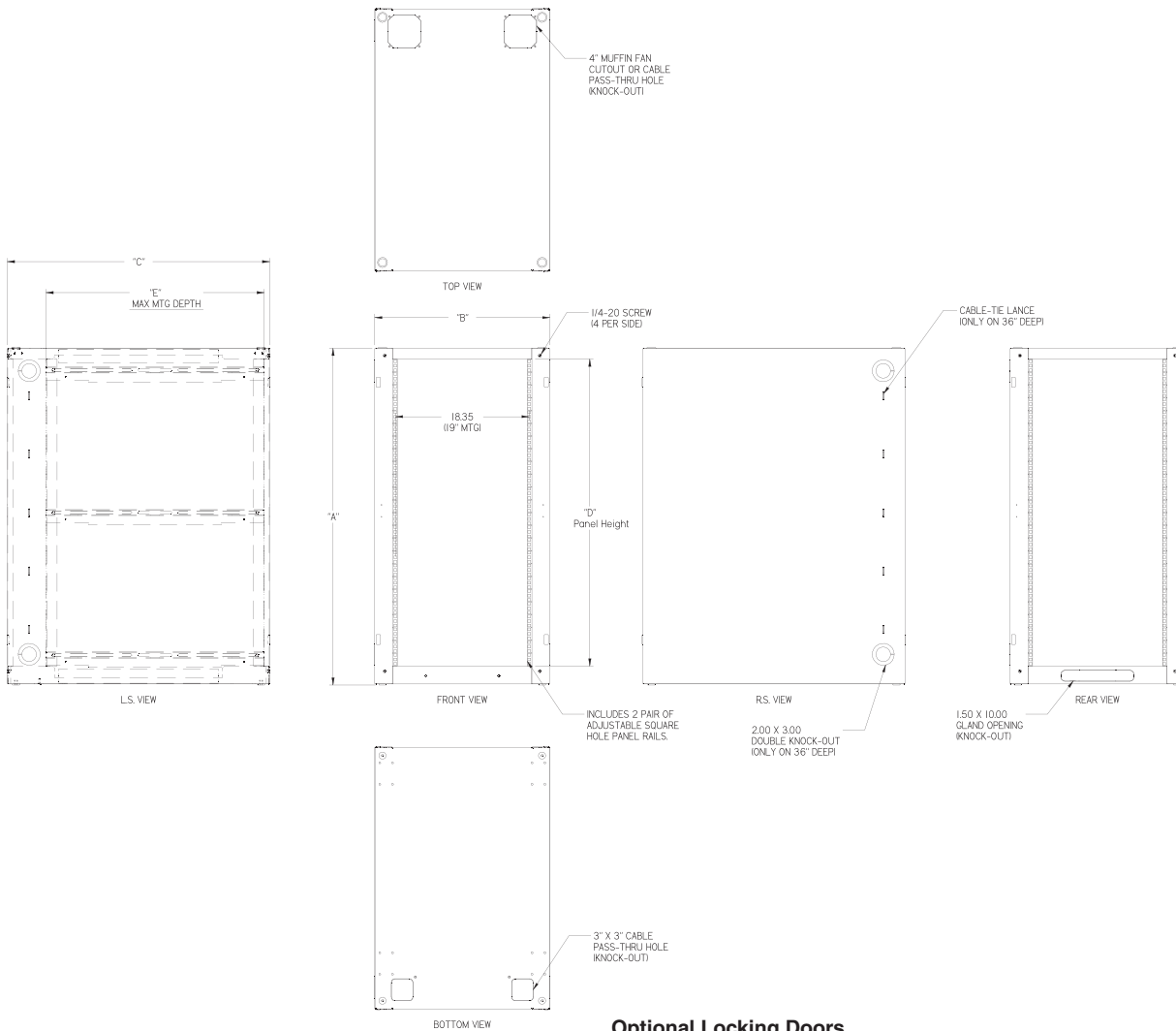
- Power Bars...see page 444
- Hardware...see page 432
- Shelves...see page 425
- Panels...see page 426
- Cable Managers...see page 426

### Finish

- Rugged textured black powder paint

# Stacking Knockdown Server Cabinet

## RCSC Series

**Data Communication Infrastructure**


Part No.	Units	Overall Height	Overall Depth	Max Mounting Depth
RCSC1902124BK1	12U	25"	24.5"	23"
RCSC1904224BK1	24U	46"	24.5"	23"
RCSC1902131BK1	12U	25"	31.5"	30"
RCSC1904231BK1	24U	46"	31.5"	30"
RCSC1902136BK1	12U	25"	36"	30"
RCSC1904236BK1	24U	46"	36"	30"

Includes 50-Pack 10-32 cage nuts and screws.

### Optional Locking Doors

Part No.	Description
RCSC19021PDBK1	12U Perforated Door w/lock
RCSC19021SDBK1	12U Solid Door w/lock
RCSC19021VDBK1	12U Vented Door w/lock
RCSC19042PDBK1	24U Perforated Door w/lock
RCSC19042SDBK1	24U Solid Door w/lock
RCSC19042VDBK1	24U Vented Door w/lock

### Optional Accessories:

Part No.	Description
RCSCATIP	Anti-tip brackets
RCSCBAY	Baying kit - bays (2) RCSC's together (vertically or horizontally)
GRDKIT02	Cabinet ground cable kit
DNFK1AC120	Single (1) Fan kit with grills and cord
DNFK2AC120	Dual (2) Fan kit with grills and cord

### Optional Casters

Part No.	Description	Rated
1425P	Light-duty casters(4)	400 lbs
1425BH	Heavy duty casters(4)	1000 lbs