

1447S Single Door Disconnect Enclosures - NEMA 12, 13

ABB Controls, Allen Bradley, Cutler Hammer, General Electric, Siemens I-T-E Max-Flex™, Square D

Disconnect



Cutout Detail



Wallmount Enclosures

Application

Designed to house the following safety disconnect equipment:

- **ABB Controls** flange-mounted variable depth operating mechanism for disconnect switches and circuit breakers. Also cable version for circuit breakers.
- **Allen Bradley** 1494V variable depth flange mounted disconnect switches and circuit breaker operators. Will not accept Allen Bradley 1494F disconnect switches, 1494D circuit breaker operators.
- **C-H Westinghouse** C361 flange mounted variable depth operating mechanism with disconnect switches and C371 flange mounted variable depth operating mechanisms for circuit breakers. Also Flex-Shaft™ handle mechanisms for circuit breakers.
- **General Electric** Type STDA flange handles and variable depth operating mechanism for disconnect switches and circuit breakers. Also SpectraFlex™ cable operators for circuit breakers.
- **Siemens I-T-E Max-Flex™** flange mounted variable depth handles for disconnect switches and circuit breakers.
- **Square D** class 9422 disconnect switches with flange mounted variable depth operating mechanisms or cable mechanisms and Class 9422 flange-mounted variable depth operating mechanisms or cable mechanisms for circuit breakers. Will not accept Square D Class 9422 bracket-mounted disconnect devices, 9422TG1 or TG2 devices.

Standards

- UL 508 Type 12, 13
- CSA Type 12, 13
- **Complies with**
 - NEMA Type 12 and 13
 - JIC EGP-1-1967
 - IEC 60529, IP54
- Appropriate components are required to maintain these standards.

Construction

- Formed 14-gauge steel.
- Continuously welded seams.
- Larger sizes include door and body stiffeners.
- Welded brackets provide for enclosure mounting.
- Formed lip on door and enclosure exclude flowing liquids and contaminants.
- Cutouts and holes are provided to suit the handle, operating mechanism and door closing mechanism.
- Continuously hinged doors may be removed by pulling the hinge pin.
- Latch pivots and cover interlock brackets are welded to the door.
- Cover latch bars for door handles are provided.
- Collar studs are provided for mounting inner panels.
- A removable 12 gauge inner panel is included.
- Oil resistant gaskets are permanently secured and mechanically retained.
- A bonding stud is provided on the door and a grounding stud is provided in the enclosure.
- A literature pocket is provided.

Note:

- Disconnects, operating mechanisms and door hardware are not provided with the enclosure, and must be ordered separately from the manufacturer.
- Enclosures with an "A" dimension under 40" require 2 point door closing hardware.
- Enclosures with an "A" dimension 40" or more require 3 point door closing hardware.

Finish

- Door and enclosure are phosphatized and finished in ANSI 61 gray recoatable powder coating on the outside.
- Enclosure interior is finished in white powder coating.
- Inner panel is finished in white powder coating.

Accessories

- Additional inner panels
...see page **436**
- Air conditioners...see page **349-367**
- Blowers...see page **392**
- Breather kits...see page **400-401**
- Doorstop kits...see page **453**
- Drip shield kits...see page **451**
- Enclosure stabilizers...see page **456**
- Filter fans...see page **371-384**
- Floor stand kits...see page **393-396**
- Heaters...see page **393-396**
- Thermostats...see page **397**
- Window kits...see page **449**

1447S Single Door Disconnect Enclosures - NEMA 12, 13

ABB Controls, Allen Bradley, Cutler Hammer, General Electric, Siemens I-T-E Max-Flex™, Square D

Disconnect
Wallmount Enclosures

Part No.	Panel Size					Mounting Center		Ship Wt. lbs	Center Stiffener ²
	A	B	C	D	E	F	G		
1447SA8	20	21.38	8	17	17	15.38	21.25	51	N
1447SB8	24	21.38	8	21	17	15.38	25.25	60	N
1447SC8	24	25.38	8	21	21	19.38	25.25	71	N
1447SD8	30	21.38	8	27	17	15.38	31.25	74	N
1447SE8	30	25.38	8	27	21	19.38	31.25	87	N
1447SF8	36	25.38	8	33	21	19.38	37.25	98	N
1447SG8	36	31.38	8	33	27	25.38	37.25	121	N
1447SH8	42	31.38	8	39	27	25.38	43.25	135	I
1447SJ8	42	37.38	8	39	33	31.38	43.25	154	I
1447SK8	48	37.38	8	45	33	31.38	49.25	172	I
1447SL8	60	37.38	8	57	33	31.38	61.25	248	I
1447SA10	20	21.38	10	17	17	15.38	21.25	52	N
1447SB10	24	21.38	10	21	17	15.38	25.25	63	N
1447SC10	24	25.38	10	21	21	19.38	25.25	71	N
1447SD10	30	21.38	10	27	17	15.38	31.25	80	N
1447SE10	30	25.38	10	27	21	19.38	31.25	90	N
1447SF10	36	25.38	10	33	21	19.38	37.25	100	N
1447SG10	36	31.38	10	33	27	25.38	37.25	126	N
1447SH10	42	31.38	10	39	27	25.38	43.25	143	I
1447SJ10	42	37.38	10	39	33	31.38	43.25	193	I
1447SK10	48	37.38	10	45	33	31.38	49.25	180	I
1447SL10	60	37.38	10	57	33	31.38	61.25	255	I
1447SE12	30	25.38	12	27	21	19.38	31.25	100	N
1447SG12	36	31.38	12	33	27	25.38	37.25	130	N
1447SH12	42	31.38	12	39	27	25.38	43.25	150	I
1447SJ12	42	37.38	12	39	33	31.38	43.25	200	I
1447SK12	48	37.38	12	45	33	31.38	49.25	220	I
1447SL12	60	37.38	12	57	33	31.38	61.25	265	I
1447S46L12	60	37.38	12	57	34.5	31.38	61.25	265	I
1447SG16	36	31.38	16	33	27	25.38	37.25	150	N
1447SK16	48	37.38	16	45	33	31.38	49.25	200	I
1447SL16	60	37.38	16	57	33	31.38	61.25	265	I

² Center stiffener; N = Not Included I = Included

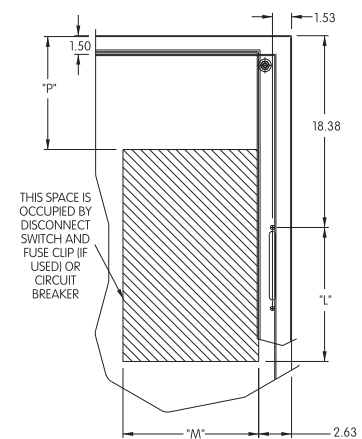
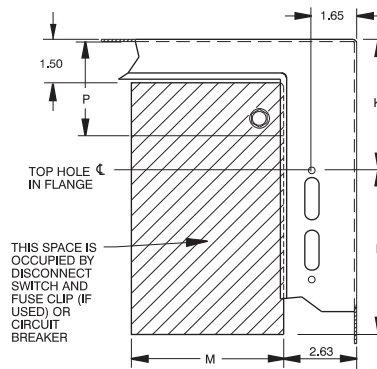
Space Occupied by Disconnect

Note: "K" = 4.75 when "C" = 8.00
 "K" = 7.09 when "C" = 10.00
 "K" = 11.62 when "C" = 12.00
 "K" = 11.62 when "C" = 16.00
 "K" = 18.38 for 1447S46L12
 "P" = Wiring Space

Disconnects will occupy space on panel shown by dimensions "K", "L" and "M".

Wiring space "P" is available when disconnect is installed in the enclosure.

*The disconnect information and space occupied tables based on data supplied by disconnect manufacturer's bulletins. Hammond Manufacturing not responsible for dimensional accuracy.



1447S46L12 only
1494V-H2 and ITE PHOHN
Operating Handle

1447S Single Door Disconnect Enclosures - NEMA 12, 13

Selection Guide

Disconnect
Walmount Enclosures

Hammond Series		1447S
ABB Controls	Disconnect Switch	Flange operated switch (fusible or non-fusible) Shaft: 8-12" dp enclosures, use DSFHS-12; 16" dp enclosures, use DSFHS-17 Handle: DSFHN-HS12 Door Hardware: 2 pt. Latching, use KDH2R; 3 pt. Latching, use KDH3R and FH-3RL
	Circuit Breaker	Circuit breaker: ABB Operating Mechanism: see ABB chart Shaft: 8-12" dp enclosures, use K7FHD-S12; 16" dp enclosures, use K7FHD-S17 Handle: K7FHD-HS12 Door Hardware: 2 pt. Latching, use FH-DHK; 3 pt. Latching, use FH-DHK and FH-3RL
Allen Bradley	1494V Flange Disconnect Switch	Disconnect switch and operating mechanism: Bulletin 1494V Handle: Bulletin 1494V-H1 (except for Hammond part # 1447S46L12, use 1494V-H2) Connecting rod: 8-10" dp enclosures, use 1494V-RA1; 12-16" dp enclosures, use 1494V-RA2 (except for Hammond part # 1447S46L12, use 1494V-RB2 (2)) Trailer fuse block kit (if required): Bulletin 1494V Fuse kit (if required) Line and load connectors (if required) Door Hardware: 2 pt. Latching, use 1494V-L1; 3 pt. Latching, use 1494V-L2
	1494V Flange Circuit Breaker	Circuit breaker: C-H Westinghouse Operating mechanism: Bulletin 1494V Handle: Bulletin 1494V-H11 Connecting rod: 8-10" dp enclosures, use 1494V-RA1; 12-16" dp enclosures, use 1494V-RA2 Door Hardware: 2 pt. Latching, use 1494V-L1; 3 pt. Latching, use 1494V-L2 and 1494V-L1
Cutler Hammer	Type C361 Disconnect Switch	Disconnect switch and operating mechanism Handle: C361-H1 or H3 Door Hardware: 2 pt. Latching, use C361KJ4 or KJ6; 3 pt. Latching, use C361KJ4 or KJ6, and C361KR
	Type C371 Circuit Breaker	Circuit breaker: C-H Westinghouse Operating mechanism Handle: 150 amp, use C371H1 or H3; 250-600 amp, use C371H5 or H7 Door Hardware: 2 pt. Latching, use C361KJ4 or KJ6; 3 pt. Latching, use C361KJ4 or KJ6, and C361KR
	C-H Westinghouse Circuit Breaker w/FlexShaft	Circuit breaker Complete Flex-Shaft handle mechanism Door Hardware: 2 pt. Latching, use C361KJ4 or KJ6; 3 pt. Latching, use C361KJ4 or KJ6, and C361KR
General Electric	Type STDA Flange Disconnect Switch	Disconnect switch Type QMR or QMW Handle: STDA1 or STDA2 Fuse kit (if required) Variable depth operating mechanism Door Hardware: 2 pt. Latching, use TDV-1; 3 pt. Latching, use TDV-1 and TDV-3
	Type STDA Flange Circuit Breaker	Circuit breaker Handle: STDA1 or STDA2 Variable depth operating mechanism Door Hardware: 2 pt. Latching, use TDV-1; 3 pt. Latching, use TDV-1 and TDV-3
	Circuit Breaker w/SpectraFlex	Circuit breaker Flange Mt. Handle: 150-600 amp, use STDA1; SK1200, use STDA3 Breaker mounted mechanism. Operating cable Door Hardware: 2 pt. Latching, use TDV-1; 3 pt. Latching, use TDV-1 and TDV-3
I-T-E Siemens	Max-Flex Flange Disconnect Switch	Disconnect switch: MCS Fuse Kit (if required) Handle: Flange mount FHOHS Switch operator mechanism Operating cable (standard 36.0") Door Hardware: 2 pt. Latching, use DKR2; 3 pt. Latching, use DKR3
	Max-Flex Flange Circuit Breaker	Circuit breaker Pressure wire connectors Handle: Flange mount FHOH (except for Hammond part # 1447S46L12, use FHOHN) Circuit breaker operator mechanism Operating cable: 125-600 amp, use 36"; 800 amp, use 48" Door Hardware: 2 pt. Latching, use DKR2; 3 pt. Latching, use DKR3
Square D	Class 9422 Disconnect Switch	Disconnect switch and operating mechanism 9422 Handle: Type A-1 Door Hardware: 2 pt. Latching, use 9423-M4 or M9; 3 pt. Latching, use 9423-M4 or M9, and 9423-M3
	Class 9422 Circuit Breaker	Circuit breaker Operating mechanism: Class 9422 Handle: Type A-1 Door Hardware: 2 pt. Latching, use 9423-M4 or M9; 3 pt. Latching, use 9423-M4 or M9, and 9423-M3
	Class 9422 "T" Disconnect Switch w/ cable mechanism	Disconnect switch and operating mechanism 9422, Type T Handle: Type A-1 Cable mechanism: Class 9422 CFT_O - 3, 5, or 10 foot Door Hardware: 2 pt. Latching, use 9423-M4; 3 pt. Latching, use 9423-M4 or M9, and 9423-M3
	Circuit Breaker w/cable mechanism	Circuit breaker: Square D Handle: Type A-1 Door Hardware: 2 pt. Latching, use 9423-M4; 3 pt. Latching, use 9423-M4 or M9, and 9423-M3

 Technical references and CAD downloads available at www.hammondmfg.com

All dimensions in inches unless specified otherwise

Quality Products. Service Excellence.