

GRJS Universal Conduit Outlet Boxes

Explosionproof, Dust-Ignitionproof, Weather Resistant (Raintight)

UNILETS™ for use with Threaded Metal Conduit.

CEC:

- Class I, Division 1 and 2, Groups C, D
- Class I, Zone 1 and 2, IIB T6
- Class II, Division 1 and 2, Groups E, F, G
- Class III, Enclosure 3

Applications

- Complies with a wide range of classified area requirements.
- Corrosion-resistant: ideal indoors or out.
- For pulling of wires.
- Connect conduit lengths and change direction of conduit runs.
- Provide access for maintenance.

Features

- Malleable iron bodies have high tensile strength and ductility. Provides great resistance to corrosion, impact, and shock.
- Accurately tapped, tapered hub threads for tight, rigid joints and ground continuity.
- Furnished with covers.
- General purpose wiring.
- Universal design with five threaded openings and three close-up plugs.
- Compact round box for use where space is limited.
- Serve as mounting means for lighting fixtures when used with hub cover.
- Function as sealing fittings when used with sealing covers (see CEC for restrictions).
- Internally threaded body with externally threaded cover.
- Smooth, rounded integral bushing in each hub type box protects conductor insulation.

Standard Materials


- Bodies: malleable iron or copperfree (4/10 of 1% max.) aluminum
- Covers: copperfree (4/10 of 1% max.) aluminum

Standard Finishes

- Bodies: triple-coat — (1) zinc electroplate, (2) chromate, and (3) epoxy powder coat
- Covers: epoxy powder coat




CEC Certifications and Compliances

- CSA Standard: C22.2 No. 25, C22.2 No. 30
- CSA Certified: 013017

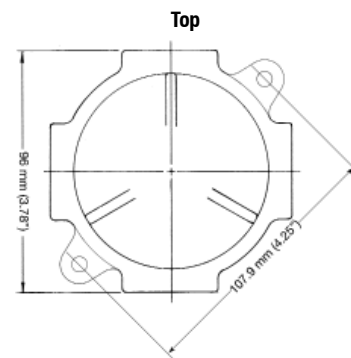
	Conduit Size (Inches)	Catalog Number	
		Malleable Iron	Aluminum
GRJS Universal Box with Cover			
<i>The Unilet has five threaded hubs, one in each of four sides and one in bottom. Three close-up plugs are furnished. Unilet opening is 2-9/16". Furnished with externally threaded blank surface cover and three close-up plugs. Supplied with o-ring.</i>			
	1/2	GRJS50-CN	GRJS50-ACN
	3/4	GRJS75-CN	GRJS75-ACN
	1	GRJS100-CN	GRJS100-ACN

GRJS Aluminum Covers

Furnished with internal threads.

	Surface Cover	GRJSKCN
	Sealing Cover	GRJSK-SCCN
	1/2" Hub Cover	GRJSK50-CN

Dimensions in Millimeters (Inches)



Side

