

# Fusible Disconnect switches



## Fusible disconnect switches 30A – 1200A, 600VAC

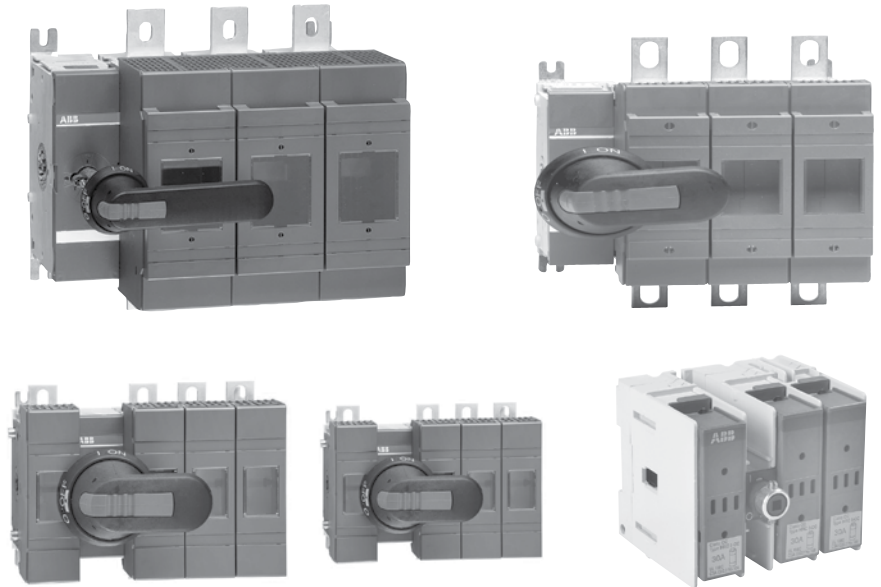


ABB PowerLine includes seven different amperage sizes from 30A to 1200A. All ABB fusible switches are designed to meet customer requirements in terms of high interrupting capacity and long electrical life while occupying little more panel space than the appropriate fuses. The basic construction provides flexibility and high performance in an extremely compact size. ABB PowerLine switches are a perfect choice to withstand the heat and humidity of the tropics, the extreme cold of the arctic and any rugged industrial environment you may have.

### International acceptance

ABB fusible switches are available with a wide range of fuse clip options:

UL	USA	CSA	Canada
DIN	Europe	BS	United Kingdom
NFC	France	Ultra-rapid	

As well as the corresponding approvals: UL listed, CSA approved, IEC rated, CE marked, and most other international standards.

**UL98 (CSA 22.2 No.4)** – UL File # E101914, CSA File #LR58077

*For 30A – 1200A switches, OH\_ pistol grip handles*

Suitable for use as motor disconnects or industrial control panel disconnects on service entrance equipment, panelboards, switchboards, industrial control equipment, motor control centers, etc. and are horsepower rated and ampere rated.

### IEC

Tested in accordance to IEC 947-1 and 3, IEC 664, IEC 269, and IEC 204

### CE

Compliance with the European Machine Directive IEC 204 (EN 60204)

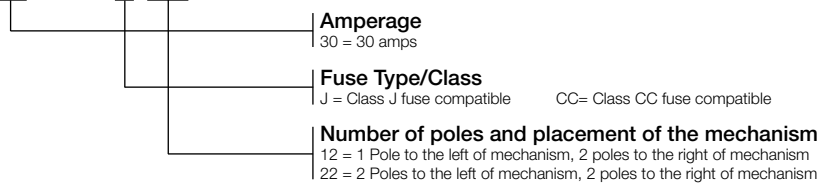
# Selection information

Disconnect  
switches  
Fusible

## Standard part number designation ①

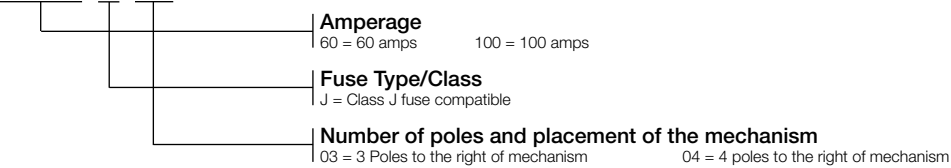
### Fusible OS Switches (30A)

**OS 30 F A J 22 F**



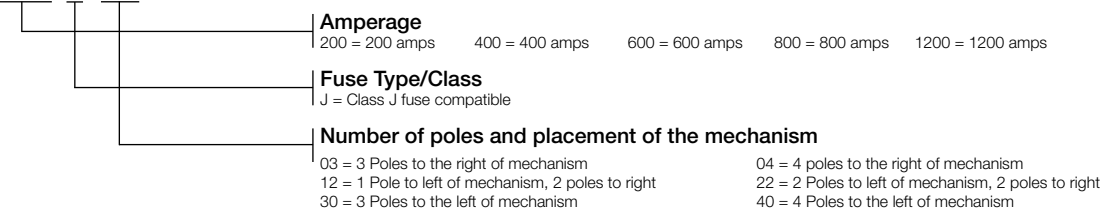
### Fusible OS Switches (60 to 100A)

**OS 100G J 03**



### Fusible OS Switches (200A and above)

**OS 200 J 04 F**



### Pistol Handles

**O H B 65 J 6 E011**



① Part designation keys are provided for reference only. Not all variations or configurations are available.

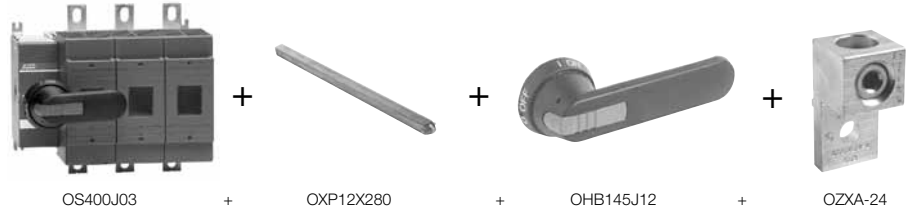
## Base & DIN rail mounted 30 – 1200A

For a complete assembly, please select one of each:

- 1 switch (page 19.22)
- 1 handle (page 19.30)
- 1 shaft (page 19.32)
- 1 terminal lug kit (page 19.34)

NOTE: For additional accessories, see pages 19.29 - 19.42.

(Only required for 100A & above.)



	UL general purpose amp rating	UL Fuse Type 600V	2 Pole	3 Pole	4 Pole
			Catalog number	Catalog number	Catalog number
UL 98	30	J CC ①	— —	OS30FAJ12 OS30FACC12	OS30FAJ22F OS30FACC22F
	60	J	—	OS60GJ12 ② OS60GJ03	OS60GJ22F
	100	J	—	OS100GJ12 ② OS100GJ03 ②	OS100GJ04F
	200	J	OS200J02	OS200J03 OS200J30 OS200J12	OS200J04F OS200J13F OS200J22F
	400	J	OS400J02	OS400J03 OS400J30 OS400J12	OS400J04F
	600	J	OS600J02	OS600J03 OS600J30 OS600J12	OS600J04F
	800	L	OS800L02	OS800L03	OS800L04F
	1200	L	OS1200L02	OS1200L03	OS1200L04F

① Rejection style fuses only.

② Din Rail Mountable: 60A & 100A requires Din Rail Adapter OSGZD1