

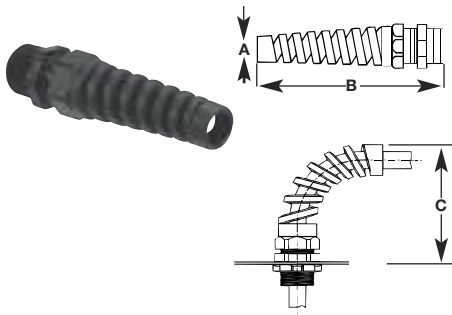
## Flexible Cord

### Nonmetallic Fittings

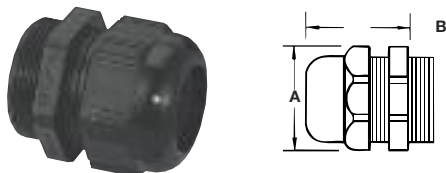
- Liquidtight and stainrelief
- Corrosion resistant polyamide (nylon)
- Vibration proof
- No twisted cords
- Indoor or outdoor use
- Quick installation
- Working temperatures: -30°C (-22°F) to 100°C (212°F) and up to 150°C (302°F) for short periods of time
- Resistant to: Salt water, weak acids, weak alkalis, alcohol, acetone, ether, benzene, gas, mineral oil, animal and vegetable oils



### CISLF-9-03 / CISLF-21-06 CISLFR-9-03 / CISLFR-21-06



### CISL-9-03 / CISL-21-06 CISL-29 / CISL-48 CISLR-9-03 / CISLR-21-06



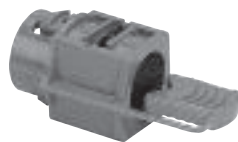
| Cat. No.  | Trade Size (in.) | KO Size (in.) | Dia. Over Cable Jacket (in.) |       | Throat (in.) | Dimensions (in.) |        |       |
|---|------------------|---------------|------------------------------|-------|--------------|------------------|--------|-------|
|   |                  |               | Min.                         | Max.  |              | A                | B      | C     |
| <b>"Skintight" Straight Cord Fittings (Nylon)</b> |                  |               |                              |       |              |                  |        |       |
| CISLR-9-03  | 3/8              | 3/8           | 0.079                        | 0.236 | 0.375        | 3/4              | 1      | —     |
| CISL-9-03   | 3/8              | 3/8           | 0.187                        | 0.312 | 0.375        | 3/4              | 1      | —     |
| CISLR-13-04                                       | 1/2              | 1/2           | 0.197                        | 0.354 | 0.500        | 15/16            | 1-1/8  | —     |
| CISL-13-04  | 1/2              | 1/2           | 0.270                        | 0.480 | 0.500        | 15/16            | 1-1/8  | —     |
| CISLR-21-04                                       | 1/2              | 1/2           | 0.354                        | 0.629 | 0.600        | 1-5/16           | 1-3/16 | —     |
| CISL-21-04  | 1/2              | 1/2           | 0.545                        | 0.709 | 0.600        | 1-5/16           | 1-3/16 | —     |
| CISLR-21-06                                       | 3/4              | 3/4           | 0.354                        | 0.629 | 0.667        | 1-5/16           | 1-3/16 | —     |
| CISL-21-06  | 3/4              | 3/4           | 0.545                        | 0.709 | 0.667        | 1-5/16           | 1-3/16 | —     |
| <b>90° "Skintight" Cord Fittings (Nylon)</b>      |                  |               |                              |       |              |                  |        |       |
| CISLFR-9-03                                       | 3/8              | 3/8           | 0.079                        | 0.236 | 0.375        | 5/16             | 2-7/16 | 1-3/4 |
| CISLF-9-03  | 3/8              | 3/8           | 0.187                        | 0.312 | 0.375        | 5/16             | 2-7/16 | 1-3/4 |
| CISLFR-13-04                                      | 1/2              | 1/2           | 0.197                        | 0.354 | 0.500        | 1/2              | 3-1/2  | 2-1/4 |
| CISLF-13-04                                       | 1/2              | 1/2           | 0.270                        | 0.480 | 0.500        | 1/2              | 3-1/2  | 2-1/4 |
| CISLFR-21-04                                      | 1/2              | 1/2           | 0.354                        | 0.629 | 0.600        | 3/4              | 4-1/2  | 3     |
| CISLF-21-04                                       | 1/2              | 1/2           | 0.545                        | 0.709 | 0.600        | 3/4              | 4-1/2  | 3     |
| CISLFR-21-06                                      | 3/4              | 3/4           | 0.354                        | 0.629 | 0.667        | 3/4              | 4-1/2  | 3     |
| CISLF-21-06                                       | 3/4              | 3/4           | 0.545                        | 0.709 | 0.667        | 3/4              | 4-1/2  | 3     |



| Cat. No.   | Trade Size (in.) | Drill Hole (in.) | Dia. Over Cable Jacket (in.) |       | Throat (in.) | Dimensions (in.) |       |
|--|------------------|------------------|------------------------------|-------|--------------|------------------|-------|
|  |                  |                  | Min.                         | Max.  |              | A                | B     |
| <b>"Skintight" Metric Thread, Straight Cord Fittings (Nylon)</b> |                  |                  |                              |       |              |                  |       |
| CISL-29  | PG29             | 1-1/2            | 0.709                        | 0.984 | 1.175        | 1-11/16          | 1-5/8 |
| CISL-36  | PG36             | 1-7/8            | 0.866                        | 1.260 | 1.436        | 2-1/8            | 2     |
| CISL-42  | PG42             | 2-3/16           | 1.260                        | 1.495 | 1.712        | 2-3/8            | 2-1/8 |
| CISL-48  | PG48             | 2-3/8            | 1.457                        | 1.732 | 1.920        | 2-5/8            | 2-1/8 |

### CI3360

Dry Location



| Cat. No.                    | Trade Size (in.) | KO Size (in.) | Clamping Range (in.) |      |
|-----------------------------|------------------|---------------|----------------------|------|
|                             |                  |               | Min.                 | Max. |
| <b>Nonmetallic Fittings</b> |                  |               |                      |      |
| CI3360                      | 1/2              | 1/2           | 0.30                 | 0.60 |

Complete with metric locknut  
Working temperatures : -30°C (-22°F) to 80°C (176°F)

### CI1703-PL\* / CI1706-PL\*



| Cat. No.              | Trade Size (in.) |
|-----------------------|------------------|
| <b>Nylon Locknuts</b> |                  |
| CI1703-PL*            | 3/8              |
| CI1704-PL*            | 1/2              |
| CI1706-PL*            | 3/4              |

\* Not CSA certified

## Rigid Conduit

### Locknuts



|                 |           | Cat. No.  |           |        | Trade Size (in.) |
|-----------------|-----------|-----------|-----------|--------|------------------|
| Steel           | Aluminum  | Nylon     | Sealing   | Zinc   |                  |
| <b>Locknuts</b> |           |           |           |        |                  |
| —               | —         | CI1703-PL | —         | —      | 3/8              |
| CI1704          | CI1704-AL | CI1704-PL | CI1704-SL | LN-201 | 1/2              |
| CI1706          | CI1706-AL | CI1706-PL | CI1706-SL | LN-202 | 3/4              |
| CI1708          | CI1708-AL | —         | CI1708-SL | LN-203 | 1                |
| CI1710          | CI1710-AL | —         | CI1710-SL | LN-204 | 1-1/4            |
| CI1712          | CI1712-AL | —         | CI1712-SL | LN-205 | 1-1/2            |
| CI1716          | CI1716-AL | —         | CI1716-SL | LN-206 | 2                |
| CI1720          | CI1720-AL | —         | CI1720-SL | LN-207 | 2-1/2            |
| CI1724          | CI1724-AL | —         | CI1724-SL | LN-208 | 3                |
| CI1728          | CI1728-AL | —         | CI1728-SL | LN-209 | 3-1/2            |
| CI1732          | CI1732-AL | —         | CI1732-SL | LN-210 | 4                |
| CI1740          | —         | —         | —         | —      | 5                |
| CI1748          | —         | —         | —         | —      | 6                |

CI1704 / CI1748



CI1703-PL / CI1706-PL



LN-201 / LN-210



CI1704-AL / CI1732-AL



CI1704-SL / CI1732-SL

