

## Accessory Products



### Breather Kit (Pressure Compensation Plug)



- Packaged individually.
- Provides for controlled pressure compensation due to temperature variations (i.e. night/day operation).
- Recommend two plugs per cabinet in opposite locations.
- Minimum cutout diameter 1.46"

Part No.	Dimensions (Diameter x Depth)	Ship Wt. lbs
<b>SDA412</b>	2.6" x 1.2"	1

<b>Mounting:</b>	PG 29 (1.14") thread with union nut, minimum cutout diameter
<b>Material:</b>	Polycarbonate UL94VO
<b>Protection:</b>	IP45
<b>Color:</b>	RAL 7032 beige



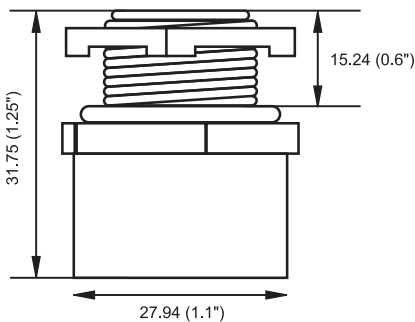
### Breather Kit (Pressure Compensation Plug)



- Packaged individually.
- Provides for controlled pressure compensation due to temperature variations (i.e. night/day operation).
- Recommend two plugs per cabinet in opposite locations.
- Pipe Thread M20 1.5 pitch (actual dia. 0.76")

<b>Part No.</b>	<b>BDN4XN1</b>
-----------------	----------------

<b>CSA/A Ex Approvals:</b>	Class I, Zone 1, Ex e II Class I Division 2 Groups ABCD Class II EFG, Class III
<b>Ingress Protection:</b>	IP66, CSA Enclosure Type NEMA 4X
<b>Impact Resistance:</b>	20Nm (7Nm GF Nylon)
<b>Materials:</b>	Durethan BKV 30 N1 30% Glass Filled Nylon O Ring - Nitrile Fixing nut - Brass
<b>Operating Temp:</b>	-50C to +85C



Climate Control