

Jacketed Metal Clad Cable Termination Fittings



STE Series Ordinary



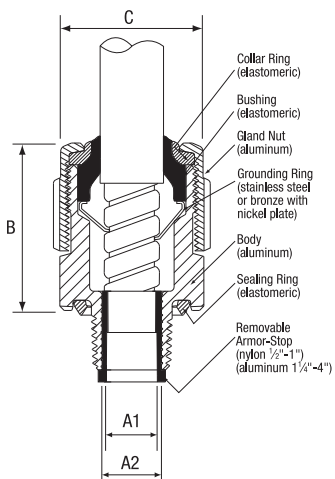
STEX Series Hazardous Locations



STAR TECK EXTREME® Jacketed Metal-Clad Cable Fittings

T&B Fittings

CAT. NO.	HUB SIZE NPT	STRIP LENGTH (IN.)	GLAND TORQUE (IN.-LB.)	CABLE RANGE OVER JACKET (IN.)		CABLE RANGE OVER ARMOR (IN.)		DIMENSIONS (IN.)				SEALING COMPOUND REQUIRED	
				MIN.	MAX.	MIN.	MAX.	A1: THROAT DIA. MIN. W/END STOP	A2: THROAT DIA. MIN. WO/END STOP	B OVERALL	C MAX. O.D.	SC65 PUTTY (G)	SC4-KIT LIQUID (CC)
Ordinary Locations													
ST050-462#	½	1¼	300	.525	.650	.415	.570	N/A*	.395	2.020	1.224	—	—
STE050DATA**#	½	¾	300	.592	.693	.502	.603	.375	.515	2.100	1.360	—	—
STE050*	½	1¼	300	.600	.985	.520	.895	.505	.612	2.650	1.630	—	—
STE075*	¾	1¼	600	.860	1.205	.780	1.125	.655	.816	2.900	2.080	—	—
STE100*	1	1¼	700	.950	1.375	.870	1.295	.785	1.044	3.020	2.300	—	—
STE125*	1¼	1¼	1,000	1.150	1.625	.990	1.465	.970	1.250	4.010	2.820	—	—
STE150*	1½	1¼	1,200	1.440	1.965	1.280	1.805	1.260	1.562	4.290	3.250	—	—
STE200*	2	1¼	1,600	1.825	2.375	1.665	2.215	1.645	1.995	4.120	3.600	—	—
STE250	2½	2½	1,600	2.265	2.840	2.105	2.680	2.075	2.424	5.320	4.750	—	—
STE300	3	2½	1,600	2.670	3.270	2.545	3.145	2.531	2.890	5.400	5.400	—	—
STE350	3½	2½	1,600	3.220	3.870	3.090	3.640	3.065	3.460	5.360	5.900	—	—
STE400	4	2½	1,600	3.665	4.340	3.550	4.225	3.525	3.941	5.415	6.400	—	—
Hazardous Locations													
STX050-462*	½	1¼	300	.525	.650	.415	.570	N/A*	.395	2.500	1.630	7	4
STX050-464*	½	1¼	300	.600	.760	.490	.680	N/A*	.485	2.530	1.630	7	4
STEX075*	¾	1¼	600	.600	.985	.520	.895	.504	.678	3.400	1.820	14	7
STEX100*	1	1¼	700	.860	1.205	.780	1.125	.650	.833	3.580	2.300	30	16
STEX125*	1¼	1¼	1,000	.950	1.375	.870	1.295	.834	1.065	3.920	2.510	45	22
STEX150*	1½	1¼	1,200	1.150	1.625	.990	1.465	.958	1.273	5.020	3.260	80	43
STEX200*	2	1¼	1,600	1.440	1.965	1.280	1.805	1.250	1.560	5.120	3.620	125	66
STEX250	2½	2½	1,600	1.825	2.375	1.665	2.215	1.640	1.995	5.170	4.580	341	164
STEX300	3	2½	1,600	2.265	2.840	2.105	2.680	2.075	2.461	6.610	5.100	497	239
STEX350	3½	2½	1,600	2.670	3.270	2.545	3.145	2.531	2.864	7.380	5.790	965	464
STEX400	4	2½	1,600	3.220	3.870	3.090	3.640	3.055	3.461	7.650	6.190	1323	636
STX400-484#	4	—	1,600	3.810	4.030	3.680	3.870	—	—	—	—	1645	791
STX400-485#	4	—	1,600	3.965	4.185	3.835	4.025	—	—	—	—	1645	791



To specify other material, add the appropriate suffix to the category number.

DESIRED MATERIAL	SUFFIX	EXAMPLE
Aluminum fitting with grounding lock nut	GRL	STE-050GRL
Steel with zinc plate	S	STE-050S
Aluminum with PVC coating	PVC	STE-050PVC
Steel with PVC coating	S-PVC	STE-050S-PVC

* These products are UL Listed Watertight NEMA Type 6P

** UL tested for data cables

Does not have a removable armor stop.

Sealing Compounds — Used for Hazardous Locations

CAT. NO.	DESCRIPTION	VOLUME
SC65	Putty Type Sealing Compound	60 grams
SC4-KIT	Liquid Type Sealing Compound for use in high wire density applications (5 or more wires)	2.8 fl. oz. (66 cc)