

GPM SERIES Panel Mount Fuse Holders

Mersen GPM panel mount fuse holders are in sizes to accommodate Class CC and midget (1-1/2" x 13/32") fuses. All 30A holders have glass-filled thermoplastic insulators for extra dependability and trouble-free installation. Patented design allows same body to accept screw or bayonet knob. Flange design allows front or rear mounting.

Catalog Numbers & Descriptions

Catalog No.	Fig.	Cap Type	Amps	Volts	Fuse Type	Terminal Type
GPM-S	1	Screw Knob	30	600	1-1/2" x 13/32"	1/4" Quick-connect/ Solder
GPM-S90	2	Screw Knob	30	600	1-1/2" x 13/32"	1/4" Quick-connect/ Solder, Right Angle
GPM-SRR	1	Screw Knob	30	600	Class CC	1/4" Quick-connect/ Solder
GPM-SRR90	2	Screw Knob	30	600	Class CC	1/4" Quick-connect/ Solder, Right Angle
GPM-B	1	1/4 Turn Bayonet Knob	30	600	1-1/2" x 13/32"	1/4" Quick-connect/ Solder
GPM-B90	2	1/4 Turn Bayonet Knob	30	600	1-1/2" x 13/32"	1/4" Quick-connect/ Solder, Right Angle
GPM-BRR	1	1/4 Turn Bayonet Knob	30	600	Class CC	1/4" Quick-connect/ Solder
GPM-BRR90	2	1/4 Turn Bayonet Knob	30	600	Class CC	1/4" Quick-connect/ Solder, Right Angle
GPM-WT	1	Water-tight Screw Knob	30	600	1-1/2" x 13/32"	1/4" Quick-connect/ Solder
GPM-WT90	2	Water-tight Screw Knob	30	600	1-1/2" x 13/32"	1/4" Quick-connect/ Solder, Right Angle
GPM-WTR	1	Water-tight Screw Knob	30	600	Class CC	1/4" Quick-connect/ Solder
GPM-WTR90	2	Water-tight Screw Knob	30	600	Class CC	1/4" Quick-connect/ Solder, Right Angle



Ratings:

- Volts** : 600VAC / DC
- Amps** : 30A Maximum
- SCCR** : 200kA (Class CC Fuses)
: 100kA (Midget Fuses)

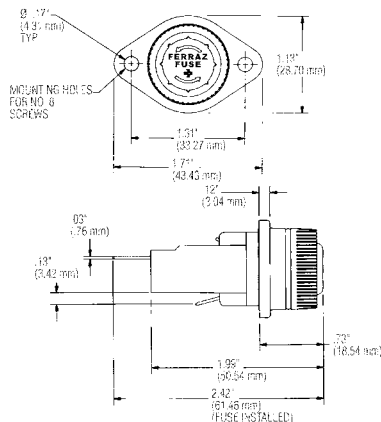


Figure 1

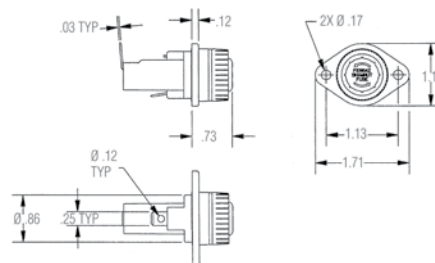


Figure 2

Recommended Fuse Usage:

GPM Fuse Holders will accommodate these Mersen fuses:

- GPM-SRR, GPM-BRR, GPM-WTR:** ATQR, ATDR, ATMR,
- GPM-SRR90, GPM-BRR90, GPM-WTR90:** ATQR, ATDR, ATMR,
- GPM-S, GPM-B, GPM-WT:** ATQ, ATM, TRM, OTM, GGU, A13X-2, A25Z-2, A60Q-2, A6Y-2B,
- GPM-S90, GPM-B90, GPM-WT90:** ATQ, ATM, TRM, OTM, GGU, A13X-2, A25Z-2, A60Q-2, A6Y-2B

Approvals:

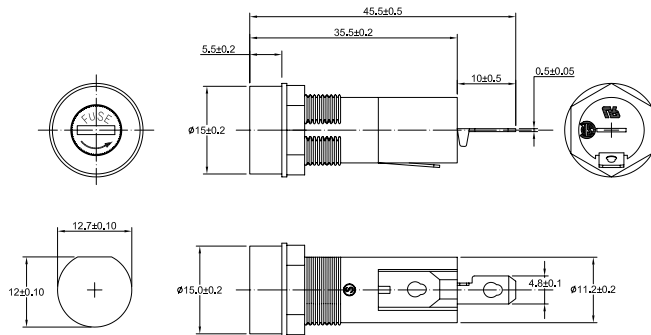
- UL Recognized, guide IZLT2, File E52283
- CSA Certified - C22.2, class 6225, File 32169



GPM SERIES Panel Mount Fuse Holders



GPM-A11



Catalog No.	Cap Type	Volts	Amps	Fuse Size	Terminal Type	Approvals
GPM-G	Finger-grip/Screw-in	250	15	3AG	3/16" Solder/QC	UR/CSA
GPM-G1	Finger-grip/Screw-in	250	10	3AG	3/16" Solder/QC	UR/CSA
GPM-G2	Finger-grip/Screw-in	250	10	3AG	Solder	
GPM-G3	Screwdriver Slot	250	10	3AG	Solder	UR/CSA
GPM-G5	Finger-grip/Bayonet	250	10	3AG	1/4" Solder/QC	UR/CSA
GPM-G6	Finger-grip/Bayonet	250	10	3AG	Solder	UR/CSA
GPM-G7	Screwdriver Slot	250	15	3AG	3/16" Solder/QC	UR/CSA
GPM-G8	Finger-grip/Screw-in	250	15	3AG	Quick-connect	

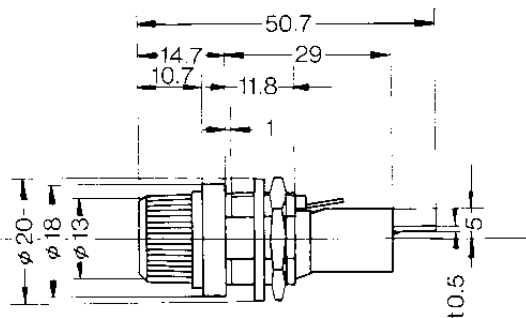
Recommended Fuse Usage:

GPM-G: GGC, GDL, GSA, GAB

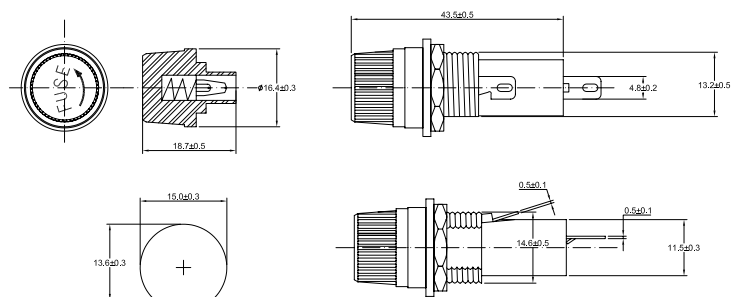
All dimensions mm's



GPM-G



GPM-G1



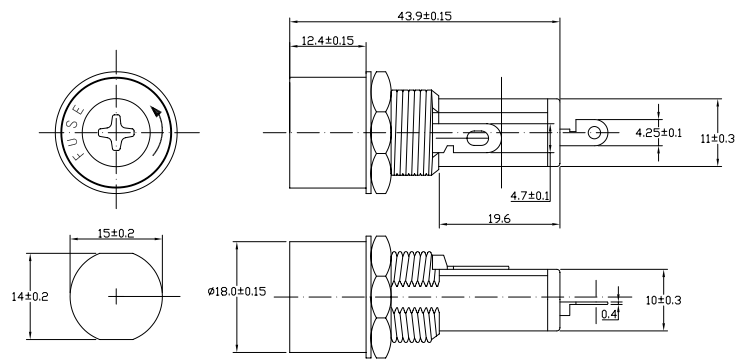
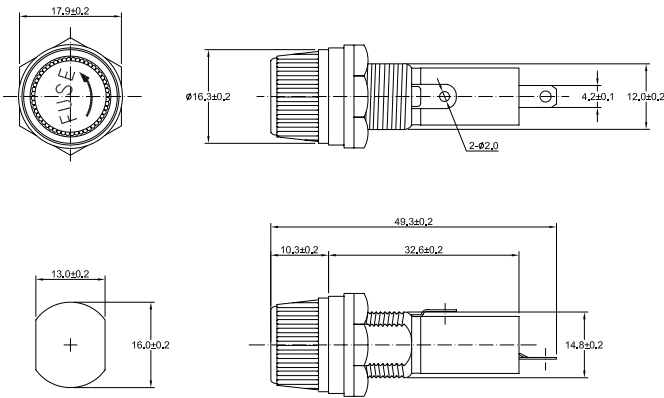
GPM SERIES Panel Mount Fuse Holders



GPM-G2



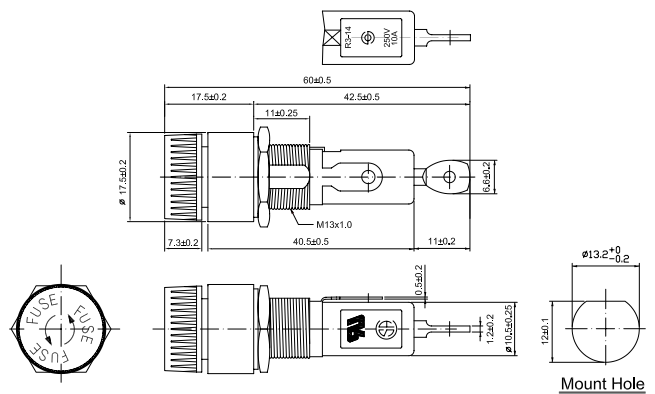
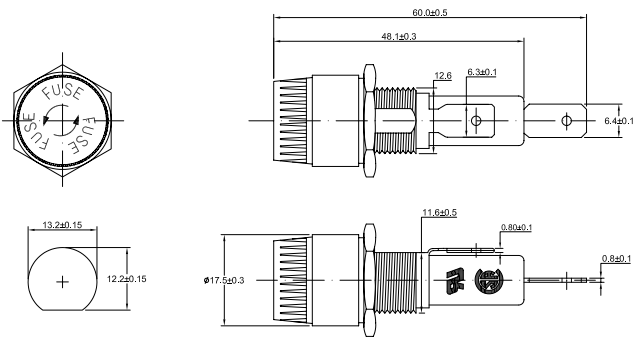
GPM-G3



GPM-G5



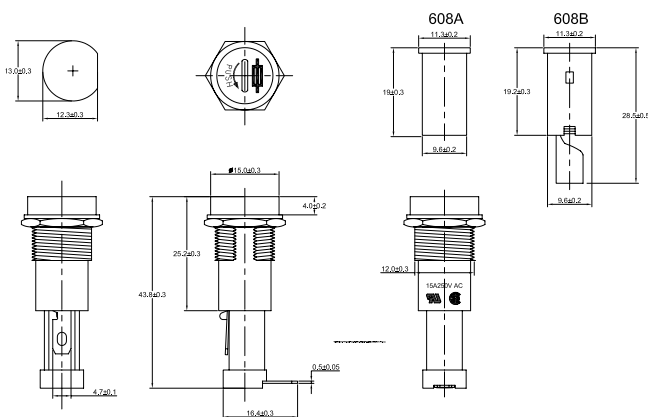
GPM-G6



GPM SERIES Panel Mount Fuse Holders



GPM-G7



GPM-G8

