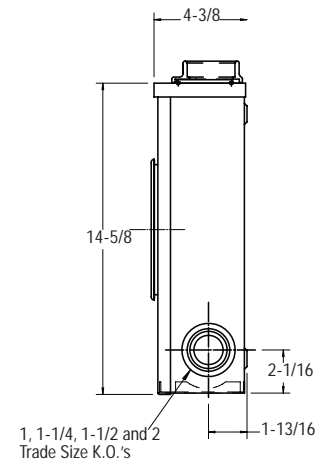
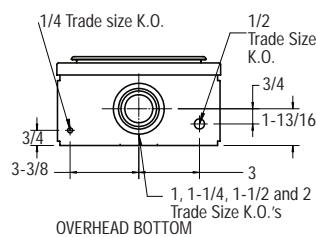
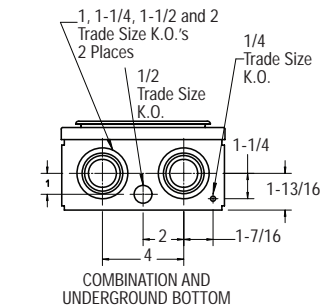


KING SIZE METER SOCKETS • 100 AMP. 600 VOLTS MAX.

Product Specifications

- Conductor range: 6-1/0 AWG
- Aluminum tunnel type connectors
- Supplied with screw type ring
- Weatherproof Type 3R enclosure
- **Primarily used in:** All provinces

NOTE: Supply from an underground network often requires use of stud type receptacle. Consult your local utility.



Dimensions are in inches

Ordering Information

CATALOGUE NUMBER	DESCRIPTION	DIMENSIONS (inches)			WEIGHT EACH	
		H	W	D	lb	kg
4 JAW						
BE1-V	Overhead, hub opening	14-5/8	8-1/4	4-3/8	8	3.6
BE1-1 ¹ / ₄ V	Overhead, hub opening, c/w 1-1/4" hub	14-5/8	8-1/4	4-3/8	8	3.6
BE1-1 ¹ / ₂ V	Overhead, hub opening, c/w 1-1/2" hub	14-5/8	8-1/4	4-3/8	8	3.6
BE1-TV	Underground	14-5/8	8-1/4	4-3/8	8	3.6
BE1-TCV	Combination overhead-underground	14-5/8	8-1/4	4-3/8	8	3.6
BE11-V-CM	Overhead, twin hub opening	14-5/8	8-1/4	4-3/8	8	3.6
BE11-1 ¹ / ₄ V	Overhead, twin hub opening c/w 1-1/4" hub	14-5/8	8-1/4	4-3/8	8	3.6
FACTORY-INSTALLED ACCESSORIES						
Include: -5	5 th jaw, standard capacity, 9 o'clock position					
-9	5 th jaw, full capacity, 9 o'clock position					
-6	5 th jaw, full capacity, 6 o'clock position					
-IN	Insulated neutral					
-W	Water heater lugs					

 Approved for copper or aluminum.