

POWER MANAGEMENT

Power Supplies

PART NO.	PRODUCT	DESCRIPTION
PW1030	24 V DC, 30 W Desk-Mount Power Supply	Powers the Selective Call Intercom System.
PW1006	Twin Power Supply Bracket	Enables stacking of two Desk-Mount Power Supplies in the enclosure.
PW7760	12 V, 18 W Power Supply	Powers data networking and video products.
PW7725	12 V, 2.5 Amp Power Supply	Provides power for the Broadcast Intercom module.
F7715	15 V, 1.45 Amp Power Supply	An independent power transformer for camera & power dist. modules.
PW1060	24 V 60 W Power Supply	Powers the lyriQ Audio Module, LCD Module and Universal Power Distribution Module.
PW1100	24 V 100 W Power Supply	Powers the lyriQ Audio Module, LCD Module and Universal Power Distribution Module.
PW1248	48 VDC 100 W Power Supply	Powers the DA1048 PoE Gigabit Switch.

DA2401

High Performance Power Over Ethernet Injector



DA2401

HIGH PERFORMANCE POWER OVER ETHERNET INJECTOR

This compact 4-port device is designed to easily mount into any On-Q enclosure and provide 30 watts of power for a variety of PoE compatible devices like touchscreens and IP cameras. Provides up to 30 watts of power via Cat 5e/Cat 6 cabling.

- 802.3at compliant
- Connects up to four devices
- Superior safety with built-in overload and short-circuit protection
- For connecting wireless access points, IP cameras, touchscreens and IP phones

Notes: Mounts to the AC1025 DA24XX series mounting plate.

DA2400

Power Over Ethernet Injector



DA2400

POWER OVER ETHERNET INJECTOR

This compact 4-port device is designed to easily mount into any On-Q enclosure and provide power for a variety of PoE compatible devices such as touchscreens and IP cameras.

- 802.3af compliant
- Provides up to 15.4 watts of power via Cat 5e/Cat 6 cabling
- Connects up to four devices
- Superior safety with built-in overload and short-circuit protection
- For connecting wireless access points, IP cameras, touchscreens and IP phones

Notes: Mounts to the AC1025 DA24XX series mounting plate.

AC1025

Power Over Ethernet Mounting Plate



AC1025

POWER OVER ETHERNET MOUNTING PLATE

- Four positions for mounting DA24xx products in one of two orientations
- Eight screws used for securing the DA24xx products to the mounting plate from the rear of the plate
- Two plunger grommet assemblies for installing the plate in an On-Q style enclosure



POWER MANAGEMENT

Accessories



AC1031 Enclosure Power Strip Module, Half-Width



AC1031

ENCLOSURE POWER STRIP MODULE, HALF-WIDTH

Six outlet high-density half-width power strip module designed for On-Q Enclosures.

364569-02-V1 Duplex Outlet Power Kit, Surge Protected



364569-02-V1

DUPLEX OUTLET POWER KIT, SURGE PROTECTED

This power kit includes duplex power outlet, metal "J" box, and faceplate kit.

PART NO.	PRODUCT	DESCRIPTION
F7526	AC Power Kit	The AC power kit includes metal "J" electrical box, white duplex receptacle and white faceplate for a complete installation.

Power Supplies

	PART #	DESCRIPTION	VOLTAGE	AMP	POWER SUPPLY	USE W/ UPDM*
UNITY	HA6001	Integration Module	24	2.5	PW1060	No
	HA6101	Integration Expansion Module	24	2.5	PW1060	No
	HA5202	TVDI Expander Module	24	1.25	PW1030	Yes
AUDIO	AU1001	lyriQ High Performance Keypad Power Module	24	2.5	PW1060	No
	AU1002/AU7396	Standard Performance System	24	2.5	PW1060	No
	AU1002/AU7396	System with 1 or 2 high performance keypads	24	5	PW1120	No
	AU1002/AU7396	System with 5 or 6 high performance keypads	24	10	PW1240	No
DATA	VM7632	2X2 Enhanced Bi-Directional Video Amplifier Module	12-15	250 mA	PW7760	Yes
	VM7640	1X1 Bi-Directional Video Amplifier Module	12-15	150 mA	PW7760	Yes
	DA1101	802.11n Wireless Access Point	48VDC PoE	200 mA	Included	Yes
	DA1002	5 Port 10/100 Ethernet Switch in single module bay	12-15	300 mA	PW7760	Yes
	DA1004	4 Port 10/100 Ethernet Switch in single module bay	12		PW7760	
	DA1054	4-Port Gigabit Router/Switch	12		PW7760	Yes
CAMERAS	DA1008	8 Port 10/100 Ethernet Switch in single module bay	12		PW7760	
	DA1458	8-Port Gigabit Switch with PoE	48		PW1248	Yes
	CM1010	LCD Display Module	24	2.5	PW1060	No
	CM1011	Cat 5e Camera Module	12	800 mA	PW7725	Yes
	CM1048	Combo Camera & LCD Module	24	2.5	PW1060	No
	F1003	Frequency Agile Mono Modulator, 3 Channel	15	300 mA	Included	Yes
INTERCOMS	IC1000 (All)	Broadcast Intercom Module (standalone)	12	2.5	PW7725	Yes
	IC1002-XX (All)	Broadcast Intercom Module And Main Console	12	2.5	PW7725	Yes
	IC5001	Selective Call Intercom Module	24	1.5	PW1030	Yes

* UPDM = Universal Power Distribution Module

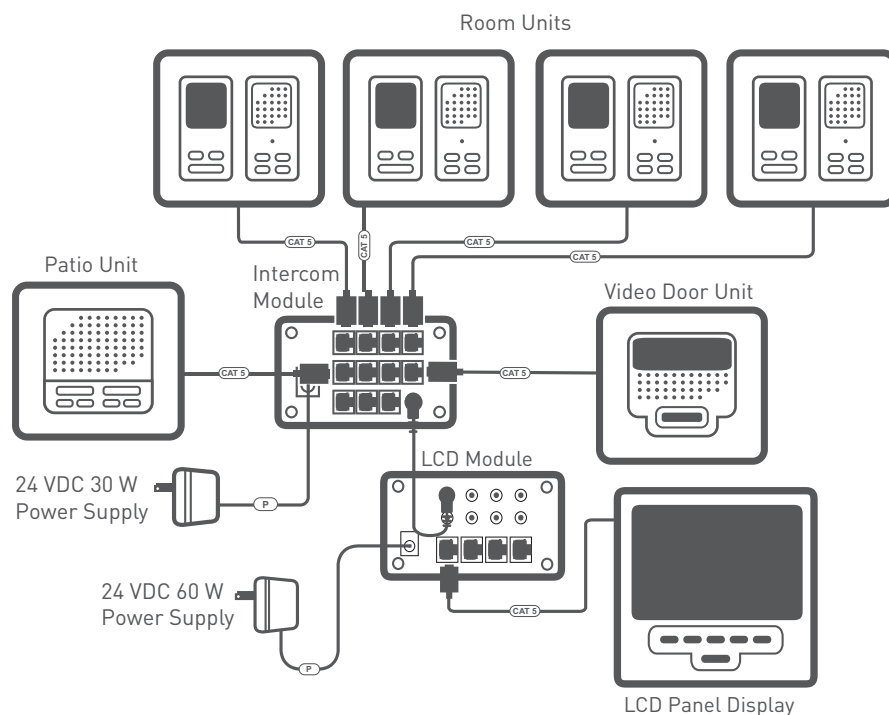


ULTIMATE INTERCOM SOLUTION

Bill Of Materials

This high performance Selective Call Intercom solution includes a front door camera and a wall-mounted LCD display (for camera viewing only) for enhanced safety and security.

PRODUCT	PART #	QUANTITY	PAGE
Selective Call Intercom Module	IC5001	1	140
Selective Call Intercom Room Unit	IC5000-XX	4	139
Selective Call Intercom Patio Unit	IC5004-XX	1	139
Selective Call Video Door Unit	IC5003-XX	1	139
24 V DC 30 W Power Supply	PW1030	1	39
LCD Console	HA5000-XX	1	154
LCD Module	CM1010	1	83
RCA to RCA Patch Cable	CM1017	1	153
24 V DC, 60 W Power Supply	PW1060	1	29

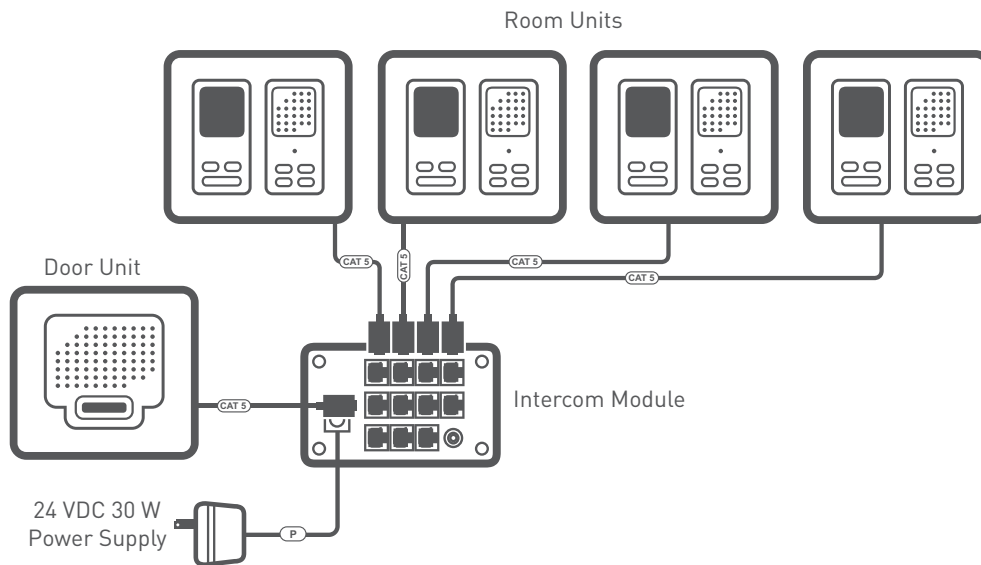


PREMIUM INTERCOM SOLUTION

Bill Of Materials

Simplify home communication with this four-room selective call intercom solution.

PRODUCT	PART #	QUANTITY	PAGE
Selective Call Intercom Module	IC5001	1	82
Selective Call Intercom Room Unit	IC5000-XX	4	139
Selective Call Intercom Door Unit	IC5002-XX	1	139
24 V DC 30 W Power Supply	PW1030	1	30



FRONT DOOR INTERCOM SOLUTION

Bill Of Materials

Let your customers greet visitors with a Front Door Intercom Solution.

PRODUCT	PART #	QUANTITY	PAGE
Selective Call Intercom Module	IC5001	1	82
Selective Call Intercom Room Unit	IC5000-XX	1	139
Selective Call Video Door Unit	IC5003-XX	1	139
24 V DC 30 W Power Supply	PW1030	1	30
1 Gang, 1 Port Wall Plate	WP3401	1	17

