

BE2 Series



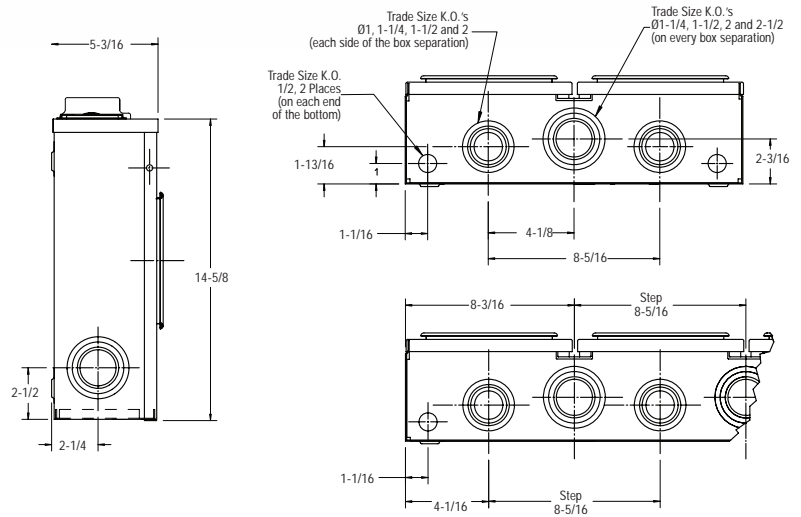
HORIZONTAL METER TROUGHS • 100 AMP. PER POSITION. • 200 AMP. 600 VOLTS MAX.



Product Specifications

- Conductor range: Line: 6 AWG-250 kcmil
Load: 6-1/0 AWG
- Aluminum tunnel type connectors
- Factory prebussed from main lugs to each position
- Combination overhead-underground supplied with hub opening closure plate for underground service
- Hubs to be ordered separately (refer to page 35)
- Supplied with screw type rings
- Weatherproof Type 3R enclosure
- **Primarily used in:** All provinces

NOTE: Supply from an underground network often requires use of stud type receptacle. Consult your local utility.



Dimensions are in inches

Ordering Information

CATALOGUE NUMBER		METER POSITION	DIMENSIONS (inches)			WEIGHT EACH	
			H	W	D	lb	kg
4 JAW							
LEFT-HAND ENTRY	RIGHT-HAND ENTRY						
BE2-V	BE2-VH	2 position	14-5/8	16	5-3/16	18	8.1
BE3-V	BE3-VH	3 position	14-5/8	24	5-3/16	26	11.8
BE4-V	BE4-VH	4 position	14-5/8	32	5-3/16	34	15.4
BE5-V	BE5-VH	5 position	14-5/8	40	5-3/16	42	19.0
BE6-V	BE6-VH	6 position	14-5/8	48	5-3/16	50	22.7
FACTORY-INSTALLED ACCESSORIES							
Include: -IN		Insulated Neutral					
-5		5 th jaw, standard capacity, 9 o'clock position					

Approved for copper or aluminum.