



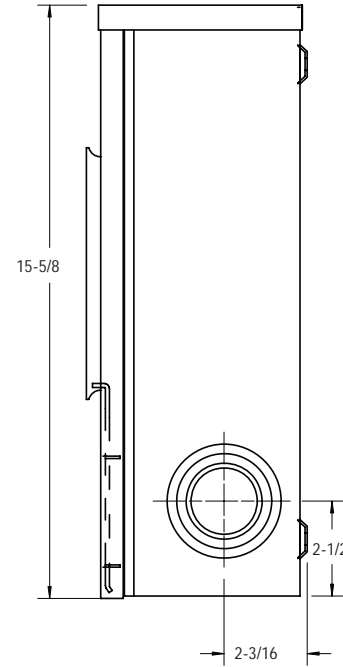
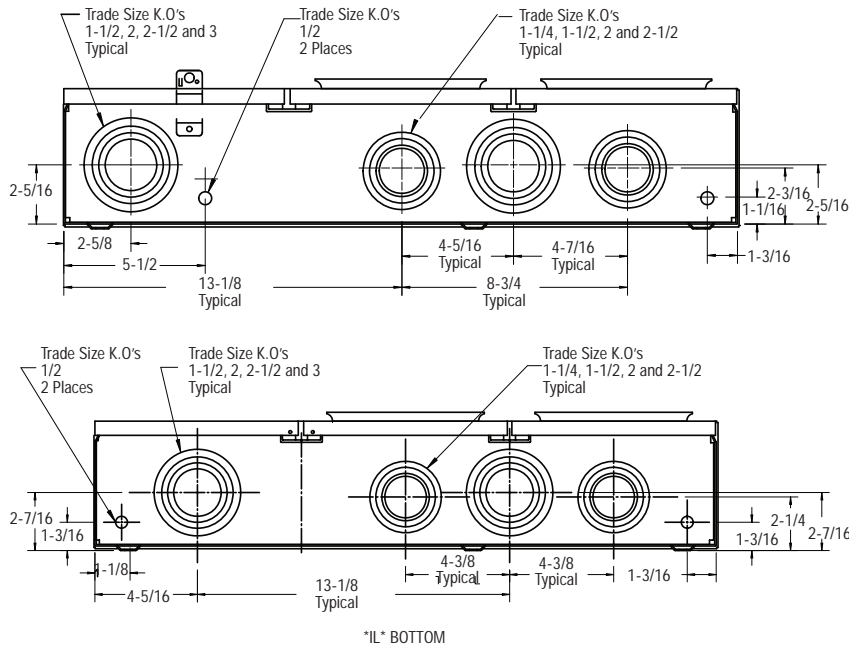
HORIZONTAL METER TROUGHS, 200 AMP. PER POSITION • 200 AMP. 600 VOLTS MAX. MAIN LUGS, STUD TYPE



Product Specifications

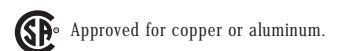
- Conductor range: Line: Single 1/2" studs to accommodate compression lugs  
Load: 6 AWG-250 kcmil
- For underground service only
- Aluminum tunnel type connectors (load side)
- Factory prebussed from main lugs to each position
- Supplied with screw type ring
- Weatherproof Type 3R enclosure

Hydro-Québec and BC Hydro require that the locking system be located inside the meter through.



Note: Pattern for bottoms. Left hand entry is shown. For right-hand entry, unit is manufactured symmetrically with hub openings, knock-out and line connections on right side.

Dimensions are in inches



HORIZONTAL METER TROUGHS, 200 AMP. PER POSITION • 200 AMP. 600 VOLTS MAX. MAIN LUGS, STUD TYPE

## Ordering Information

CATALOGUE NUMBER		METER POSITION	DIMENSIONS (inches)			WEIGHT EACH	
			H	W	D	lb	kg
<b>4 JAW (For usage in the provinces of Quebec and British Columbia)</b>							
LEFT-HAND ENTRY	RIGHT-HAND ENTRY						
<b>BDC2-V</b>	<b>BDC2-VH</b>	2 position	15-5/8	26-1/4	5-1/4	30	13.6
<b>BDC3-V</b>	<b>BDC3-VH</b>	2 position	15-5/8	35	5-1/4	42	19.0
<b>BDC4-V</b>	<b>BDC4VH</b>	3 position	15-5/8	43-3/4	5-1/4	54	24.5

CATALOGUE NUMBER		METER POSITION	DIMENSIONS (inches)			WEIGHT EACH	
			H	W	D	lb	kg
<b>4 JAW (For usage in the provinces of Quebec and British Columbia)</b>							
LEFT-HAND ENTRY	RIGHT-HAND ENTRY						
<b>BDC2-VIL</b>	<b>BDC2-VHIL</b>	2 position	15-5/8	26-1/4	5-1/4	30	13.6
<b>BDC2-VAIL</b>		2 position c/w lug	15-5/8	26-1/4	5-1/4	30	13.6
<b>BDC3-VIL</b>		3 position	15-5/8	35	5-1/4	42	19.0
<b>BDC3-VAIL</b>		3 position c/w lug	15-5/8	35	5-1/4	42	19.0
<b>BDC4-VIL</b>		4 position	15-5/8	43-3/4	5-1/4	54	24.5
<b>BDC4-VAIL</b>		4 position c/w lug	15-5/8	43-3/4	5-1/4	54	24.5