

MO2 Series

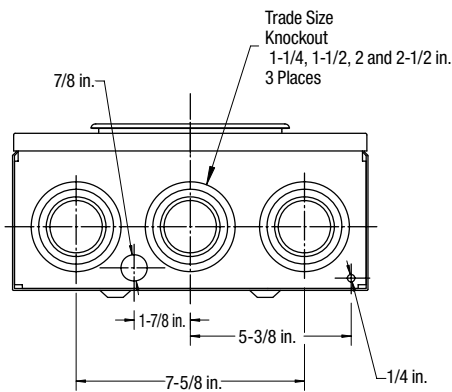
200 A 600 V; Underground Only

Product Specifications

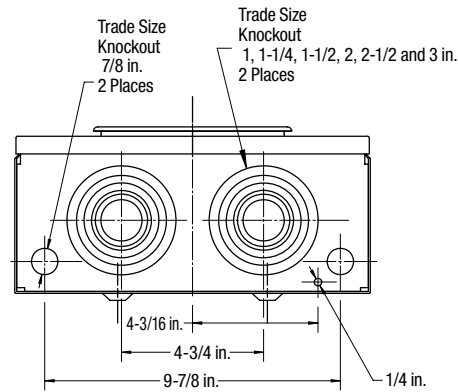
- Conductor Range: Line: Single 1/2 in. studs to accommodate compression lugs 350 kcmil max. (supplied by utility), Load: 6 AWG-250 kcmil
- For underground service only
- Aluminum tunnel type connectors for load side, 1/2 in. studs on line side
- Supplied with screw type ring
- Weatherproof Type 3R enclosure
- Primarily used in: Sask., Man., Ont., Que.



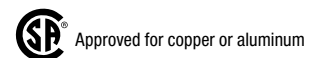
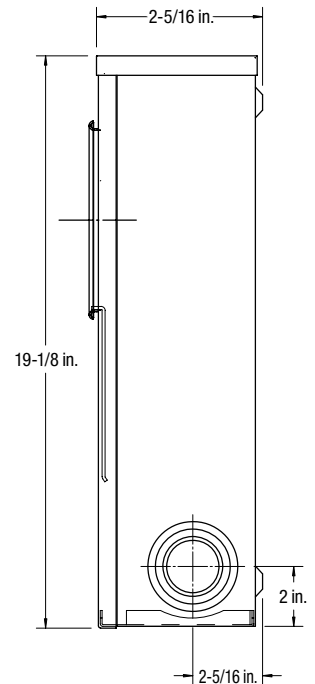
(MO2-V)



MO2-V0 BOTTOM



MO2-V BOTTOM



Cat. No.	Description	Dimensions (in.)			Weight Each	
		H	W	D	lb.	kg
4 JAW						
MO2-V	Underground 1/2 in. studs	19-1/8	12	5-9/16	18	8.1
MO2-V0	Underground 1/2 in. studs for Ontario					
MO2MB-V	Underground 4/0 for Manitoba					
FACTORY-INSTALLED ACCESSORIES						
Include: -W	Water heater lugs					
-M	2/0 AWG subfeed on load side					

MO2 Series Kit

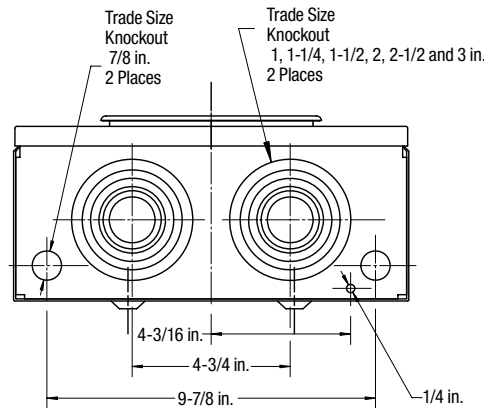
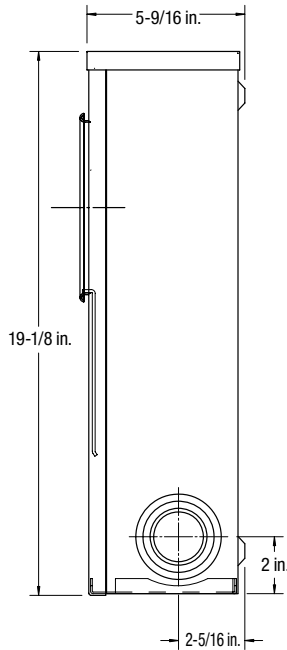
200 A 600 V; Underground Only with PVC Accessories

Product Specifications


- Conductor range: Line: Single 1/2 in. studs to accommodate compression lugs (supplied by utility), Load: 6 AWG-250 kcmil
- For underground service only
- Aluminum tunnel type connectors for load side, 1/2 in. studs on line side
- Supplied with screw type ring
- Weatherproof Type 3R enclosure
- **Primarily used in: Quebec Only**



(MO2-V-KIT1-1/4U)



MO2-V BOTTOM

 Approved for copper or aluminum

Cat. No.	Description	Qty.
KIT		
MO2-V-KIT1-1/4U	Meter socket with PVC accessories	
Consists of		
MO2-V	200 A Meter Socket	1
CE942RL	3 in. PVC/DB2 Adaptor	1
CH1710	1-1/4 in. nut	2
CH1724	3 in. nut	1
CI-DUCT-1	Duct Seal	1
E943G	1-1/4 in. Male Adaptor	2
E943L	3 in. Male Adaptor	1
E945L	3 in. Expansion Fitting	
E977GC	1-1/4 in. Pipe Strap	
E977LC-CAR	3 in. Pipe Strap	
E986G	1-1/4 in. Conduit Bodies – LB Type	
UA9AGCB-UPC	1-1/4 in. 90° Elbow	

Cat. No.	Description	Qty.
KIT		
MO2-V-KIT2U	Meter socket with PVC accessories	
Consists of		
MO2-V	200 A Meter Socket	1
CE942RL	3 in. PVC/DB2 Adaptor	1
CH1716	2 in. nut	2
CH1724	3 in. nut	1
CI-DUCT-1	Duct Seal	1
E943J	2 in. Male Adaptor	2
E943L	3 in. Male Adaptor	1
E945L	3 in. Expansion Fitting	
E977JC	2 in. Pipe Strap	
E977LC-CAR	3 in. Pipe Strap	
E986J	2 in. Conduit Bodies – LB Type	
UA9AJCB-UPC	2 in. 90° Elbow	