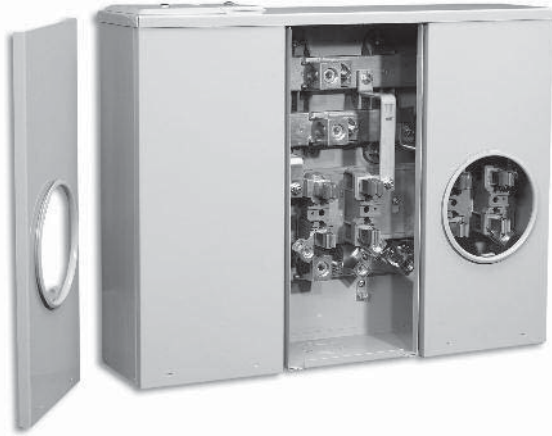
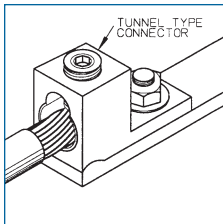


HORIZONTAL METER TROUGHS, 200 AMP. PER POSITION • 400 AMP. 600 VOLTS MAX. MAIN LUGS

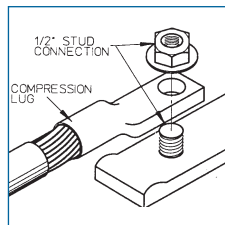


Product Specifications

- Conductor range: Line: Dual rated connectors for 1 x 4 AWG-600 kcmil or 2 x 1/0 AWG 250 kcmil
Load: 6 AWG-250 kcmil
- Aluminum tunnel type connectors
- Factory prebussed from main lugs to each position
- Combination overhead-underground
- Supplied with hub opening closure plate for underground service
- Larger hub opening requires use of 3", 3-1/2" or 4" hubs unless BS052 adapter plate is used
- Supplied with screw type ring
- Weatherproof Type 3R enclosure
- **Primarily used in:** All provinces

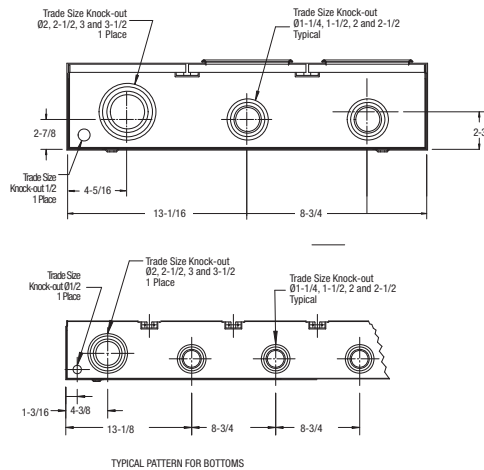


Tunnel type connector Termination

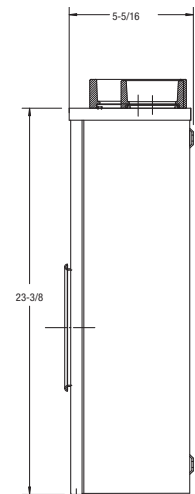


Compression lug Termination (with stud connection)

500 kcmil max.



Note: Pattern for bottoms. Left hand entry is shown. For right-hand entry, unit is manufactured symmetrically with hub openings, knock-out and line connections on right side.



Dimensions are in inches

Ordering Information

CATALOGUE NUMBER	METER POSITION	DIMENSIONS (inches)			WEIGHT EACH		
		H	W	D	lb	kg	
4 JAW							
LEFT-HAND ENTRY	RIGHT-HAND ENTRY						
BS42-V	BS42-VH	2 position	20-1/8	26-1/8	6-7/16	45	20.4
BS43-V	BS43-VH	3 position	20-1/8	35	6-7/16	59	26.8
BS44-V	BS44-VH	4 position	20-1/8	43-3/4	6-7/16	73	33.1
BS45-V	BS45-VH	5 position	20-1/8	52-1/2	6-7/16	87	39.5
BS46-V	BS46-VH	6 position	20-1/8	61-1/4	6-7/16	101	45.9

Approved for copper or aluminum.