

Pole Line Hardware



IB400

Tripod insulator (7.2 kV)

Cat. No.	Height (in.)	Overall Dia. (in.)	Weight (100 pcs)		Std. Pkg.
			lb.	kg	
IB400	3-1/2	3-1/4	125	56.8	25



IB134 - IB135

Insulators (8 kV-12 kV)

Cat. No.	Ampere	Height (in.)	Diameter (in.)	Hole Dia. (in.)	Weight (100 pcs)		Std. Pkg.
					lb.	kg	
IB134	100	2	2-1/4	9/16	40	18.1	100
IB135	200	3	3	13/16	115	52.2	50

Porcelain insulator securely held in the hot galvanized steel clevis by a cotter pin.

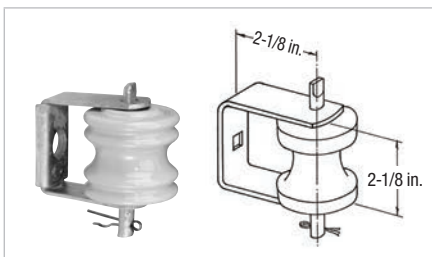


IB900

Screw type insulator (7.2 kV)

Cat. No.	Insulator Length (in.)	Pull Out Strength	Weight (100 pcs)		Std. Pkg.
			lb.	kg	
IB900	3	1500 lb.	87	39.5	25

Porcelain insulator securely held in the hot galvanized steel clevis by a cotter pin.

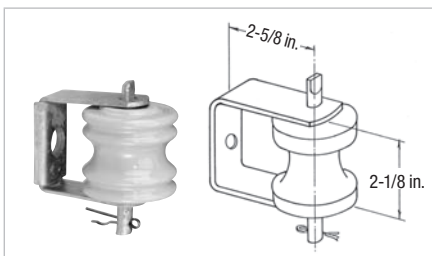


AN422 - AN422KIT - AN423

Clevis (8 kV)

Cat. No.	Mounting Hole	Weight (100 pcs)		Std. Pkg.
		lb.	kg	
AN422	11/16 in. round	90	40.9	25
AN422KIT	11/16 in. round c/w bolts and washers	—	—	1
AN423	9/16 in. x 9/16 in. square	90	40.9	25

Add suffix "NI" if insulator is not required. Constructed of 1/8 in. x 1 in. flat mild steel, has 3/8 in. diam. pin and C/W No. IB134 insulator, mounting hole as per table above. All ferrous parts are hot dip galvanized.



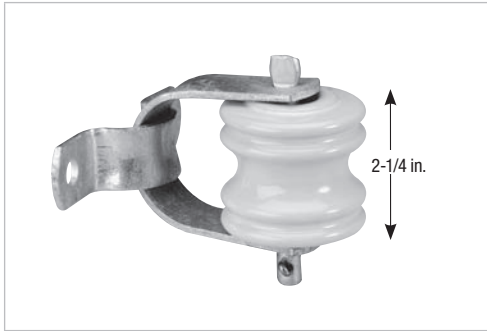
AN424

Clevis (8 kV)

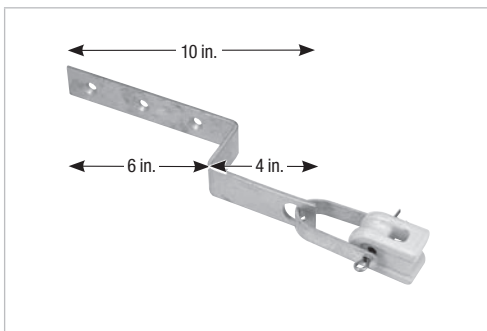
Cat. No.	Weight (100 pcs)		Std. Pkg.
	lb.	kg	
AN424	100	45.4	25

Add suffix "NI" if insulator is not required. Constructed of 1/8 in. x 1-1/4 in. flat mild steel, has 3/8 in. diam. pin and C/W No. IB134 insulator, 3/8 in. round mounting hole. All ferrous parts are hot dip galvanized.

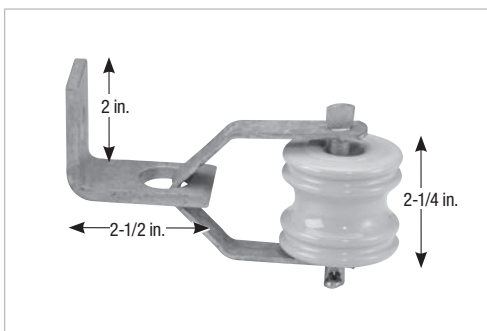
Pole Line Hardware



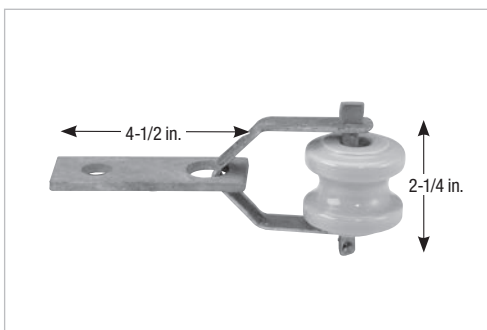
SW409



SW410



SW411



SW411S

Clevis (8 kV)

Cat. No.	Weight (100 pcs)		Std. Pkg.
	lb.	kg	
SW409	100	45.4	25

Add suffix "NI" if insulator is not required. Constructed of 1/8 in. x 1 in. curved mild steel, has 3/8 in. diam. swivel type pin C/W No. IB134 insulator, 2 mtg. holes 7/16 in. round. All ferrous parts are hot dip galvanized.

Clevis (7.2 kV)

Cat. No.	Weight (100 pcs)		Std. Pkg.
	lb.	kg	
SW410	180	81.8	20

Add suffix "NI" if insulator is not required. Undereave/off the wall bracket constructed of 3/16 in. x 1-1/2 in. flat mild steel, C/W No. IB132 insulator. Three 3/8 in. round mtg. holes. All ferrous parts are hot dip galvanized.

Clevis (8 kV)

Cat. No.	Weight (100 pcs)		Std. Pkg.
	lb.	kg	
SW411	125	56.8	20

Add suffix "NI" if insulator is not required. Constructed of 1/8 in. x 3/4 in. curved mild steel, has 3/8 in. diam. swivel type pin C/W No. IB134 insulator, strong 1/4 in. angle bracket, 11/16 in. round mtg. hole. All ferrous parts are hot dip galvanized.

Clevis (8 kV)

Cat. No.	Weight (100 pcs)		Std. Pkg.
	lb.	kg	
SW411S	125	56.8	20

Add suffix "NI" if insulator is not required. Constructed of 1/8 in. x 3/4 in. curved mild steel, has 3/8 in. diam. swivel type pin C/W No. IB134 insulator, strong 1/4 in. bracket, 11/16 in. round mtg. hole. All ferrous parts are hot dip galvanized.