

## BE2 Series

200 A (Main Lugs) 600 V; Multiple Position – Horizontal 100 A per Position

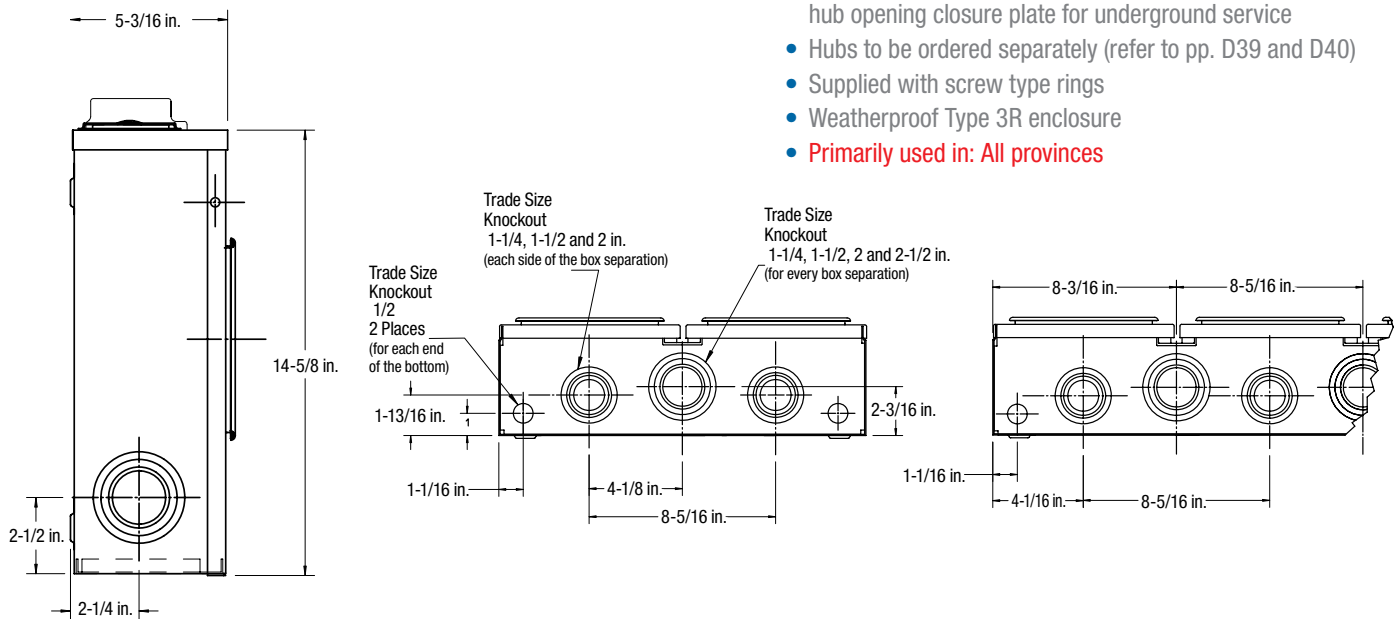


(BE6-V)

NOTE: Supply from an underground network often requires use of stud type connector. Consult your local utility.

### Product Specifications

- Conductor range: Line: 6 AWG-250 kcmil, Load: 6-1/0 AWG
- Aluminum tunnel type connectors for both line and load sides
- Factory prebussed from main lugs to each position
- Combination overhead-underground supplied with hub opening closure plate for underground service
- Hubs to be ordered separately (refer to pp. D39 and D40)
- Supplied with screw type rings
- Weatherproof Type 3R enclosure
- **Primarily used in: All provinces**



 Approved for copper or aluminum

Cat. No.	Meter Position	Dimensions (in.)			Weight Each	
		H	W	D	lb.	kg
<b>4 JAW</b>						
<b>LEFT-HAND ENTRY</b>	<b>RIGHT-HAND ENTRY</b>					
BE2-V	BE2-VH	2 position	16-1/2	5-3/16	18	8.1
BE3-V	BE3-VH	3 position	24-13/16	5-3/16	26	11.8
BE4-V	BE4-VH	4 position	33-1/8	5-3/16	34	15.4
BE5-V	BE5-VH	5 position	41-7/16	5-3/16	42	19.0
BE6-V	BE6-VH	6 position	49-3/4	5-3/16	50	22.7
<b>FACTORY-INSTALLED ACCESSORIES</b>						
Include:	-5	5 <sup>th</sup> jaw, standard capacity, 9 o'clock position				