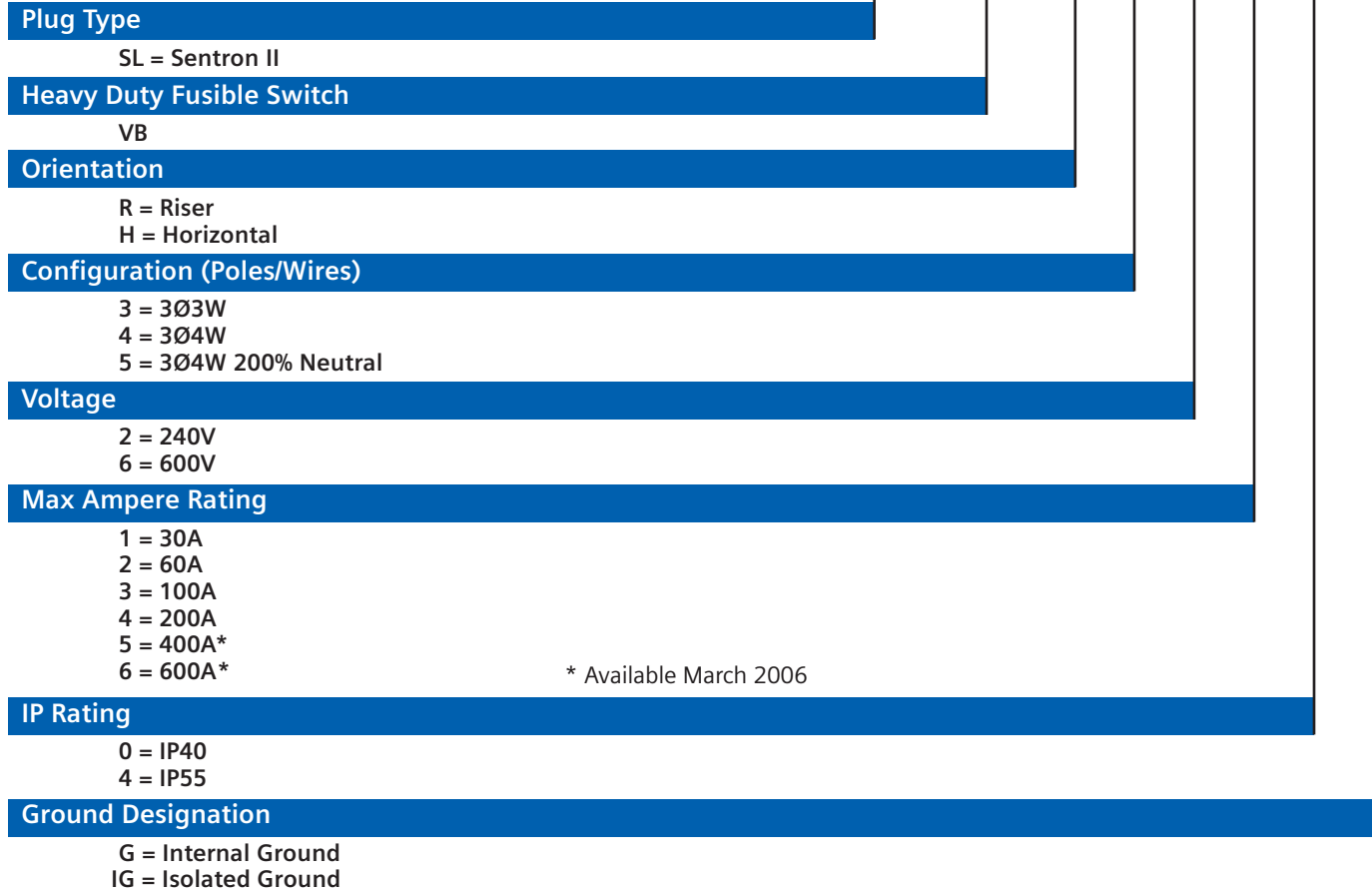


Catalog Numbering System

S L V B R 3 2 1 0 G



Standard Fusible Bus Plug Ratings

Plug-In-units Series	Fused Sw. Max. Rating	Fuse Class	Fuse Kits		Max. Short Circuit Current Rating
			R Fuse Kits	T Fuse Kits	
SLVB_21	30A, 240V	H,K,R	HR21	—	200KA, 240V,3-ph
SLVB_61	30A, 600V	H,K,R,J	HR612	—	200KA, 600V,3-ph
SLVB_22	60A, 240V	H,K,R	HR612	—	200KA, 240V,3-ph
SLVB_62	60A, 600V	H,K,R,J	HR62	—	200KA, 600V,3-ph
SLVB_23	100A, 240V	H,K,R,J,T	HR63	—	200KA, 240V,3-ph
SLVB_63	100A, 600V	H,K,R,J,T	HR63	HT63	200KA, 600V,3-ph
SLVB_24	200A, 240V	H,K,R,J,T	HR64	HT24	200KA, 240V,3-ph
SLVB_64	200A, 600V	H,K,R,J,T	HR64	HT64	200KA, 600V,3-ph
SLVB_25	400A, 240V	H,K,R,J,T	HR656	—	200KA, 240V,3-ph
SLVB_65	400A, 600V	H,K,R,J,T	HR656	—	200KA, 600V,3-ph
SLVB_26	600A, 240V	H,K,R,J,T	HR656	—	200KA, 240V,3-ph
SLVB_66	600A, 600V	H,K,R,J,T	HR656	—	200KA, 600V,3-ph



Standard Fusible Bus Plug Horsepower Ratings

Plug-In-units Series	Fused Sw. Max. Ratings	240V, 1-Phase		240V, 3-Phase		480V, 3-Phase		600V 3-Phase	
		Std.	Max.	Std.	Max.	Std.	Max.	Std.	Max.
SLVB_21	30A, 240V	1.5	3.0	3.0	7.5	—	—	—	—
SLVB_61	30A, 600V	—	—	—	—	5.0	15.0	7.5	20.0
SLVB_22	60A, 240V	3.0	10.0	7.5	15.0	—	—	—	—
SLVB_62	60A, 600V	—	—	—	—	15.0	30.0	15.0	50.0
SLVB_23	100A, 240V	7.5	15.0	15.0	30.0	—	—	—	—
SLVB_63	100A, 600V	—	—	—	—	25.0	60.0	30.0	75.0
SLVB_24	200A, 240V	15.0	—	25.0	60.0	—	—	—	—
SLVB_64	200A, 600V	—	—	—	—	50.0	125.0	60.0	150.0
SLVB_25	400A, 240V	15.0	—	50.0	125.0	—	—	—	—
SLVB_65	400A, 600V	—	—	—	—	100.0	250.0	125.0	350.0
SLVB_26	600A, 240V	15.0	—	75.0	200.0	—	—	—	—
SLVB_66	600A, 600V	—	—	—	—	150.0	400.0	200.0	500.0

The SENTRON SLVB BUS PLUG meets all UL and CSA standards to assure reliable performance in all environments. The installer and end user will appreciate NEW features like Highly Visible Position Indicator, Dual Stab Busway Interlocks, Dual Cover Interlocks, and Bolt-on Mounting.

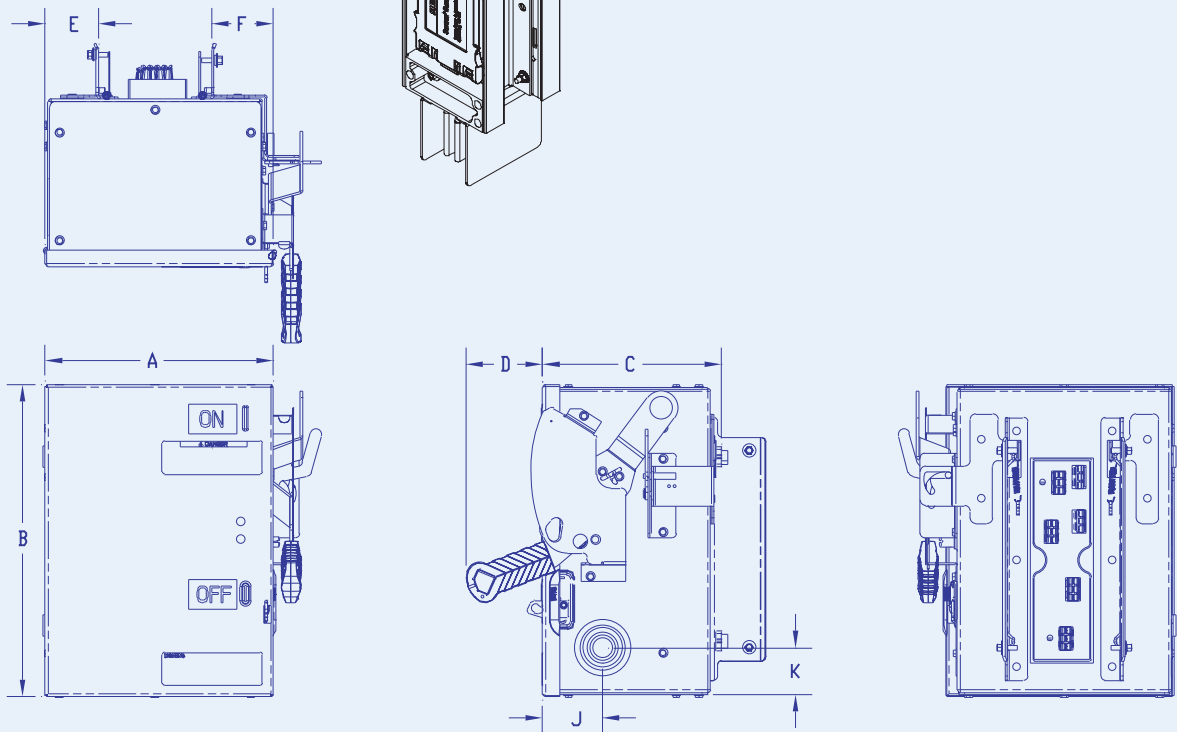
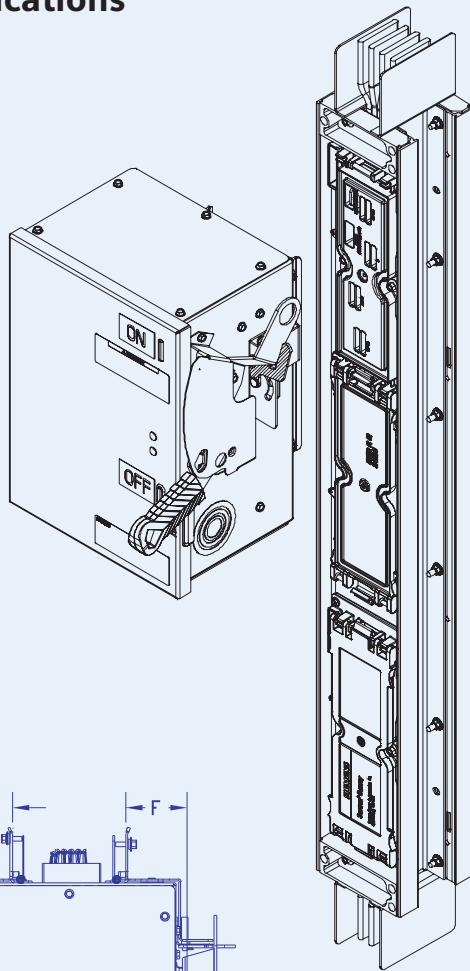
SENRON SLVB Fusible Bus Plugs are available in 30, 60, 100, 200, 400, and 600 amp ratings (compatible with H, R, T, K and J fuses).

Available March 2006

Fusible Switch Plug, Load Lugs, and Knockouts

Ampere Rating	Ground Lug Cu/A	Neutral Lug Cu/Al	Phase Lug Cu/Al	Knockout Sizes In.(mm)
30	#14-1/0	#14-2	#14-2	7/8(22), 1 1/8(29), 1 3/8(35), 1 3/4(44), 2(51), 2 1/2(64)
60	#14-1/0	#14-1/0	#14-2	7/8(22), 1 1/8(29), 1 3/8(35), 1 3/4(44), 2(51), 2 1/2(64)
100	#14-1/0	#14-1/0	#14-1/0	7/8(22), 1 1/8(29), 1 3/8(35), 1 3/4(44), 2(51), 2 1/2(64)
200	#14-1/0	#6-300MCM	#6-300MCM	1 3/8(35), 1 3/4(44), 2(51), 2 1/2(64), 3(76)
400	#6-350MCM	(2)1/0-250MCM or (1)1/0-750MCM	(2)1/0-250MCM or (1)1/0-750MCM	7/8(22), 1 1/8(29)
600	#6-350MCM	(4)1/0-250MCM or (2)1/0-750MCM	(4)1/0-250MCM or (2)1/0-750MCM	7/8(22), 1 1/8(29)

Riser Applications SLVBR



Riser Fusible Bus Plug Dimension and Weights (Enclosure Only)

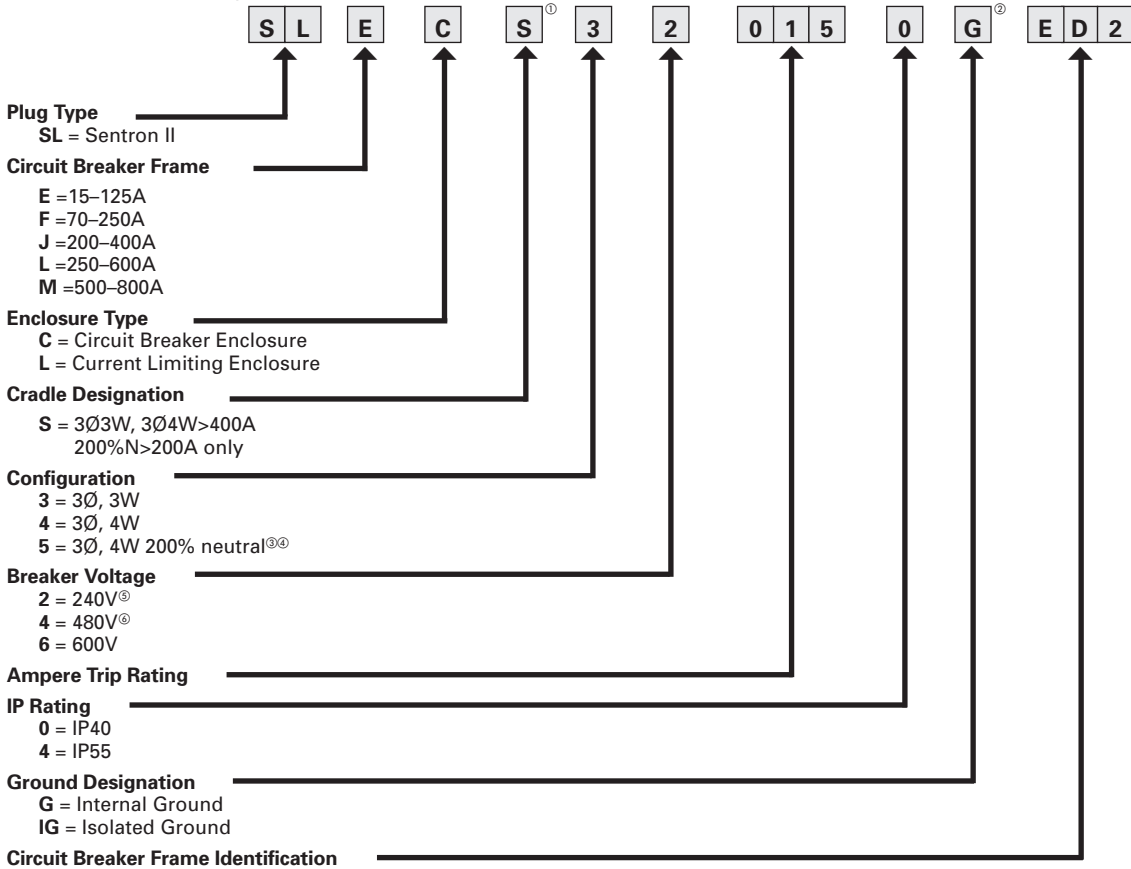
Ampere Rating	Dimensions Inches (mm)									Weight lbs (kg)
	"A"	"B"	"C"	"D" max.	"E"	"F"	"J"	"K"		
30	10.13(257)	13.86(352)	7.96(202)	5.25(133)	2.74(69)	2.36(59)	2.65(67)	2.06(52)	26.5(12.02)	
60	10.13(257)	14.86(377)	7.96(202)	5.25(133)	2.74(69)	2.36(59)	2.65(67)	2.06(52)	28.5(12.92)	
100	11.13(282)	15.86(402)	7.96(202)	5.25(133)	7.74(196)	3.36(85)	2.65(67)	2.06(52)	30.0(13.60)	
200	14.88(377)	22.86(580)	10.58(268)	5.90(149)	5.11(129)	4.74(120)	3.40(86)	3.06(77)	48.5(21.99)	
*400										
*600										

* Available March 2006

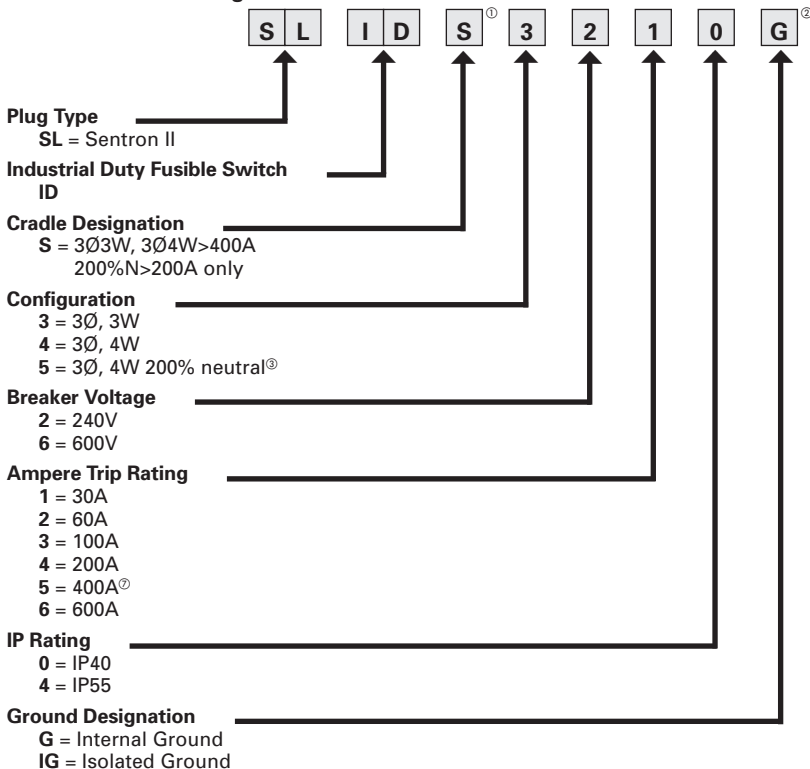
Sentron Bus Plug

Catalog Numbering System

Sentron II Bus Plugs—Circuit Breaker (Installed)



Sentron II Bus Plugs—Fusible



- ① The S digit is only used on 3- and 4-wire (100%N) plugs that are greater than 400A and 200%N plugs greater than 200A. Lower amperage plugs do not require this digit. (Ex. SLID3610, SLEC32060ED2)
- ② The G and IG digits are used to specify internal and isolated ground respectively. Integral (housing) ground plugs do not require this digit. (Ex. SLID3610, SLEC360150ED6)
- ③ Available through 400A only.
- ④ Available with E, F and J Frame breakers only.
- ⑤ Available with ED2 breakers only.
- ⑥ Available with ED4 and HED4 breakers only.
- ⑦ For 400A compact enclosure add "CMP" to the end of the catalog number.