

ECS Selector Switch Control Stations

Explosionproof, Dust-Ignitionproof, Factory Sealed and Non-Factory Sealed

CEC:

Class I, Division 1 and 2, Groups B, C, D
 Class II, Division 1 and 2, Groups E, F, G
 Class III
 CSA Type 3R, 7BCD, 9EFG

Hub Size (Inches)	Description	Catalog Number
-------------------	-------------	----------------

ECS Series Mounting Boxes

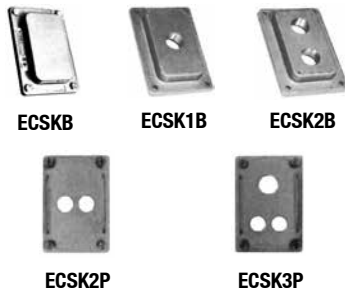
CSA Certified when complete with ECKSK cover assembly. Boxes and covers sold separately. Boxes are complete with feed-thru hubs, mounting feet, ground screw and close-up plug for dead-end use. For 1/2" entry on ECS-172 and ECS-275 reducer required.



3/4	1-Gang	ECS175
1	1-Gang	ECS110
3/4	2-Gang	ECS275
1	2-Gang	ECS210

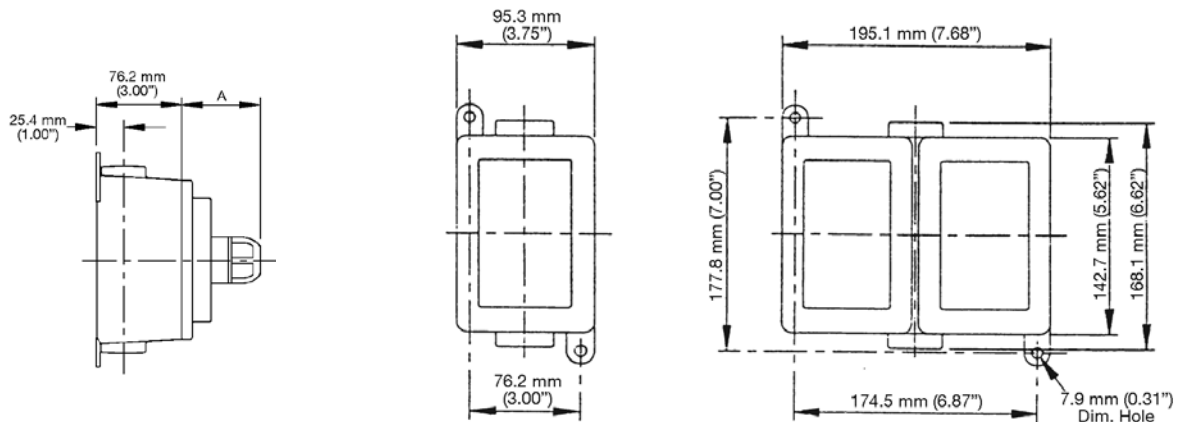
Description	Catalog Number
-------------	----------------

ECS Replacement Covers



Blank Cover	ECKSKB
1 Device Cover	ECKSK1B
2 Device Cover	ECKSK2B
Dual Push button/Selector Switch Cover	ECKSK2P
Pilot Light and Dual Push button/Selector Switch Cover	ECKSK3P

Dimensions in Millimeters (Inches)



Device	A — Dimensions in Millimeters (Inches)
Push Button Switch	45.0 (1.81)
Selector Switch	57.2 (2.25)
Pilot Light	69.9 (2.75)
Mushroom Head Switch	56.4 (2.18)
Snap Switch	39.6 (1.56)
GFI	41.1 (1.62)
Photocontrol	53.8 (2.12)