

# Beacons

## Multi-Mode LED

### 105XBR Series



Edwards 105XBR Series XTRA-BRITE™ LED beacons are heavy-duty, multi-mode signaling devices, available in steady-on with the built-in option of switching to flashing mode via dipswitch. These signals are designed for use in industrial applications or applications where a NEMA Type 4X enclosure is required. The base is manufactured from glass-reinforced thermoplastic polyester resin and the double fresnel lens is made of shatter resistant polycarbonate. The unit can be panel, conduit or wall mounted.

### Features and Specifications

- Multi-mode (flashing or steady-on)
- LED light source
- Flash rate 65 fpm
- Gray Rynite® (PET) base
- Option for panel, conduit or wall mounting
- NEMA Type 4X enclosure
- UL Listed for Marine applications
- Class I, Div 2, Groups A, B, C and D; Class II, Div 2, Groups F and G; Class III
- Operating temperature range: -31F° to 150°F (-35°C to 66°C)



3.75"



VISUAL SIGNALS

### Ordering Information

Description	Cat. No.	Operating Voltage <sup>1</sup>	Current	LED Colors	Projected LED Life (L70) <sup>2</sup>	Replacement Lens
LED Multi-mode AC	105XBRMA120A	120V AC	0.108 A	Amber	148,000 hours	105-LA
	105XBRMB120A	120V AC	0.108 A	Blue	148,000 hours	105-LB
	105XBRMG120A	120V AC	0.108 A	Green	148,000 hours	105-LG
	105XBRMR120A	120V AC	0.108 A	Red	148,000 hours	105-LR
	105XBRMW120A	120V AC	0.108 A	White	148,000 hours	105-LC
LED Multi-mode DC	105XBRMA24D	24V DC	0.215 A	Amber	148,000 hours	105-LA
	105XBRMB24D	24V DC	0.215 A	Blue	148,000 hours	105-LB
	105XBRMG24D	24V DC	0.215 A	Green	148,000 hours	105-LG
	105XBRMR24D	24V DC	0.215 A	Red	148,000 hours	105-LR
	105XBRMW24D	24V DC	0.215 A	White	148,000 hours	105-LC

<sup>1</sup>AC voltage frequency is 50/60 Hz

<sup>2</sup>LED Manufacturer's Median Projected LED Life for LUXEON Rebel LEDs (L70 at 85°C and T<sub>junction</sub> 98°C). Actual LED life will vary inversely with ambient temperature, voltage, driver current, junction temperature and duty-cycle at which the signaling device is operated. Please refer to <http://www.philipslumileds.com/pdfs/WP15.pdf>.

### Accessories

Description	Cat. No.
Mounting Bracket	105BM <sup>3</sup>
Outlet Box Attachment	105BX
Pipe Mount Attachment	105PM



Mounting Bracket

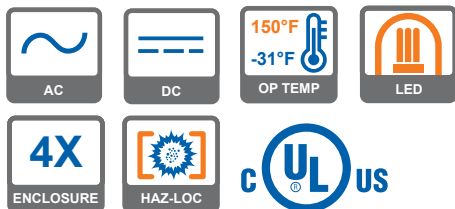


Outlet Box Attachment



Pipe Mount Attachment

<sup>3</sup>Must be used with the 105BX



# Beacons

## Multi-Mode LED

### 105XBR Series

#### Hazardous Location Listings

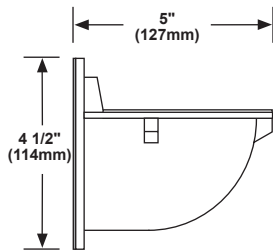
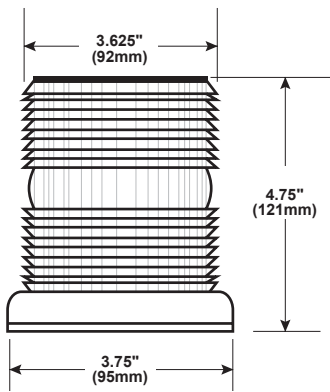
Cat. No.	Class	Division	Group	Operating Temperature
105XBRM*120A 105XBRM*24D	I	2	A, B, C, D	T4A (120°C, 248°F)
	II	2	F, G	T4A (120°C, 248°F)
	III			T4A (120°C, 248°F)

\*Letter in this position designates LED color: A - amber, B - blue, G - green, R - red, or W - white

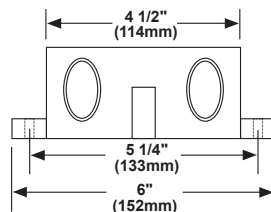
#### Weights and Dimensions

Cat. No.	Approx. Net Weight (lb.)	Approx. Shipping Weight (lb.)
105XBRM*120A	1.20	1.40
105XBRM*24D	1.20	1.40
105BX	0.80	1.00
105BM	1.00	1.20
105PM	0.80	1.00

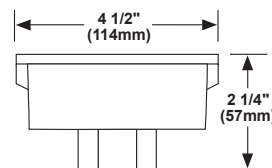
\*Letter in this position designates LED color: A - amber, B - blue, G - green, R - red or W - white



Cat. No. 105BM Mounting Bracket  
(use with 105BX)



Cat. No. 105BX  
Outlet Box Attachment



Cat. No. 105PM  
Pipe Mount Attachment  
(Pipe mount is 3/4" NPT)