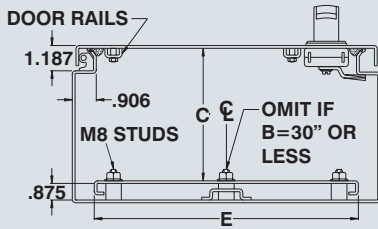
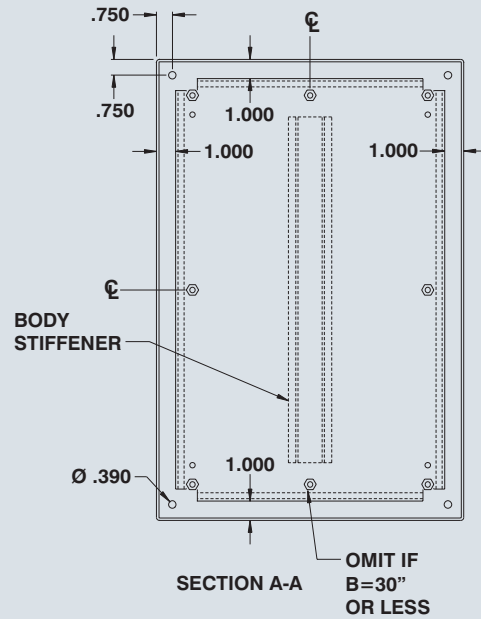
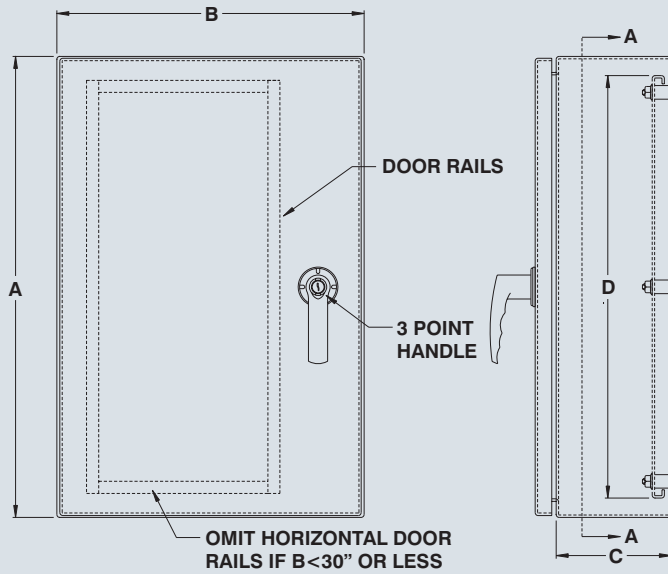


NEMA 4-12 ENCLOSURES

5412 ES



CATALOG NUMBER	DIMENSIONS					SHIP WGHT LBS.
	A	B	C	D	E	
5412 ES422408	42	24	8	40	22	110
5412 ES423008	42	30	8	40	28	133
5412 ES423608	42	36	8	40	34	156
5412 ES482408	48	24	8	46	22	124
5412 ES483008	48	30	8	46	28	150
5412 ES483608	48	36	8	46	34	177
5412 ES603608	60	36	8	58	34	218
5412 ES423010	42	30	10	40	28	140
5412 ES423610	42	36	10	40	34	164
5412 ES483010	48	30	10	46	28	158
5412 ES483610	48	36	10	46	34	185
5412 ES603610	60	36	10	58	34	227
5412 ES422412	42	24	12	40	22	118
5412 ES423012	42	30	12	40	28	147
5412 ES423612	42	36	12	40	34	172
5412 ES482412	48	24	12	46	22	138
5412 ES483612	48	36	12	46	34	193
5412 ES602412	60	24	12	58	22	169
5412 ES603612	60	36	12	58	34	236
5412 ES723012	72	30	12	70	28	240
5412 ES723612	72	36	12	70	34	279
5412 ES423616	42	36	16	40	34	187
5412 ES483616	48	36	16	46	34	210
5412 ES603616	60	36	16	58	14	255
5412 ES723016	72	30	16	70	28	260
5412 ES723616	72	36	16	70	34	301
5412 ES483620	48	36	20	46	34	226
5412 ES603620	60	36	20	58	34	274
5412 ES723020	72	30	20	70	28	280
5412 ES723024	72	30	24	70	28	300



Data subject to change without notice.



Water, oil & dust tight enclosures

Quick Features :

- Poured gasket
- 1/4 turn lock
- Drip shield
- Superior hinging
- 180° door opening
- Seamless welding
- Panel is included
- Panel is double bent
- Powder coated

The 5412 ES water, oil & dust tight enclosures are used indoors or outdoors in areas where the enclosures may be subject to hosing or to water coming from any direction or for protection against dust, dirt or oil splashing. The 5412 ES are made from quality 14 GA or 16 GA steel, with corner seams continuously welded. The opening has a curled lip around all sides to prevent dripping water from entering the

enclosure when the door is open, it also increases rigidity. A high quality robotically poured-in-place seamless gasket ensures a complete and durable water tight seal. The pins of the concealed hinges can be pulled out to remove the door.

A 1/4 turn locking mechanism (or 3 point latch system on larger enclosures) insures positive closing. Internal mounting holes are provided. Body stiffeners are provided on larger models. Each enclosure comes complete with a 12 GA inner panel which is double bent* for maximum rigidity and which mounts on M8 welded studs. Enclosures and panels are finished with heat fused polyester powder, electrostatically applied on a phosphatized base. Box is ANSI/ASA 61 gray, panel is white (other colors available). **CSA Certified / UL Listed NEMA 4-12 / IP66**

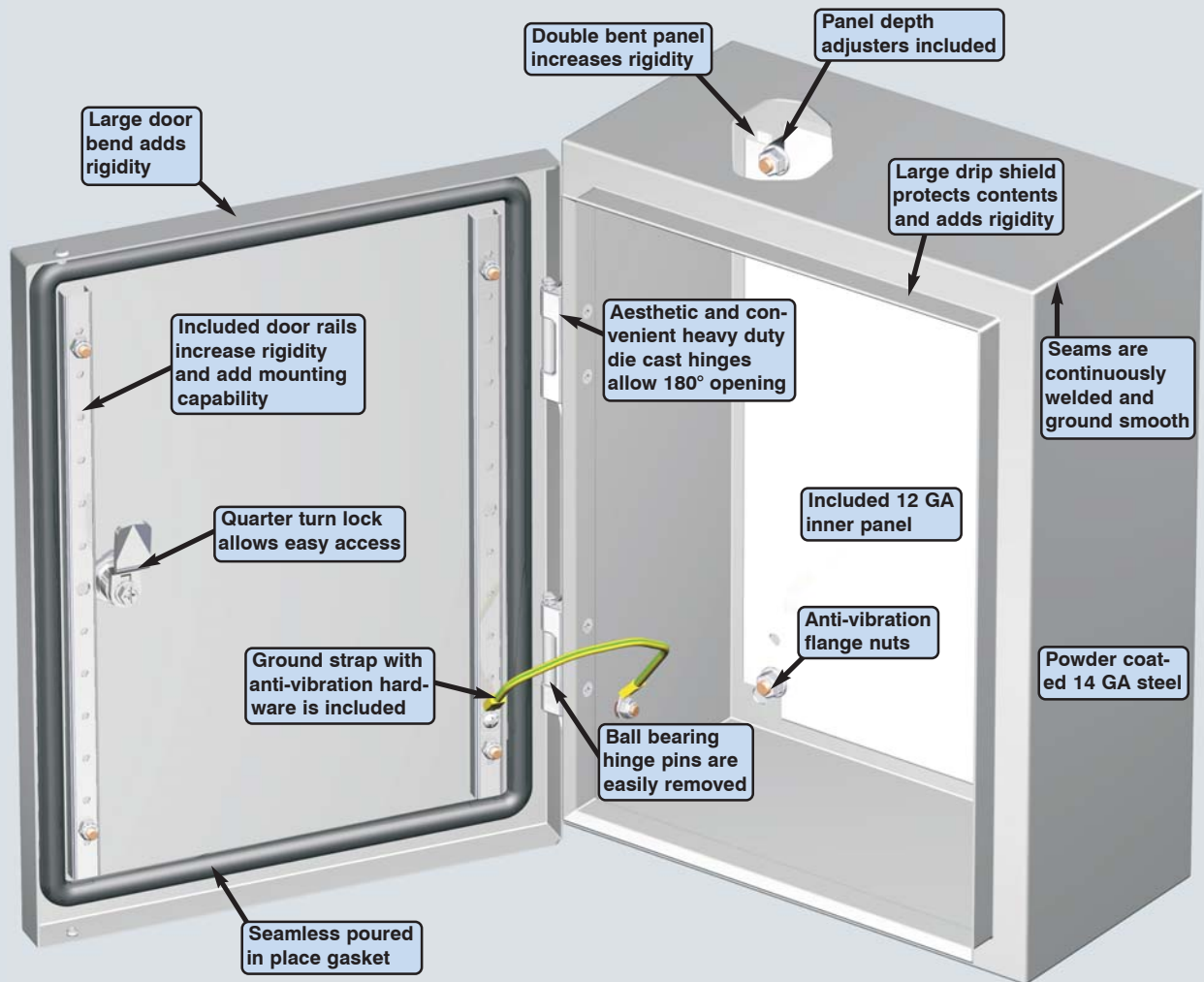
Each enclosure comes complete with a 12 GA inner panel which is double bent* for maximum rigidity and which mounts on M8 welded studs. Enclosures and panels are finished with heat fused polyester powder, electrostatically applied on a phosphatized base. Box is ANSI/ASA 61 gray, panel is white (other colors available).

CSA Certified / UL Listed NEMA 4-12 / IP66



Visit www.eurobex.com for details.

Call us toll free 1-800-363-2423



The 5412 ES - 98 stock sizes available

Data subject to change without notice.

Suggested Accessories

