

Philips Advance HID ballasts are available to operate the wide variety of metal halide, high pressure sodium and low pressure sodium lamps available in today's marketplace.

Like fluorescent, HID lamps are gas discharge lamps. Light is produced by an arc discharge between two electrodes located at opposite ends of an arc tube within the lamp's outer glass envelope. The ballast is the lamp's power supply; its purpose is to provide proper starting and operating voltage and current to initiate and sustain this arc.

Lamp Starting

Probe-Start Metal Halide Lamps

The "traditional" probe-start metal halide lamps (175 through 1500W) have an additional electrode located at one end of the arc tube to assist in lamp starting. These types of lamps require an open circuit voltage (OCV) approximately two times the lamp's operating voltage to initiate the arc.

High Pressure Sodium and Pulse-Start Metal Halide Lamps

High pressure sodium and modern metal halide lamps, which include existing lamps, 150W and less, as well as the new generation of pulse-start metal halide lamps, 150W and greater, have no starting electrodes. In addition to an OCV of approximately two times the lamp voltage, these lamps utilize an "ignitor" to provide a high voltage starting pulse directly across the main electrodes. Once the lamp's arc is established, the ignitor automatically stops delivering pulses, and the lamp comes up to full brightness on its own.

Low Pressure Sodium

Because they have neither a starting electrode nor an ignitor, low pressure sodium lamps require an open circuit voltage approximately three to seven times the lamp voltage to start and sustain the lamp.

Lamp Operation

Gas discharge lamps have a negative resistance characteristic that causes them to draw an increasing amount of current leading to immediate lamp failure if operated directly from the power line. The ballast, therefore, is utilized to limit the current to the correct level for proper operation of the lamp.

Ballast factor is defined as the ratio of light output produced by a lamp operating on a commercial ballast versus the lamp's rated light output. Philips Advance HID ballasts have a nominal ballast factor of 1.0, thus providing full light output.

HID lamps take several minutes to warm-up and reach full lumen output. Additionally, an interruption in the input power or a sudden voltage drop may cause the arc to extinguish. A lamp that is hot will not restart immediately. Before the lamp will relight, it must cool sufficiently to reduce the vapor pressure within the arc tube to a point where the arc will restrike. The approximate warmup and restriking times of the HID lamp groups are as follows:

Light Source	Warm-Up Time	Restrike Time
Metal Halide (Probe Start)	5-4 minutes	10-20 minutes
Metal Halide (Pulse Start)	2 minutes	3-4 minutes
High Pressure Sodium	3-4 minutes	½-1 minute
Low Pressure Sodium	7-10 minutes	3-12 seconds

Ballast Input Voltages

Unlike fluorescent lighting which is operated on either 120V or 277V circuits, power for HID lighting in the U.S. is delivered at any one of five voltages: 120V, 208V, 240V, 277V or 480V. While 120V and 277V are the most popular, because of the heavier loads and sometimes longer runs associated with HID lighting (such as shopping mall parking lots), 208V and 240V power is often used instead of 120V, and 480V instead of 277V.

To address this multiplicity of voltages, the HID ballast industry offers ballasts with multiple input voltage taps on the primary coil. Our 4-TAP design is called a Quadri-Volt ballast and operates on either 120V, 208V, 240V or 277V line voltage. There is a Philips Advance Quadri-Volt ballast for virtually every HID lamp on the market. New 5-TAP designs, which feature the same input voltages as Quadri-Volt ballasts plus 480V, are available for 250W, 400W and 1000W metal halide and high pressure sodium applications.

Luminaires Fusing

Many HID lighting luminaires are sold with protective fuses. The purpose of the fuse is to isolate a luminaire from the lighting circuit in the event of excessive current draw, such as might be caused by a failed ballast. Unfortunately, the fuse will not protect the ballast from failure.

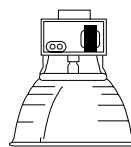
With many luminaires the fuse is physically located in the ballast compartment of the luminaire. The air temperature within this compartment can easily reach 80°C and still be within the design limitations of the luminaire.

Many fuses are temperature sensitive, meaning that the current rating goes down as the ambient temperature goes up. Fuse current ratings are based on the fuse's performance in a 25°C ambient (77°F). In an 80°C ambient, some fuses will open at half their rating.

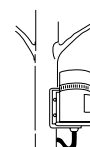
As a result, the fuse rating shown in the HID ballast tables is calculated at 2½ to 3 times the highest current draw of the ballast: lamp operating, starting or open circuit conditions. Typically fast blow fuses should be used. It is not necessary to use current limiting fuses but some applications may require their use. Additional testing is recommended to determine appropriate fuse type.

Ballast Design Applications

HID lamp ballasts are available in a variety of shapes and sizes for the most popular lighting applications. Six basic designs are in widest use today.



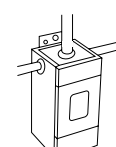
Core & Coil
(71A Series)



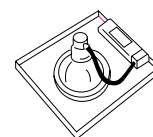
Outdoor
Weatherproof
(79W Series)



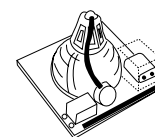
Postline
(74P Series)



Indoor Enclosed
Rectangular Can
(78E Series)



Fluorescent Can
(72C Series)



Encapsulated Core & Coil
(73B Series)

Core & Coil

The basic ballast is the open core & coil, which is most often used as a component within a lighting luminaire. The core & coil also forms the nucleus of the five other ballast configurations detailed in this section. It consists of either one or two copper coils on a core (or “stack”) of electrical-grade steel laminations. The coils are assembled to core sections that are then surface-welded together. The assembled Philips Advance ballast is vacuum-pressure impregnated with a silica-filled polyester varnish to re-enforce the electrical insulation, preclude moisture, inhibit noise and dissipate heat. Some HID ballast manufacturers apply varnish via a preheat-and-dip process, which only puts a thin coat of varnish on the outer surface of the ballast. Philips Advance core & coil ballasts feature as standard an insulation system rated class H (180°C maximum coil hot spot temp.) for ballasts below 600W and Class N (200°C maximum coil hot spot temp.) for ballasts 600W and higher. When performing in-fixture testing, the maximum allowable average coil temperature (measured by the rise-of-resistance method) is 165°C for Class H ballasts or 185°C for Class N ballasts. The maximum allowable coil face or lead wire temperature (measured by thermocouple) is 150°C for both Class H and Philips Advance Class N ballasts, 170°C for true Class N ballasts.

Encapsulated Core & Coil

Where quiet performance is required, the standard open core & coil ballasts are encapsulated (potted) in a cube-shaped steel can utilizing Class H (180°C) polyester compound. These ballasts carry a Class A noise rating up through 175W and Class B for 250 and 400W. As with the open core & coil, the capacitor (and ignitor where included) are mounted separately within the fixture.

Ballasts with Aluminum Coils

We offer a wide range of ballasts that have coils made out of copper and/or aluminum. All Philips Advance ballasts adhere to ANSI specifications and are certified by respective agencies (UL, CSA, etc.). Ballasts with aluminum coil(s) are designated by -A after ballast catalog number and/or “AL” on wiring diagram.

Fluorescent Can (F-Can)

For indoor commercial applications of HID lighting such as offices, schools and retail stores, ballast noise must be minimized. Ballasts for these luminaires are most often encased and potted in fluorescent ballast type cans and utilize Class A (90°C) asphalt insulating materials (the same as used in fluorescent lamp ballasts).

The Philips Advance line of F-can ballasts comes in two dual-voltage configurations: 120/277V for the US market and 120/347V for the Canadian market. Each unit has built-in, automatically resetting thermal protectors that disconnect the ballast from the power line in the event of overheating. All units are high power factor and include the capacitor within the can. All models for high pressure sodium, low-wattage metal halide and pulse-start metal halide lamps also include the ignitor in the can.

Spacing between ballasts and the mounting surface must be considered when the ballasts are remote-mounted.

Twelve inches between ballasts must be maintained, and if multiple rows vertically are used, there should be at least 12 inches between rows. In addition to ballast and row spacing, the ballast must not be directly mounted to a non-metallic surface. They must be spaced with mounting brackets (see page 7-46 and 7-47 for mounting bracket details) to allow airflow under the ballast base.

Indoor Enclosed

These units are designed for use indoors where the ballast must be mounted remotely from the luminaire. They are most typically used in factories where the luminaire may be mounted in a high-bay where very high ambient temperatures may be experienced. In these instances, the remotely mounted ballast operates cooler, subsequently providing longer life because it is away from both the heat of the ceiling ambient and lamp heat within the fixture.

The case contains the core & coil potted in a Class H (180°C) heat-dissipating resin. The capacitor(s) and ignitor are contained within a separate compartment. Knockouts in both ends of the case facilitate hook-up in the most convenient manner. Wall mounting is accomplished through flanges on the top and bottom of the case. The ballast is a UL Listed product.

Outdoor Weatherproof

Weatherproof ballasts are designed for remote, pole-mounting outdoor applications under all weather conditions. They may also be placed inside of a transformer pole base, but care must be taken to avoid areas prone to flooding because weatherproof ballasts are not water-submersible.

The core & coil with its capacitor and ignitor (where required) are firmly mounted to the heat-sink base. An aluminum cover is placed over the core-&-coil assembly and is bolted with a weather-tight gasket to the base. Using the integral 1” threaded nipple with the provided locknut facilities hook-up to the electrical conduit or to the mounting bracket when used on a pole. The weatherproof ballast may also be placed nipple-up, with a drip loop in the leads, inside a pole base.

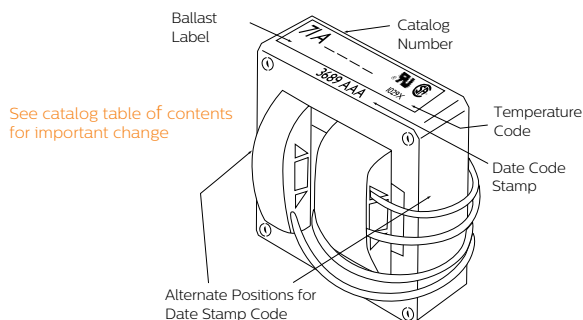
Postline

Lantern-type fixtures mounted on slender poles often require ballasts that will fit into these poles. Special, elongated core & coil ballasts are potted in resin in cylindrical cans having a 2.55” outside diameter. All include leads necessary for direct connection to a photocell.

The capacitor and ignitor (where required) are included within this can. A ½” threaded nipple is used for vertical mounting, and leads extend from both ends of the can for ease of installation. The input leads to the ballast also provide for proper connection to the photocell if such is included within the luminaire.

To help prevent overheating, one to three feet of air space should be allowed in the pole above the ballast, and the ballast should be positioned against the post interior wall to provide a heat-sink. All units rated 100W and above now include a mounting kit consisting of an 18” chain to hang the ballast within the pole and a spring clip to force the ballast’s cylindrical can to make line contact with the pole’s interior surface to maximize heat transfer, thus prolonging the ballast life.

Ballast Date and Temperature Codes



Philips Advance HID core & coil ballasts are date stamped on either the top surface or the side surface of the ballast core. The four-digit number represents the week and year of manufacture. The first two numbers indicate the week and the last two indicate the year the ballast was manufactured. The example shows a ballast manufactured during the 36th week of 1989. The three letters are a factory code.

The ballast's UL Bench Top Rise Temperature Code is shown on the label (see above).

UL Bench Top Rise Temperature Code

To facilitate UL inspection, each ballast's UL Bench Top Rise Temperature Code is shown on the Philips Advance core & coil ballast label as 1029X, where 1029 is the UL Standard for HID Ballasts and the X is the temperature code: A, B, C, etc. If a fixture is UL listed for 1029C, then automatically all ballasts with an A, B or C temperature classification are acceptable for use within that same fixture.

If a fixture is UL listed at a specific wattage such as UL 1029C, all ballasts of the same wattage with an A, B or C temperature classification are acceptable for use within that fixture. A ballast with a higher temperature classification (D, E, F, etc.) is not acceptable for use within that same fixture. A ballast with a higher wattage rating than the listed fixture wattage rating is also not acceptable for use and cannot be installed, regardless of the ballast temperature classification.

Reactor ballasts utilizing integral ignitors are thermally protected to limit the maximum ignitor component temperature within the fixture. They have a lower maximum operating temperature limit than a reactor ballast with an external ignitor. When replacing a reactor ballast using an external ignitor with a reactor ballast using an integral ignitor, it is recommended that in-fixture thermal testing is

UL Bench Top Rise Letter Code	Temperature Range for Class H (180°C) Ballasts	Temperature Range for Class N (200°C) Ballasts
A	less than 75°C	less than 95°C
B	75°C < 80°C	95°C < 100°C
C	80°C < 85°C	100°C < 105°C
D	85°C < 90°C	105°C < 110°C
E	90°C < 95°C	110°C < 115°C
F	95°C < 100°C	115°C < 120°C
etc.	etc.	etc.

performed which simulates the application to ensure that the thermally protected reactor does not cycle in the fixture causing the lamp to drop out.

Certifications



Indicates ballast is listed by Underwriters Laboratories, Inc. in accordance with UL 1029 Standard for HID Ballasts. Each ballast is marked appropriately. (UL File Number E94520)



Indicates ballast is component recognized by Underwriters Laboratories, Inc. in accordance with UL 1029 Standard for HID Ballasts. Each ballast is marked appropriately.



Indicates ballast is certified by Canadian Standards Association in accordance with CAN/CSA-22.2 No. 74-92. Each ballast is marked appropriately.



All HID Ballasts are designed and manufactured in accordance with the American National Standards Institute Standard for HID Ballasts, ANSI C82.4.



Indicates ballast is certified and compliant with "Norma Obligatoria Mexicana" (NOM) requirements.



Indicates ballast meets the 88% efficiency requirements of EISA (Energy Independence and Security Act of 2007).

EISA requires all 150W-500W metal halide luminaires manufactured on or after January 1, 2009, to contain a ballast meeting the following levels of efficiency:

- 88% for magnetic or electronic pulse start ballasts
- 94% for magnetic probe start ballasts
- 92% for non-pulse start electronic ballasts for wattages greater than 250W, and
- 90% for non-pulse start electronic ballasts for wattages up to 250W

Please refer to the EISA brochure for more information on EISA Compliant pulse-start ballasts. It can be found at www.philips.com/oemna. In February 2017, the DoE will require new fixtures for Pulse Start Metal Halide ballasts, ranging from 35W to 1000W, to be more energy efficient than they are presently. Probe Start Metal Halide ballasts will not be permitted in new fixtures, within the above wattage range. Replacement ballasts for existing fixtures are not affected by this rule making. Please contact your local Philips sales representative for a list of compliant ballasts.

Restrictions on Hazardous Substances (RoHS) is a European directive (2002/95/EC) designed to limit the content of 6 substances [lead, mercury, cadmium, hexavalent chromium, polybrominated biphenyls (PBB), and polybrominated diphenyl ethers (PBDE)] in electrical and electronic products.



Capacitor Specifications HID Non-PCB Capacitors

Mfd.	Voltage	Capacitor Part Number ²	Dia/Oval	Height	Ballast family where used
5	300	7C050L30RA	1.25	2.25	71A02x0, 5037, 5081, 5137, 78x1 (60 Hz)
6	300	7C060L30RA	1.25	2.75	71A5181, 78R1
7	300	7C070L30RA	1.25	2.75	71A1580, 50x7 (50 Hz. only), 79x1 (60 Hz)
7.5	400	7C075M40	1.50	2.90	Bi-Level, 71A5283
8	300	7C080L30RA	1.25	2.75	71A20x0, 52x0, 52x2 (60 Hz. only), 5237, 5281
8.4	300	7C084L33R	1.25	2.90	71A79x1 (50 Hz)
10	300	7C100M30RA	1.65	2.75	71A25x1 (60 Hz), 50Y1, 52Y1, 52Y2, 5337, 5340-T, 5383, 53Y3, 80x1 (60 Hz)
10	400	7C100M40R	1.40	3.75	71A55x0 (60 Hz)
11	400	7C110M40	1.65	3.75	71A55x3
12	300	7C120M30RA	1.65	2.75	71A25x1 (50 Hz), 29D1, 50x1 (50 Hz), 53x0 (60Hz, except 5340-T), 5637, 80x1 (50 Hz)
12	450	MD1204-100	1.75	2.90	71A55x0 (50 Hz)
13	525	MD1300-100	1.75	3.90	71A57E6
14	120	7C140L12RA	1.25	2.25	71A7707
14	300	7C140M30RA	1.65	2.75	71A04x0, 29R0, 52x1 (50 Hz), 52x2 (50 Hz), 5437, 5737, 81x2 (60 Hz)
15	330	7C150M33	1.65	2.75	71A56x2, 56x3
15	400	7C150P40R	1.75	3.75	71A57x0 (60 Hz), 57x1
16	300	7C160M30RA	1.65	2.75	71A05F0, 54x0, 54x2, 80x0
16	400	7C160P40	1.75	3.75	71A81x0, 07x0
16	525	MD1606-100	1.75	3.90	71A57x4, 82x0
16	525	MD1606-100	1.75	3.90	71A43x0
17	400	7C170P40	1.75	3.75	71A55x4, 5634, 57x2
17	550	MD1701-000	1.75	3.90	71A83x0
17.5	300	7C175M30RA	1.65	3.75	71A0590, 30x2, 53N0, 5837, 81x2 (50 Hz)
18	400	7C180P40R	1.75	3.75	56x3 (50 Hz), 71A57x0 (50 Hz), 89x4
20	120	7C200M12RA	1.25	2.75	71A0201, 7705, 7807
20	330	7C200P33R	1.75	3.75	71A57x2 (50 Hz), 53MO, 5880, 5937, 6037, 6137, 79x0, 81R6, 8146, 8176, 8196
20	450	MD2006-100	1.75	3.90	71A60x6
21	400	7C210P40R	1.75	4.80	71A58x2 (60 Hz)
21	525	MD2100-030	1.75	3.90	71A59x4, 60x4 (60 Hz), 6334, 64x8
22	240	7C220M24RA	1.65	2.75	71A54A3
22.5	300	7C225P30RA	1.65	3.75	71A35x2 (60 Hz), 5486, 6337
22.5	400	7C225P40	1.75	3.75	71A59x3
24	300	7C240P30RA	1.65	3.75	71A79x6, 89x1
24	400	7C240P40R	1.75	4.80	71A58x2 (50 Hz), 60x1 (60 Hz), 63x2
24	480	MD2409-000	1.75	3.90	71A84x0, 65x3 (60 Hz), 65x1
24	480	MD2409-100	1.75	3.90	71A50x0, 60N1, 65x2 (60 Hz), 65x0
25	345	7C250P34	1.75	4.80	71A59x3 (50 Hz)
26	330	7C260P33R	1.75	4.80	71A60x2 (60 Hz), 61E6
26	330	7C260S33R	2.00	4.80	Alternative to 7C260P33R
26	540	MD2602-100	1.75	5.30	71A60M2, 65x2 (50 Hz), 65x3 (50 Hz only)
26.5	400	7C265P40R	1.75	4.80	71A63x3 (60 Hz)
27.5	240	7C275P24RAT1	1.75	3.75	71A79J9
28	120	7C280M12RA	1.65	2.75	71A5005, 5105, 7805, 7907
28	300	7C280P30RA	1.75	3.75	71A35R2, 54x2 (50 Hz), 79x8, 82x6, 89x0
28	400	7C280S40	2.00	4.80	71A64x0, 64x2 (60 Hz)
28	580	MD1408-230	1.50	3.90	71A87x3 (50 Hz only, uses two 14mfd-580 volt capacitors in parallel)
30	345	7C300S34	1.75	4.80	71A60N2
32	525	MD3202-100	2.00	3.75	71A67x2 (60 Hz)
34	240	7C340P24RA	1.65	3.75	71A80x3, 71A80x8
35	240	7C350P24RA	1.65	3.75	71A54M2, 80x6, 82x1 (60 Hz)
35	300	7C350P30RA	1.65	4.75	71A40x1 (60 Hz)
36	120	7C360M12RA	1.65	2.75	71A5205, 8007, 50Y5
40	300	7C400P30RA	1.75	4.75	71A40R1, 65E6 (two in series), 82x1 (50 Hz only), 65Y6 (two in series)
45	120	7C450P12RA	1.65	2.75	71A8005
45	300	7C450P30RA	1.75	4.75	71A65M6, 83x1
48	300	7C480P30RA	1.75	4.75	71A84x6, 85x6
52	240	7C520P24RA	1.75	3.75	71A8156, 81E6
52	280	7C520S28RA	2.00	4.00	Bi-Level
55	120	7C550P12RA	1.65	3.75	71A8107
55	240	7C550P24RA	1.75	3.75	71A81x8, 84x3 (60 Hz)
58	240	7C580P24RA	1.75	3.75	71A8593
60	240	7C600P24RA	1.75	3.75	71A99x2, 71A9968
64	280	7C640S28RA	2.00	5.00	71A84x3 (50 Hz), 85x5
66	280	7C660S28RA	2.00	5.00	71A9942, 71A9943
75	280	7C750S28RA	2.00	5.00	71A86x5

1. "R" suffix denotes capacitors with a discharge resistor where required by UL.

2. MD_ denotes 90° Oil Filled, 7C_ denotes 105° Dry Film with leads.