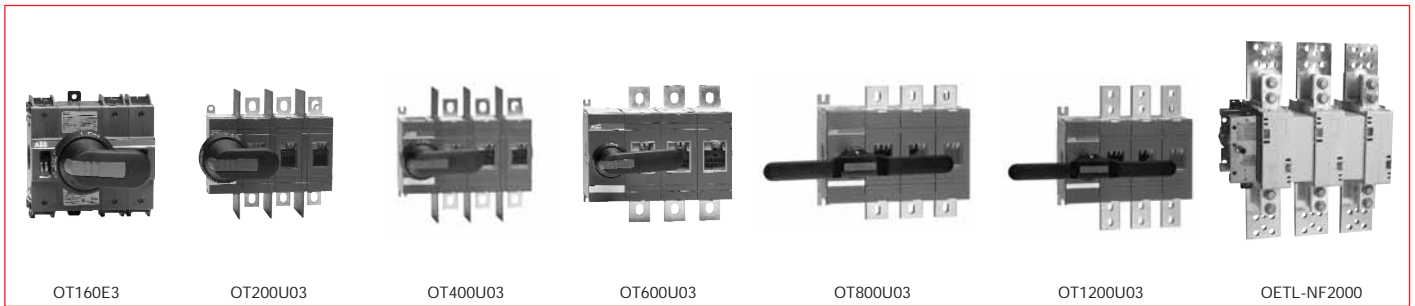


# Overview

## Non-fusible disconnect switches

### OT160E3 – OETL-NF2000



Catalog number	3 pole	OT160E3	OT200U03	OT400U03	OT600U03	OT800U03	OT1200U03	OETL-NF1600	OETL-NF2000
<b>General purpose amp rating</b>	<b>A</b>	<b>125</b>	<b>200</b>	<b>400</b>	<b>600</b>	<b>800</b>	<b>1200</b>	<b>1600</b>	<b>2000</b>
Catalog reference	Page #	1.15	1.18	1.18	1.18	1.18	1.18	1.18	1.18
<b>Approvals<sup>①</sup></b>	2 pole 3 pole 4 pole	CSA C22.2 No.4 CSA C22.2 No.4 CSA C22.2 No.4	CSA C22.2 No.4 CSA C22.2 No.4 CSA C22.2 No.4	CSA C22.2 No.4 CSA C22.2 No.4 CSA C22.2 No.4	CSA C22.2 No.4 CSA C22.2 No.4 CSA C22.2 No.4	CSA C22.2 No.4 CSA C22.2 No.4 CSA C22.2 No.4	CSA C22.2 No.4 CSA C22.2 No.4 CSA C22.2 No.4	CSA C22.2 No.4 CSA C22.2 No.4 IEC	CSA C22.2 No.4 CSA C22.2 No.4 IEC
<b>Technical ratings</b> <b>CSA, UL<sup>②</sup></b>									
Max operating voltage	V	600	600	600	600	600	600	600	480
Max horsepower rating									
Three phase									
200 – 208V	HP	30	60	100	150	200	—	—	—
240V	HP	40	75	125	200	250	—	—	—
480V	HP	75	150	250	450	500	—	—	—
600V	HP	100	200	350	500	500	—	—	—
Single phase									
120V	HP	7.5	—	—	—	—	—	—	—
240V	HP	20	—	—	—	—	—	—	—
<b>Technical ratings</b> <b>IEC<sup>③</sup></b>									
Rated insulation and operational voltage. AC20 and DC20 <sup>④</sup>	V	750	1000	1000	1000	1000	1000	1000	1000
Rated thermal current, I <sub>th</sub>									
AC 20/DC 20 open	A	200	250	400	800	1000	1600	2500	2500
AC 20/DC 20 enclosed	A	160	250	400	800	1000	1600	2300	2300
AC 21A 500V	A	160	250	400	800	1000	1600	2500	2500
690V	A	160	250	400	800	1000	1600	2500	2500
Rated operational power AC23									
400/415V	kW	75	140	220	400	450	560	400	400
690V	kW	75	240	390	800	800	800	—	—
<b>Physical characteristics</b>									
Weight <sup>⑤</sup>	3 pole	Kg	1.1	1.2	2.2	5.2	17	19	57.9
Dimension	3 pole	H mm	127	170	220	250	372	372	636
		W mm	126	170	221	266	334	334	468
		D mm	74	84	105	139	141	141	271
<b>Accessories</b>									
Terminal lug kit		Integral	OZXA-200	OZXA-400	OZXA-800	OZXA-1200	OZXA-1200	DSK8TL	DSK8TM
Terminal shroud		•	•	•	•	•	•	—	—
Auxiliary contact		•	•	•	•	•	•	•	•
Handle CSA/UL/NEMA type									
Type 1, 3R, 12		•	•	•	•	•	•	•	•
Type 1, 3R, 4, 4X, 12		•	•	•	•	•	•	•	•
Handle type									
Selector		—	—	—	—	—	—	—	—
Pistol		•	•	•	•	•	•	•	•
Conversion kits									
6 pole		•	•	•	•	•	•	—	—
Transfer		•	•	•	•	•	•	—	—
Bypass		•	•	•	•	•	•	—	—
Mechanical interlock		•	•	•	•	•	•	•	•
Electrical interlock		—	•	•	•	•	•	•	•

• = Available  
— = Not available

**CSA approved, UL listed, IEC rated, CE marked**

① CSA approved switches are also UL listed.  
② For complete technical information please see page 1.28 – 1.35.  
③ 1000V, IEC 408.  
④ Switch only

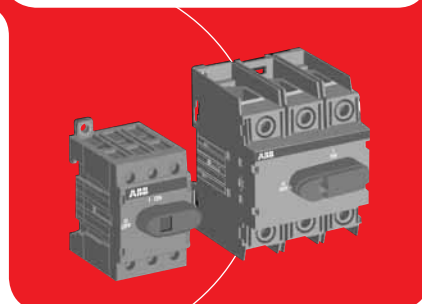
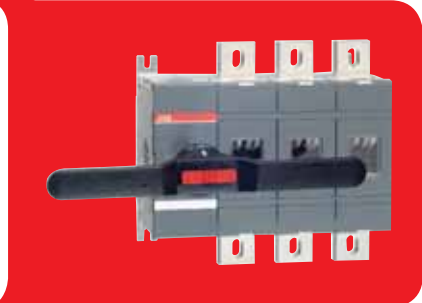
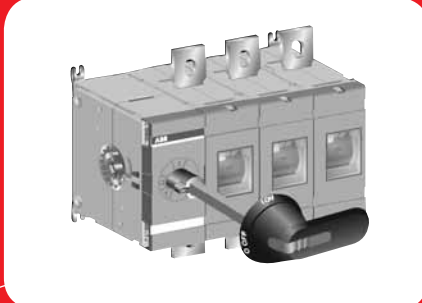
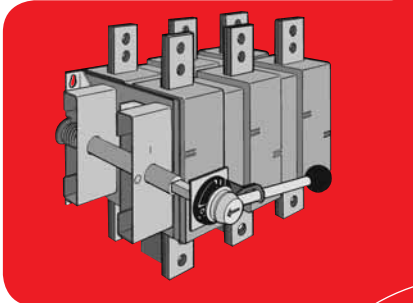
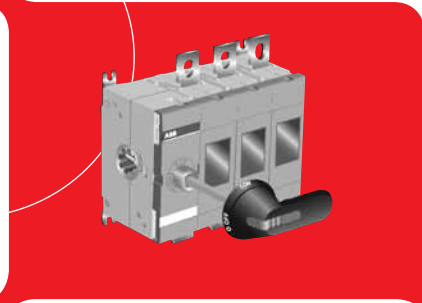
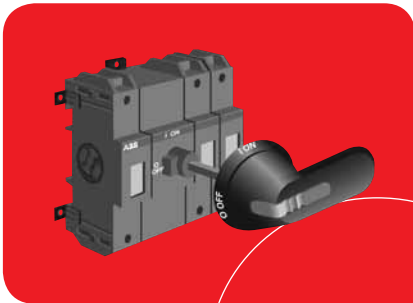


# Enhanced range of non-fusible disconnect switches

From 16 to 2000 A, 600 V

The non-fusible disconnect switches are suitable for diverse applications, in motor control centers, in switchboards and as main switches in various equipments and machines. From single to 8-poles front operated switches with pistol handle or direct mounted handle. For installation in enclosures, side operated switches and combination switches for change-over, bypass, reversing etc.

- Mountable on DIN rails or base plates and on the door, both by snap-on and screw fitting
- Snap-on mounting of accessories



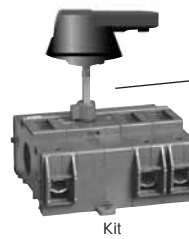
# Components list

## for non-fusible disconnect switches

### 16A – 2000A, 600V, 3 pole<sup>①</sup>



Each kit includes:  
 1 three pole<sup>②</sup> switch  
 1 handle  
 1 shaft



handle<sup>②</sup>  
 shaft  
 switch  
 terminal lug kit<sup>③</sup>

### Components for base & DIN rail mounted switches with selector handles

Complete switches catalog number	Switch		Handle <sup>②</sup>			Shaft			Terminal lugs <sup>③</sup>		
	Catalog number	NEMA type	Marking	De-feat-able	Catalog number	Mounting depth <sup>④</sup> (mm)	Length (mm)	Catalog number	Wire size	Wire type	Catalog number
OT16E3S	OT16E3	1,3R,12	O/I & OFF/ON	Y	OHB2AJ	190 – 205	180	OXS5X180	#18 – #8	Cu	Integral
OT25E3S	OT25E3	1,3R,12	O/I & OFF/ON	Y	OHB2AJ	190 – 205	180	OXS5X180	#18 – #8	Cu	Integral
OT32E3S	OT32E3	1,3R,12	O/I & OFF/ON	Y	OHB2AJ	190 – 205	180	OXS5X180	#18 – #8	Cu	Integral
OT45E3S	OT45E3	1,3R,12	O/I & OFF/ON	Y	OHB2AJ	205 – 220	180	OXS5X180	#14 – #1	Cu	Integral
OT63E3S	OT63E3	1,3R,12	O/I & OFF/ON	Y	OHB2AJ	205 – 220	180	OXS5X180	#14 – #1	Cu	Integral
OT30E3S	OT30E3	1,3R,12	O/I & OFF/ON	Y	OHB2AJ	195 – 215	180	OXS5X180	#14 – #4	Cu	Integral
OT60E3S	OT60E3	1,3R,12	O/I & OFF/ON	Y	OHB2AJ	195 – 215	180	OXS5X180	#14 – #4	Cu	Integral
OT100E3S	OT100E3	1,3R,12	O/I & OFF/ON	Y	OHB2AJ	195 – 215	180	OXS5X180	#8 – 1/0	Cu	Integral

### Components for base & DIN rail mounted switches with pistol handles

Complete switches catalog number	Switch		Handle <sup>②</sup>			Shaft			Terminal lugs <sup>③</sup>		
	Catalog number	NEMA type	Marking	De-feat-able	Catalog number	Mounting depth <sup>④</sup> (mm)	Length (mm)	Catalog number	Wire size	Wire type	Catalog number
OT16E3P	OT16E3	1,3R,12	O/I & OFF/ON	Y	OHB65J5	175 – 190	170	OXF5X170	#18 – #8	Cu	Integral
OT25E3P	OT25E3	1,3R,12	O/I & OFF/ON	Y	OHB65J5	175 – 190	170	OXF5X170	#18 – #8	Cu	Integral
OT32E3P	OT32E3	1,3R,12	O/I & OFF/ON	Y	OHB65J5	175 – 190	170	OXF5X170	#18 – #8	Cu	Integral
OT45E3P	OT45E3	1,3R,12	O/I & OFF/ON	Y	OHB65J5	195 – 205	170	OXF5X170	#14 – #1	Cu	Integral
OT63E3P	OT63E3	1,3R,12	O/I & OFF/ON	Y	OHB65J5	195 – 205	170	OXF5X170	#14 – #1	Cu	Integral
OT30E3P	OT30E3	1,3R,12	O/I & OFF/ON	Y	OHB65J5	180 – 205	170	OXF5X170	#14 – #4	Cu	Integral
OT60E3P	OT60E3	1,3R,12	O/I & OFF/ON	Y	OHB65J5	180 – 205	170	OXF5X170	#14 – #4	Cu	Integral
OT100E3P	OT100E3	1,3R,12	O/I & OFF/ON	Y	OHB65J5	180 – 205	170	OXF5X170	#8 – 1/0	Cu	Integral
OT160E3P	OT160E3	1,3R,12	O/I & OFF/ON	Y	OHB65J6	185 – 215	210	OXF6X210	#8 – 1/0	Cu	Integral
OT200U03P	OT200U03	1,3R,12	O/I & OFF/ON	Y	OHB80J6	220 – 320	210	OXF6X210	#6 – 300 kcmil	Cu/Al	OZXA-200
OT400U03P	OT400U03	1,3R,12	O/I & OFF/ON	Y	OHB145J12	260 – 370	280	OXF12X280	#2 – 600 kcmil	Cu/Al	OZXA-400
OT600U03P	OT600U03	1,3R,12	O/I & OFF/ON	Y	OHB145J12	260 – 370	280	OXF12X280	(2)#2 – 600 kcmil	Cu/Al	OZXA-800
OT800U03P	OT800U03	1,3R,12	O/I & OFF/ON	Y	OHB200J12	295 – 390	280	OXF12X280	(4)#2 – 600 kcmil	Cu/Al	OZXA-1200
OT1200U03P	OT1200U03	1,3R,12	O/I & OFF/ON	Y	OHB200J12	295 – 390	280	OXF12X280	(4)#2 – 600 kcmil	Cu/Al	OZXA-1200
OETL-NF1600P	OETL-NF1600	1,3R,4,4X,12	OFF/ON	—	YASDA-8	340 – 585	325	OXF12X325	(4)#1/0 – 750 kcmil	Cu/Al	DSK8TL
OETL-NF2000P	OETL-NF2000	1,3R,4,4X,12	OFF/ON	—	YASDA-8	340 – 585	325	OXF12X325	(6)#1/0 – 750 kcmil	Cu/Al	DSK8TM

### Components for door mounted switches

Complete switches catalog number	Switch		Handle <sup>②</sup>			Shaft			Terminal lugs <sup>③</sup>		
	Catalog number	NEMA type	Marking	De-feat-able	Catalog number	Mounting depth (mm)	Length (mm)	Catalog number	Wire size	Wire type	Catalog number
OT16ET3S	OT16ET3	1,3R,12	O/I & OFF/ON	—	OHB2PJ	—	No shaft required		#18 – #8	Cu	Integral
OT25ET3S	OT25ET3	1,3R,12	O/I & OFF/ON	—	OHB2PJ				#18 – #8	Cu	Integral
OT32ET3S	OT32ET3	1,3R,12	O/I & OFF/ON	—	OHB2PJ				#18 – #8	Cu	Integral
OT45ET3S	OT45ET3	1,3R,12	O/I & OFF/ON	—	OHB2RJ	—	No shaft required		#14 – #1	Cu	Integral
OT63ET3S	OT63ET3	1,3R,12	O/I & OFF/ON	—	OHB2RJ				#14 – #1	Cu	Integral
OT30ET3S	OT30ET3	1,3R,12	O/I & OFF/ON	—	OHB2RJ	—	No shaft required		#14 – #4	Cu	Integral
OT60ET3S	OT60ET3	1,3R,12	O/I & OFF/ON	—	OHB2RJ				#14 – #4	Cu	Integral
OT100ET3S	OT100ET3	1,3R,12	O/I & OFF/ON	—	OHB2RJ				#8 – #1/0	Cu	Integral
OT30ET3P	OT30ET3	1,3R,12	O/I & OFF/ON	—	OHB65J5	—	Include OHZX6 adapter		#14 – #4	Cu	Integral
OT60ET3P	OT60ET3	1,3R,12	O/I & OFF/ON	—	OHB65J5				#14 – #4	Cu	Integral
OT100ET3P	OT100ET3	1,3R,12	O/I & OFF/ON	—	OHB65J5				#8 – 1/0	Cu	Integral
OT160ET3	OT160ET3-2	1,3R,12	O/I & OFF/ON	—	OHB65J6	—	130	OXF6X130	#8 – 1/0	Cu	Integral

① Other pole configurations available; please see individual components.

② All handles are black and accept three padlocks. For other handles please see individual components.

③ Terminal lug kit for OT/OETL switches are sold separately, see accessories page 1.21.

④ Mounting depth is the distance from the outside of door to the disconnect switch mounting plate. Shaft can be cut to desired length.

# 30A – 125A

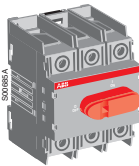
## Non-fusible disconnect switches

### Base & DIN rail mounted, door mounted

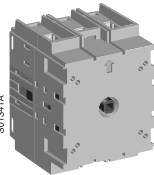


For a complete assembly,  
please select one of each:

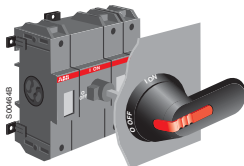
- 1 switch
- 1 handle
- 1 shaft<sup>①</sup>



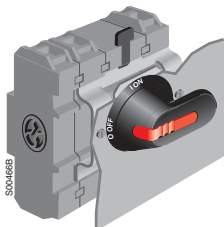
OT100E3



OT100E3



OT160E3



OT160E3

### Base and DIN rail mounted, 30 – 100 Amp switches, 600V, 3 pole<sup>②</sup>

CSA general purpose amp rating	CSA standard C22.2 No.	Maximum horsepower rating						Terminal lugs		Shaft Size (MM)	Catalog number	List price
		Single phase		Three phase				Wire size	Wire type			
		120V	240V	200V	240V	480V	600V					
30	4	2	5	10	10	20	30	#14 – #4	Cu	5	OT30E3 OT60E3 OT100E3	
60	4	3	7.5	20	20	40	40	#14 – #4				
100	4	5	15	25	30	50	50	#8 – 1/0				

### 30 – 100 Amp switches- 600V, 6 pole

CSA general purpose amp rating	CSA standard C22.2 No.	Maximum horsepower rating						Terminal lugs		Shaft Size (MM)	Catalog number	List price
		Single phase		Three phase				Wire size	Wire type			
		120V	240V	200V	240V	480V	600V					
30	4	2	5	10	10	20	30	#14 – #4	Cu	6	OT30E6 OT60E6 OT100E6	
60	4	3	7.5	20	20	40	40	#14 – #4				
100	4	5	15	25	30	50	50	#8 – 1/0				

### 30 – 100 Amp switches- 600V, 3 pole change-over switches

CSA general purpose amp rating	CSA standard C22.2 No.	Maximum horsepower ratings						Terminal lugs		Shaft Size (MM)	Catalog number	List price
		Single phase		Three phase				Wire size	Wire type			
		120V	240V	200V	240V	480V	600V					
30	4	2	5	10	10	20	30	#14 – #4	Cu	5	OT30E3C OT60E3C OT100E3C	
60	4	3	7.5	20	20	40	40	#14 – #4				
100	4	5	15	25	30	50	50	#8 – 1/0				

### Door mounted, 30 – 100 Amp switches, 600V, 3 pole<sup>①②</sup>

CSA general purpose amp rating	CSA standard C22.2 No.	Maximum horsepower rating						Terminal lugs		Shaft Size (MM)	Catalog number	List price
		Single phase		Three phase				Wire size	Wire type			
		120V	240V	200V	240V	480V	600V					
30	4	2	5	10	10	20	30	#14 – #4	Cu	-	OT30ET3 OT60ET3 OT100ET3	
60	4	3	7.5	20	20	40	40	#14 – #4				
100	4	5	15	25	30	50	50	#8 – 1/0				

### Base & DIN rail mounted, 125 Amp switches, 600V

CSA general purpose amp rating	CSA standard C22.2 No.	Maximum horsepower rating						Terminal lugs		Shaft Size (MM)	Catalog number	List price
		Single phase		Three phase				Wire size	Wire type			
		120V	240V	200V	240V	480V	600V					
<b>2 pole</b> 125	4	—	—	—	—	—	—	#8 – 1/0	Cu	6	OT160E2	
<b>3 pole</b> 125	4	7.5	20	30	40	75	100	#8 – 1/0	Cu	6	OT160E3	

### 125 Amp Door mounted switch, 600V, 3 pole

CSA general purpose amp rating	CSA standard C22.2 No.	Maximum horsepower rating						Terminal lugs		Shaft Size (MM)	Catalog number	List price
		Single phase		Three phase				Wire size	Wire type			
		120V	240V	200V	240V	480V	600V					
125	4	7.5	20	30	40	75	100	#8 – 1/0	Cu	6	OT160ET3-2	

① Door mounted switches do not require shafts, except OT160ET3-2  
 ② A snap on fourth pole may be added — please reference accessories pg 1.14.