

# WALLSOURCE™ SERVICE BOXES



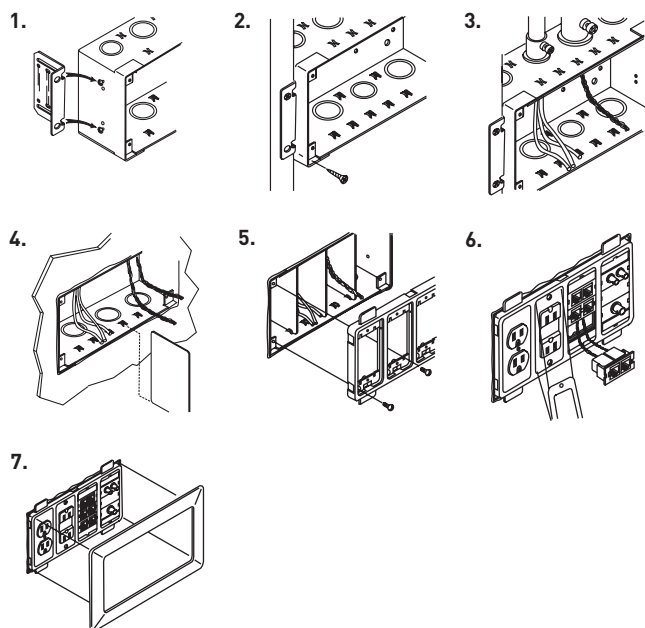
Wiremold® WallSource™ Multiple Service Boxes are six-gang boxes that can accommodate multiple services including power and communications eliminating multiple drops and uneven wall faceplates.

## CODE REFERENCE

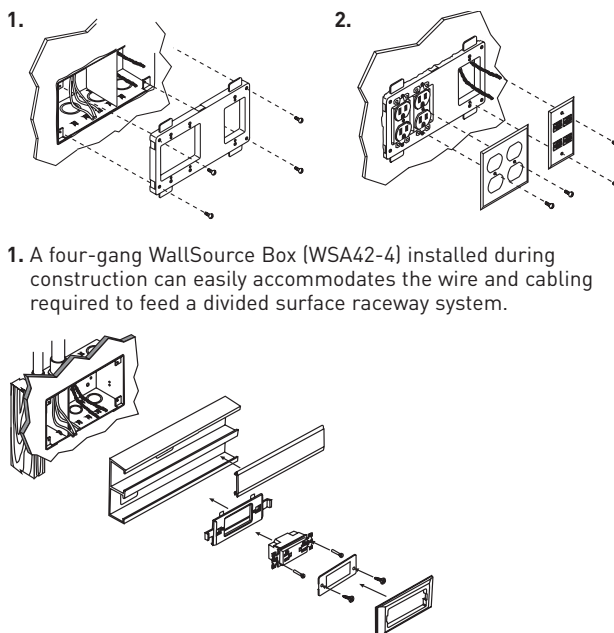
**UL Listed Wireway, Auxiliary Gutters & Associated Fittings:**  
File E2961 Guide QCIT.  
Meets Article 314 of NEC.

## WallSource Box Installation Details

### WSA42-4 Box Installation Shown



### Installing WSA00-4 on WSA42-4



1. A four-gang WallSource Box (WSA42-4) installed during construction can easily accommodate the wire and cabling required to feed a divided surface raceway system.

## COLOR OPTIONS



Wallsource Multiple Service Boxes and components are available in ivory, black, gray, light gray or white as indicated in the part number descriptions.

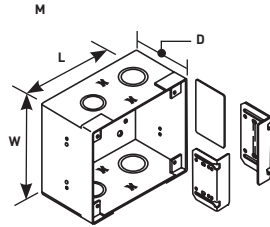
**Custom color options are also available. Consult the factory for more information.**

# WALLSOURCE™ SERVICE BOXES

## WallSource Service Boxes Ordering Information

### WSB42-2

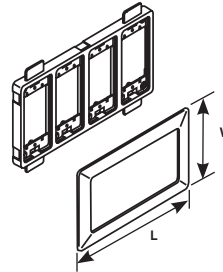
WallSource Box, Divider & Mounting Bracket



Slide-in dividers separate the box for power and communication services. Adjustable mounting brackets offer flexibility to flush mount box in 1/2", 5/8", 1", and 1 1/4" [12.7mm, 15.9mm, 25mm, and 32mm] wall thicknesses.

ORDERING DATA						
CAT. NO.	L	W	D	Gang	Trade Size KOs	
WSB42-2	4 3/4"	[121mm]	5"	[127mm]	3 1/4"	[83mm] 2 1/2", 3/4", 1"

### WSA07-4A Device Mounting Bracket & Trim Ring



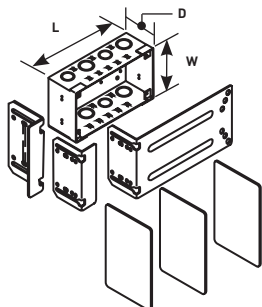
Self-leveling bracket accommodates a wide variety of electrical and communications devices. The trim ring hides the holecut to give the box a finished look. For use with: 5507 Series Faceplates, Ortronics® TracJack & Series II Modules, Pass & Seymour Activate Series Inserts and Wiremold Open System Communication Modules. Available

in white (WSA07-4AWH), black (WSA07-4ABK), gray (WSA07-4AG), and gray (WSA07-4AGY).

ORDERING DATA					
CAT. NO.	L		W		Gang
WSA07-4A	11 1/4"	[286mm]	7"	[177mm]	4

### WSA42-4

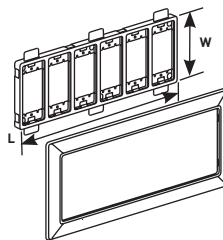
Wallsource Box, Divider & Mounting Brackets



Slide-in dividers separate the box for power and communication services. Adjustable mounting brackets offer flexibility to flush mount box in 1/2", 5/8", 1", and 1 1/4" [12.7mm, 15.9mm, 25mm, and 32mm] wall thicknesses.

ORDERING DATA						
CAT. NO.	L	W	D	Gang	Trade Size KOs	
WSA42-4	9 3/16"	[233mm]	5"	[127mm]	3 1/4"	[83mm] 4 1/2", 3/4", 1", 1 1/2"

### WSC07-6A Device Mounting Bracket & Trim Ring



Self-leveling bracket accommodates a wide variety of electrical and communications devices. The trim ring hides the holecut to give the box a finished look. For use with: 5507 Series Faceplates, Ortronics® TracJack & Series II Modules, Pass & Seymour Activate Series Inserts and Wiremold Open System Communication Modules. Available in white (WSC07-6AWH), black (WSC07-6ABK), gray (WSC07-6AG), and gray (WSC07-6AGY).

ORDERING DATA					
CAT. NO.	L		W		Gang
WSC07-6A	15 13/16"	[402mm]	7"	[177mm]	6

Parts identified with this symbol are Certified to Canadian Safety Standards for sale in Canada. When ordering these products, add "C" suffix to part number to denote the Canadian version, i.e. "WSB42-2C".