

PLUGMOLD® NM2000 SERIES™



Two-piece, single channel raceway. Easy-to-install and ideal for basic power or communication installations.

CODE REFERENCE

cULus Listed Base & Blank Cover:
File E4376 Guide RJBT.

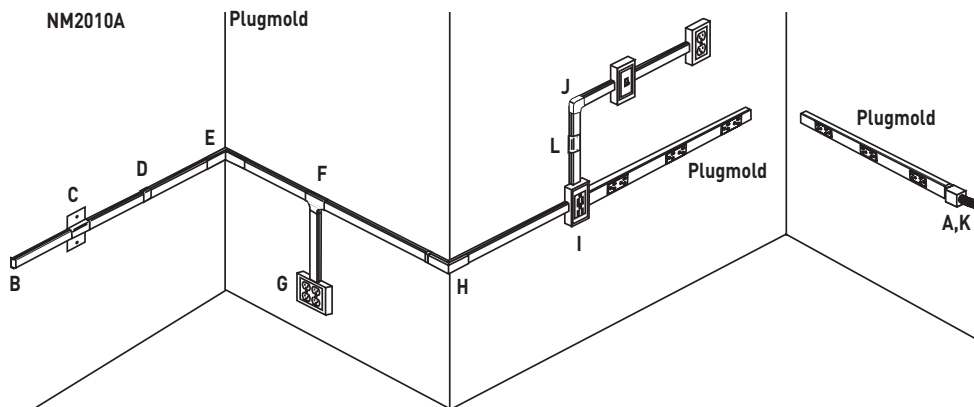
Multioutlet Assemblies:
File E15191 Guide PVGT.

Fittings:
File E41751 Guide RJPR.

Base and Blank Cover and Plugmold Series with Snapicoil Harness:
Meets Article 386 of NEC.
Meets Section 12-3032 of CEC.

Plugmold Wired Sections:
Meets Article 380 of NEC.
Meets Section 12-3032 of CEC.

Plugmold NM2000 Series System Layout



NOTE: Illustration is for showing product applications only.

KEY

- A. NM2010A Entrance End Fitting
- B. NM2010B Blank End Fitting
- C. NM2051H Horizontal Wall Box Adapter
- D. NM2006 Cover Clip
- E. NM2017 Internal Elbow
- F. NM2015 Tee Fitting
- G. NM2048-2 Two-Gang Device Box
- H. NM2018 External Elbow
- I. NM2048 Single-Gang Device Box
- J. NM2011 Flat Elbow
- K. NM2010A Entrance End Fitting
- L. NM2051V Vertical Wall Box Adapter Plugmold Plus Multioutlet System

COLOR OPTIONS



Plugmold® Plus NM2000 Series™ Part Numbers without a prefix have an ivory finish unless otherwise specified.

Custom color options are also available. Consult the factory for more information.

PLUGMOLD® NM2000 SERIES™

Plugmold NM2000 Series Wire Fill Capacities for Communications

	CABLE/WIRE SIZE	O.D. (Approx. Dia.)		40% FILL
		In	[mm]	
UNSHIELDED TWISTED PAIR	4-pair, 24 AWG, Cat 3	0.190	[4.8]	16
	4-pair, 24 AWG, Cat 5e	0.210	[5.3]	13
	4-pair, 24 AWG, Cat 6	0.250	[6.3]	9
	4-pair, 24 AWG, Cat 6a*	0.354	[9.0]	4
	25-pair, 24 AWG	0.410	[10.4]	3
COAXIAL	RG6/U	0.270	[6.9]	7
Fiber	ZipCord	0.118 x 0.236	[3 x 6]	16
	Round 4 Strand Fiber	0.187	[4.8]	16
	Round 6 Strand Fiber	0.256	[6.5]	8

NOTE: For additional information, refer to the Technical Section.

* Category 6 augmented (6a) cable for 10 gigabit ethernet – max allowed cable diameter per addenda No. 11 ANSI TIA/EIA 568-B.2.

Plugmold NM2000 Series Wire Fill Capacities for Power

WIRE SIZE THHN/THWN	O.D.		NUMBER OF CONDUCTORS
	Inches	[mm]	
14 AWG	0.111	[2.8]	45
12 AWG	0.130	[3.3]	31
10 AWG	0.164	[4.2]	15

Plugmold NM2000 Wiring Configuration

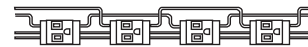
GB SERIES:

3-wire #12 THHN solid (1 hot, 1 neutral, and 1 ground), 1-circuit; has insulated grounding conductor.



GBA SERIES:

4-wire #12 THHN solid (2 hot, 1 neutral, and 1 ground), 2-circuits; outlets wired alternately; has insulated grounding conductor.



IG SERIES:

3-wire #12 THHN solid (1 hot, 1 neutral, and 1 ground), 1 circuit; has insulated-isolated grounding conductor, orange receptacle.



REELS: Reels available as follows:

- Lengths greater than 50' [15.2m]
- Multiple lengths
- For outlet spacing of 12" and 18" [305mm and 457mm], the maximum length is 240' [73m] per reel.
- For outlet spacing of 30" [762mm], the maximum length is 500' [152m] per reel.

Packaging includes the necessary lengths of NM2000B Base, NM2000C Hole Cut Cover, NM2000WC Wire Clips, and 2001 Couplings for complete installation. Price and delivery information should be obtained prior to specifying or ordering. To specify or order, add R to the Snapicoil Harness number. Ex: NM20GB12. Other outlet spacings available on custom order, contact your field sales representative or Specialized Products at 1-800-621-0049.

Plugmold NM2000 Multioutlet Strips

CAT NO.	LENGTH Feet [mm]		WIRING CONFIG	Duplex Outlets (15A 120V NEMA 5-15R) CENTER DISTANCE		
				Inches	[mm]	QTY.
NM20GB412	4	[1220]	GB	12	[305]	4
NM20GBA412			GBA	12	[305]	4
NM20IG412			IG	12	[305]	4
NM20GB512	5	[1525]	GB	12	[305]	5
NM20GB515			GB	15	[381]	4
NM20GB530			GB	30	[762]	2
NM20GBA512			GBA	12	[305]	5
NM20IG512			IG	12	[305]	5
NM20GB609	6	[1830]	GB	9	[229]	8
NM20GB612			GB	12	[305]	6
NM20GB618			GB	18	[457]	4
NM20GBA609			GBA	9	[229]	8
NM20GBA612			GBA	12	[305]	6
NM20IG612			IG	12	[305]	6

Plugmold NM2400 Multioutlet Strips

CAT NO.	LENGTH Feet [mm]		WIRING CONFIG	DUPLEX OUTLETS (20A 120V NEMA 5-20R) CENTER DISTANCE		
				Inches	[mm]	QTY.
NM24GB412	4	[1220]	GB	12	[305]	4
NM24GBA412			GBA	12	[305]	4
NM24GB512			GB	12	[305]	5
NM24GB530	5	[1525]	GB	30	[762]	2
NM24GBA512			GBA	12	[305]	5
NM24GB612	6	[1830]	GB	12	[305]	6
NM24GB618			GB	18	[457]	4
NM24GBA612			GBA	12	[305]	6
NM24GBA612			GBA	12	[305]	6

NOTE: Fed. Spec. duplex receptacles are made from high impact nylon and colored to match the raceway

Plugmold NM2000 with Snapicoil Harness

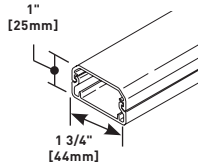
CAT NO.	LENGTH Feet [mm]		WIRING CONFIG	DUPLEX OUTLETS (15A 120V NEMA 5-15R) CENTER DISTANCE			NM2000B & NM2000C LENGTH		
				Inches	[mm]	QTY.	QTY.	Feet	[m]
NM20GB12	48	[14.6]	GB	12	[305]	48	8	6	[1.830]
NM20GBA12	48	[14.6]	GBA	12	[305]	48	8	6	[1.830]

PLUGMOLD® NM2000 SERIES™

Ordering Information

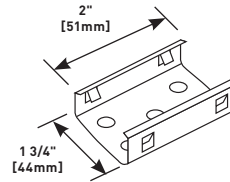
Plugmold NM2000 Series Ordering Information (continued)

NM2000BC Base and Cover



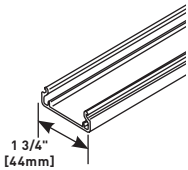
NM2000B and NM2000C packed ten 5' [1.5m] lengths of each per carton.

NM2003 Supporting Clip



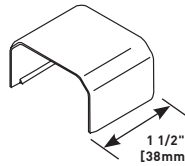
Supports lengths of raceway at any point desired. Mount to surface with No. 8 flathead screw.

NM2000B Raceway Base



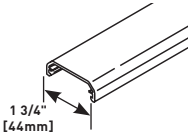
Single channel plastic base, ivory finish. Packed ten 8' [2.4m] lengths per carton.

NM2006 Cover Clip



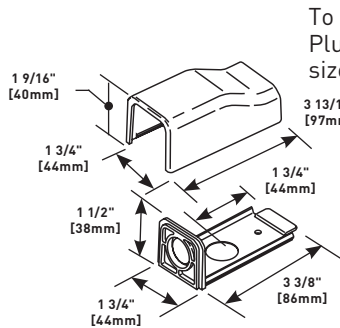
Covers seam where lengths of cover or base meet.

NM2000C Raceway Cover



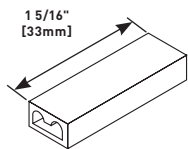
Tapered snap-on cover. Textured ivory finish. Packed ten 8' [2.4m] lengths per carton.

NM2010A Entrance End Fitting



To end feed raceway or Plugmold strip. Has 1/2" trade size KO on end and bottom.

W30/W30G Pressure-Type Wire Connectors

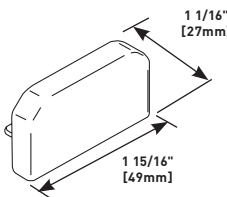


NOTE: Not for use with aluminum conductors.

W30 - For common connection of two, three, or four No. 12 or No. 14 solid copper conductors.

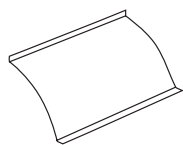
W30G - For connection of equipment grounding of 2, 3, or 4 solid conductors No. 14 or No. 12 AWG. 300V maximum; 20A 105° C maximum.

NM2010B Blank End Fitting



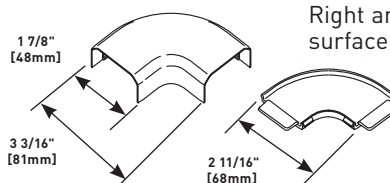
Closes off open end of NM2000 Series Raceway.

NM2000WC Wire Clip



Holds wire or cable in place or for use when conductors bypass receptacles.

NM2011 Flat Elbow



Right angle turns on same surface.