

BS2M Series

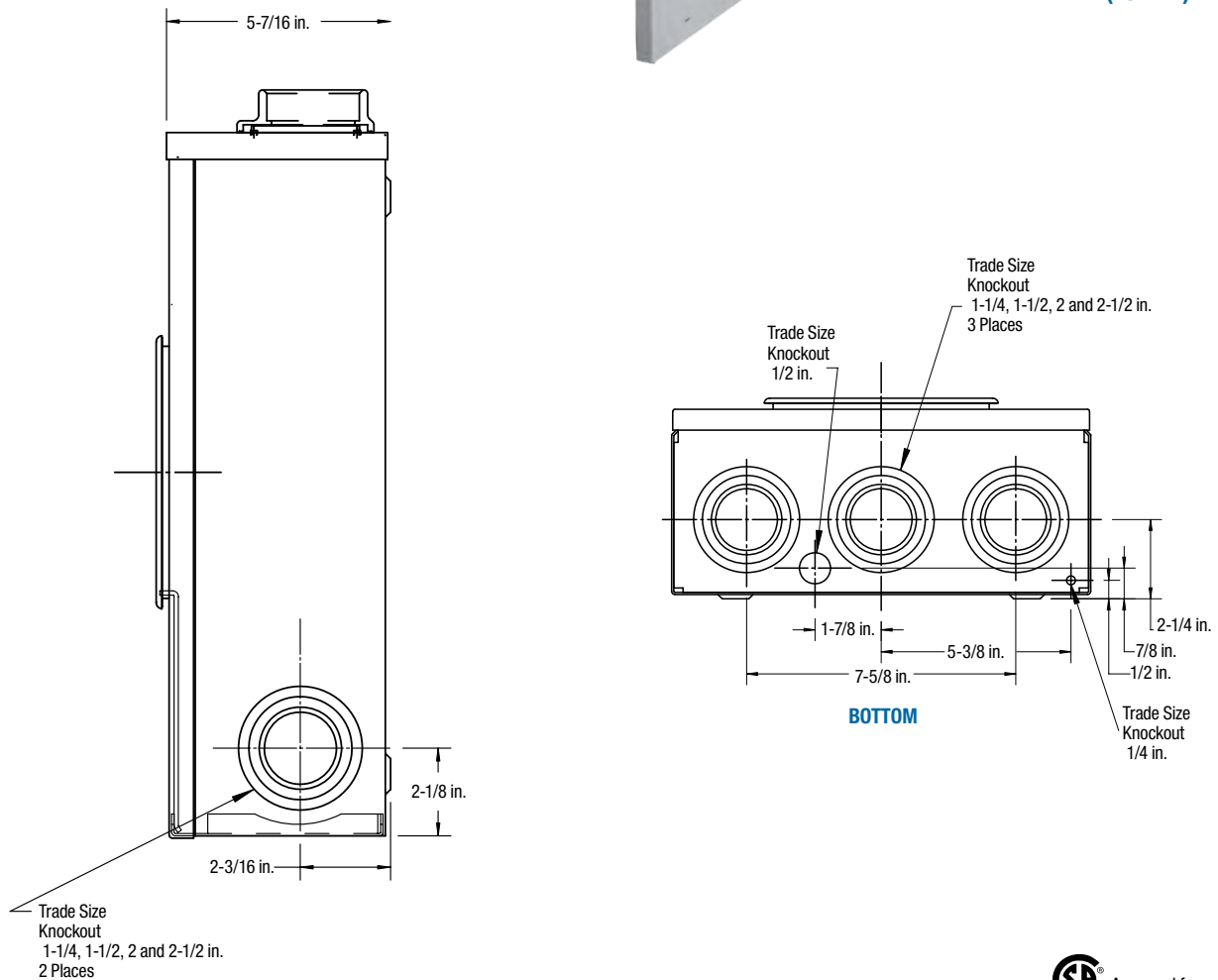
200 A 600 V; Oversize Enclosure,
Subfeed on Load Side

Product Specifications

- Conductor range: Line: 6 AWG-250 kcmil, Load: 12-1/0 AWG
- Aluminum tunnel type connector for line side
- For overhead service only
- Dual lug subfeed for load side
- Supplied with screw type ring
- Weatherproof Type 3R enclosure
- **Primarily used in: All provinces**



(BS2M-V)



 Approved for copper or aluminum

Cat. No.	Description	Dimensions (in.)			Weight Each	
		H	W	D	lb.	kg
4 JAW						
BS2M-V	Overhead, hub opening	17-1/8	12	5-7/16	15	6.8