

Fusible Disconnect switches



Fusible disconnect switches 30A – 1200A, 600VAC

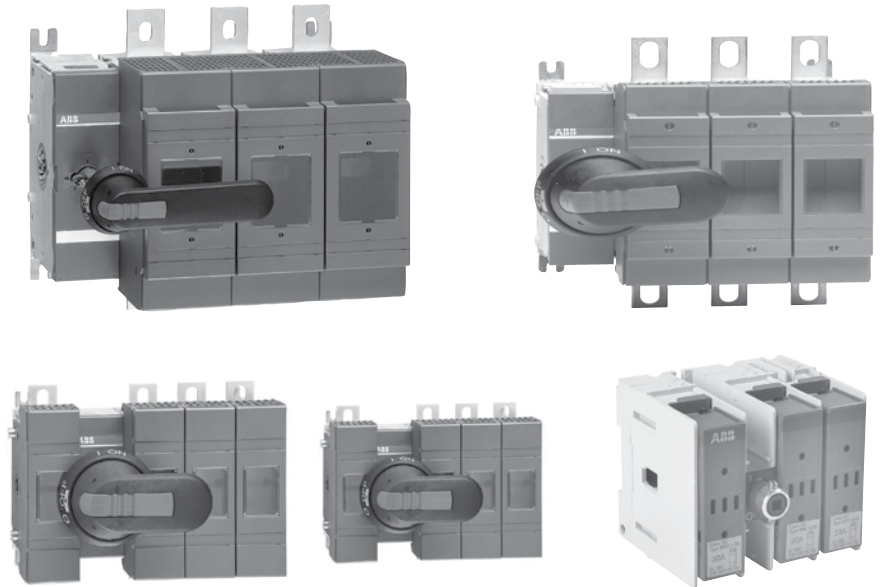


ABB PowerLine includes seven different amperage sizes from 30A to 1200A. All ABB fusible switches are designed to meet customer requirements in terms of high interrupting capacity and long electrical life while occupying little more panel space than the appropriate fuses. The basic construction provides flexibility and high performance in an extremely compact size. ABB PowerLine switches are a perfect choice to withstand the heat and humidity of the tropics, the extreme cold of the arctic and any rugged industrial environment you may have.

International acceptance

ABB fusible switches are available with a wide range of fuse clip options:

UL	USA	CSA	Canada
DIN	Europe	BS	United Kingdom
NFC	France	Ultra-rapid	

As well as the corresponding approvals: UL listed, CSA approved, IEC rated, CE marked, and most other international standards.

UL98 (CSA 22.2 No.4) – UL File # E101914, CSA File #LR58077

For 30A – 1200A switches, OH_ pistol grip handles

Suitable for use as motor disconnects or industrial control panel disconnects on service entrance equipment, panelboards, switchboards, industrial control equipment, motor control centers, etc. and are horsepower rated and ampere rated.

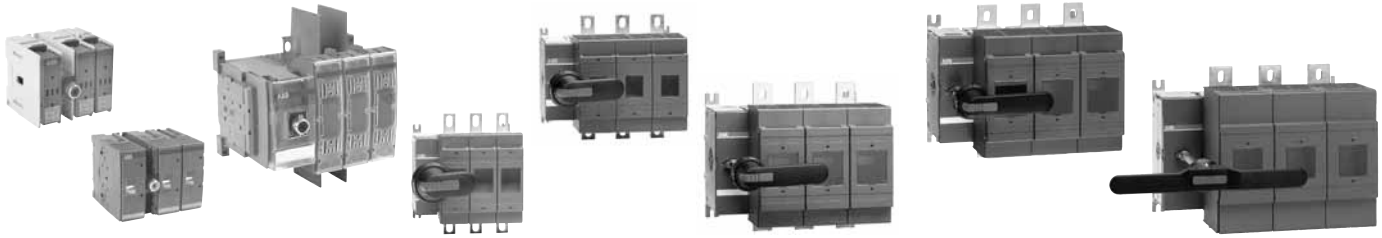
IEC

Tested in accordance to IEC 947-1 and 3, IEC 664, IEC 269, and IEC 204

CE

Compliance with the European Machine Directive IEC 204 (EN 60204)

Selection guide OS30FACC12 – OS1200L03



OS30FA_12 OS60J12 OS100J03 OS200J03 OS400J03 OS600J03 OS800L3 OS1200L03

Catalog number 3 pole			OS30FACC12	OS30FAJ12	OS60GJ12	OS100GJ03	OS200J03	OS400J03	OS600J03	OS800L3	OS1200L03	
General purpose amp rating			A	30	30	60	100	200	400	600	800	1200
Approvals ①			2 pole 3 pole 4 pole	N/A UL98 & IEC UL98 & IEC	N/A UL98 & IEC UL98 & IEC	N/A UL98 & IEC UL98 & IEC	UL98 & IEC UL98 & IEC UL98 & IEC	UL98 & IEC UL98 & IEC UL98 & IEC	UL98 & IEC UL98 & IEC UL98 & IEC	UL98 & IEC UL98 & IEC UL98 & IEC	UL98 & IEC UL98 & IEC IEC	
Technical ratings (UL, CSA)												
Max operating voltage			V	600	600	600	600	600	600	600	600	600
Max horsepower rating Three phase												
	240V	HP	7.5	7.5	15	30	60	125	200	250	—	
	480V	HP	15	15	30	60	125	250	400	500	—	
	600V	HP	20	20	50	75	150	350	500	600	—	
Single phase												
	120V	HP	2	2	—	—	—	—	—	—	—	
	240V	HP	3	3	—	—	—	—	—	—	—	
UL fuse class				CC	J	J	J	J	J	L	L	
Technical ratings (IEC)												
Rated insulation and operational voltage. AC20 and DC20			V	1000	1000	1000	1000	1000	1000	1000	1000	
Rated thermal current, I _{th}												
	AC 20/DC 20	open	A	32	32	63	160	200	400	630	800	1250
	AC 20/DC 20	enclosed	A	32	32	63	160	200	400	600	720	1250
	AC 21A	≤500V	A	32	32	63	160	200	400	630	800	1250
		≤690V	A	32	32	63	160	200	400	630	800	1250
Rated operational power AC23												
	400/415V	kW	14/15	14/15	30	80/90	110	220/230	355	350/380	560	
	690V	kW	25	25	60	132	200	400	560	600	1000	
Physical characteristics												
Weight												
	3 pole switch	lb	1.54	1.54	2.86	3.30	5.9	12.56	28.66	37.44	63.93	
	4 pole	lb	1.98	1.98	3.52	3.96	7.5	15.21	37.48	46.26	—	
Dimension												
	3 pole	H in	3.66	3.60	3.94	5.67	6.5	9.29	12.03	12.03	16.7	
		W in	4.15	4.15	5.63	7.07	7.1	10.04	13.86	13.86	16.42	
		D in	4.10	4.10	5.04	5.10	5.2	6.93	9.18	9.18	11.62	
Accessories												
Double break contacts			S	S	S	S	S	S	S	S	S	
Fuse cover			S	S	S	S	S	S	S	S	S	
Terminal lug kit			Integral	Integral	Integral	OZXA-24	OZXA-200	OZXA-400	OZXA-800	OZXA-1200	OZXA-1200	
Terminal shroud			Not required	Not required	Not required	•	•	•	•	•	•	
Auxiliary contact			•	•	•	•	•	•	•	•	•	
Shaft/handle diameter			6mm .24 x .24"	6mm .24 x .24"	6mm .24 x .24"	6mm .24 x .24"	6mm .24 x .24"	12mm .47 x .47"	12mm .47 x .47"	12mm .47 x .47"	12mm .47 x .47"	
Handle UL/NEMA type												
	Type 1, 3R, 12		•	•	•	•	•	•	•	•	•	
	Type 1, 3R, 4, 4X, 12		•	•	•	•	•	•	•	•	•	
Recommended pistol handle length			45 - 65mm	45 - 65mm	45 - 65mm	45 - 65mm	65 - 80mm	125 - 175mm	125 - 175mm	125 - 175mm	125 - 175mm	
Maximum recommended shaft length			290mm	290mm	290mm	290mm	290mm	595mm	595mm	595mm	595mm	
Electrical interlock			—	—	—	—	—	•	•	•	•	

S = Standard
• = Available
— = Not available

① UL listed switches are also CSA approved.

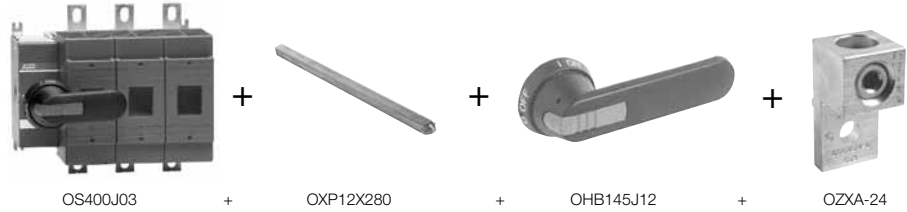
Base & DIN rail mounted 30 – 1200A

For a complete assembly, please select one of each:

- 1 switch (page 19.22)
- 1 handle (page 19.30)
- 1 shaft (page 19.32)
- 1 terminal lug kit (page 19.34)

NOTE: For additional accessories, see pages 19.29 - 19.42.

(Only required for 100A & above.)



	UL general purpose amp rating	UL Fuse Type 600V	2 Pole	3 Pole	4 Pole
			Catalog number	Catalog number	Catalog number
UL 98	30	J CC ①	— —	OS30FAJ12 OS30FACC12	OS30FAJ22F OS30FACC22F
	60	J	—	OS60GJ12 ② OS60GJ03	OS60GJ22F
	100	J	—	OS100GJ12 ② OS100GJ03 ②	OS100GJ04F
	200	J	OS200J02	OS200J03 OS200J30 OS200J12	OS200J04F OS200J13F OS200J22F
	400	J	OS400J02	OS400J03 OS400J30 OS400J12	OS400J04F
	600	J	OS600J02	OS600J03 OS600J30 OS600J12	OS600J04F
	800	L	OS800L02	OS800L03	OS800L04F
	1200	L	OS1200L02	OS1200L03	OS1200L04F

① Rejection style fuses only.

② Din Rail Mountable: 60A & 100A requires Din Rail Adapter OSGZD1

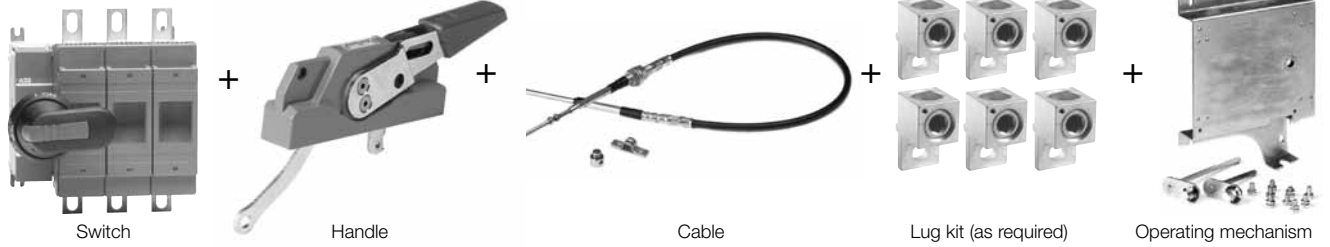
Disconnect switches
Fusible

Special configurations

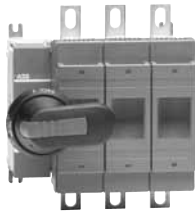
Cable operated flange

30A - 800A

For a complete assembly, please select one each of the following:



Fusible



OS200J03

UL general purpose amp rating	UL fuse type 600V	Catalog number
30	J	OS30FAJ12
30	CC	OS30FACC12
60	J	OS60GJ30
100	J	OS100GJ30
200	J	OS200J30
400	J	OES400J3-FC
600	J	OES600J3-FC
800	L	OES800L3-FC



OHF1C12

Flange handles – UL98; File #E101914

For use with:	Environmental rating	Catalog number
OS30_12, OS60J12, OS100AJ30, OS200J30	NEMA 1, 3R, 12	OHF1C12
	NEMA 4, 4X	OHF1C4
OES400_, OES600_, OES800_	NEMA 4, 4X	K7FCH4



OXC1L36-
OXC1L84

Flexible cables

For use with:	Cable length (inches)	Catalog number
OS30_12, OS60J12, OS100AJ30, OS200J30	36	OXC1L36
	48	OXC1L48
	60	OXC1L60
	72	OXC1L72
	84	OXC1L84
OES400_, OES600_, OES800_	48	K7C048
	60	K7C060
	72	K7C072
	84	K7C084

Operating mechanisms

For use with:	Catalog number
OS30AFJ12, OS30AFCC12	MKCS2
OS60GJ12	MKCS3
OS60GJ30, OS100GJ30, OS200J30	MKCS4