

PL27 Series

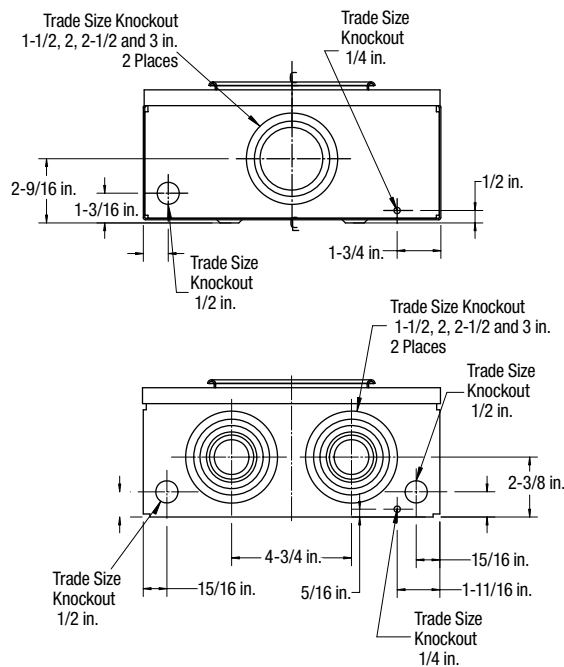
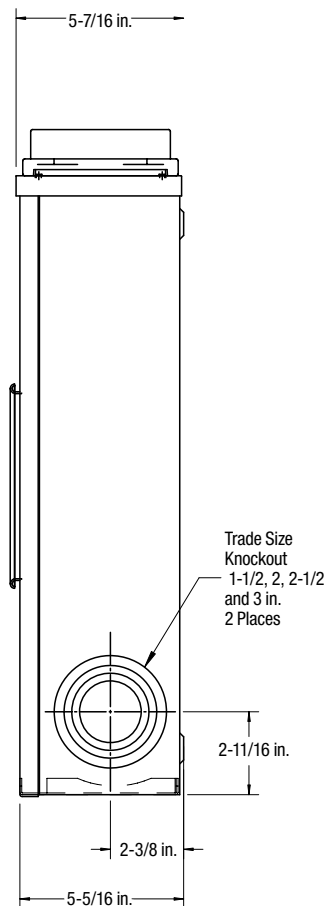
200 A 600 V; Polyphase


Product Specifications

- Conductor range: 6 AWG-250 kcmil
- Tunnel type connector for both load and line sides
- For overhead and combination overhead/underground service
- Larger hub opening requires use of 3 in., 3-1/2 in. or 4 in. hubs unless BS052 adapter plate is used
- Supplied with screw type ring
- Weatherproof Type 3R enclosure
- **Primarily used in: All provinces**



(PL27-V)



 Approved for copper or aluminum

Cat. No.	Description	Dimensions (in.)			Weight Each	
		H	W	D	lb.	kg
7 JAW						
PL27-V	Overhead hub opening	20-1/8	12	5-7/16	18	8.1
PL27-TCV	Combination overhead-underground					
PL27-IN-V	Overhead hub opening, Insulated neutral					
PL27-IN-TCV	Combination overhead-underground, Insulated neutral					