

Pole Line Hardware



SS401E - SS802E - SS803E - SS804E

Heavy Duty Spool Rack (12 kV)

Cat. No.	No. of Wires	Overall Length (in.)	Weight (100 pcs)		Std. Pkg.
			lb.	kg	
SS401E	1	9-1/2	300	136.3	10
SS802E	2	17-1/2	520	236.3	5
SS803E	3	25-1/2	780	354.5	
SS804E	4	33-1/2	1040	472.7	

Racks are made of 1 in. x 1 in. x 1/8 in. angle iron, assembled complete with 5/8 in. diameter rod and 3/16 in. diameter brass cotter pin. All ferrous parts are hot dip galvanized. Insulator cat. no. IB135 must be ordered separately (included in SS401E only).



MM801

Heavy Duty Spool Rack (15 kV)

Cat. No.	No. of Wires	Overall Length (in.)	Weight (100 pcs)		Std. Pkg.
			lb.	kg	
MM801	1	3	360	163.2	10

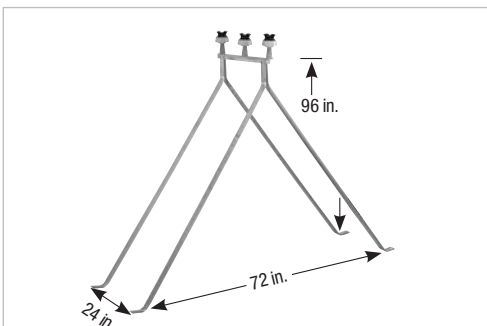


SS18

Medium Duty Spool Rack (8 kV)

Cat. No.	No. of Wires	Overall Length (in.)	Weight (100 pcs)		Std. Pkg.
			lb.	kg	
SS18	1	6-1/2	150	68.1	25

Medium duty spool rack is furnished complete with cat. no. IB134 insulator. All ferrous parts are hot dip galvanized.



603TH-604TH

Tripods

Cat. No.	No. of Wires	Weight (100 pcs)		Std. Pkg.
		lb.	kg	
603TH*	3	4000	1818.1	1
604TH	—	3800	1727.2	1

Type "T" (medium duty) is constructed of 1 in. x 1 in. x 1/8 in. angle iron. Type "TH" (heavy duty) is constructed of 1-1/4 in. x 1-1/4 in. x 3/16 in. angle iron. All ferrous parts are hot dip galvanized.

* Complete with IB400.