

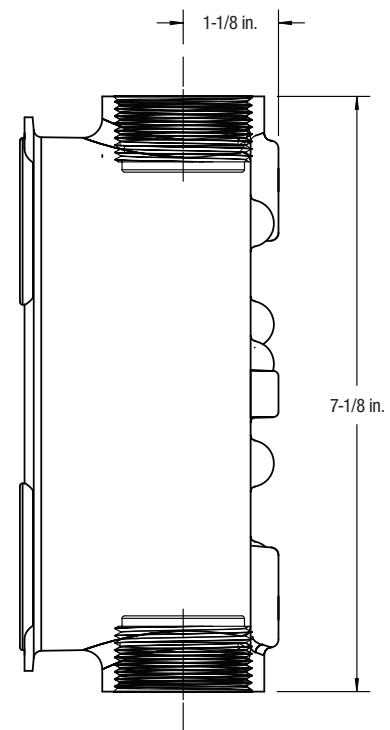
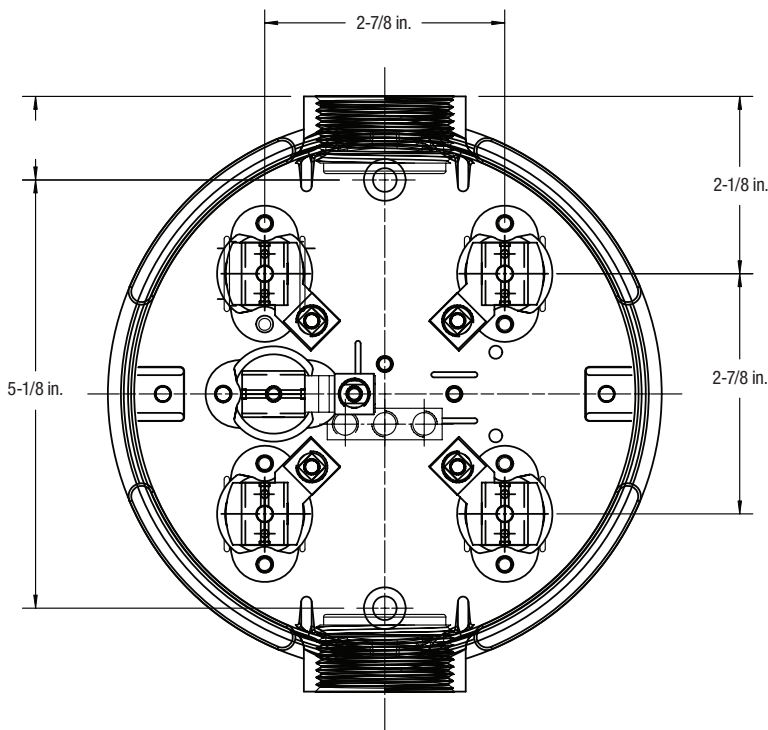


R3 Series

Round Aluminum 100 A 600 V Max.

Product Specifications

- Conductor range: 14-2 AWG
- Aluminum tunnel type connectors for both load and line sides
- Can be converted from vertical to horizontal mounting using same components
- Supplied with screw type ring
- Aluminum die cast socket
- Weatherproof Type 3R enclosure
- **Primarily used in: B.C., Northern Ont.**



 Approved for copper only

Cat. No.	Description	Dimensions (in.)		Weight Each	
		Dia.	D	lb.	kg
4 JAW					
R3-1V	1 in. hub	7-1/8	3-1/8	2	0.9
R3-1-1/4V	1-1/4 in. hub				
R3-1-5V	1 in. hub - 5th jaw, standard capacity, 9 o'clock position				
R3-1 1/4-5V	1-1/4 in. hub - 5th jaw, standard capacity, 9 o'clock position				