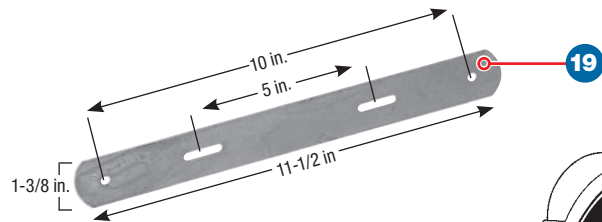
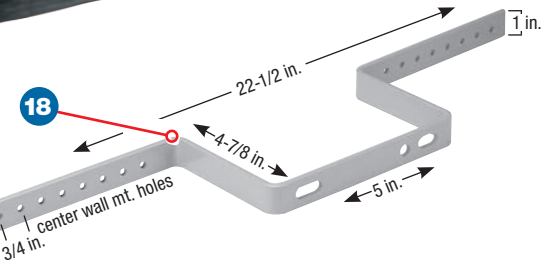
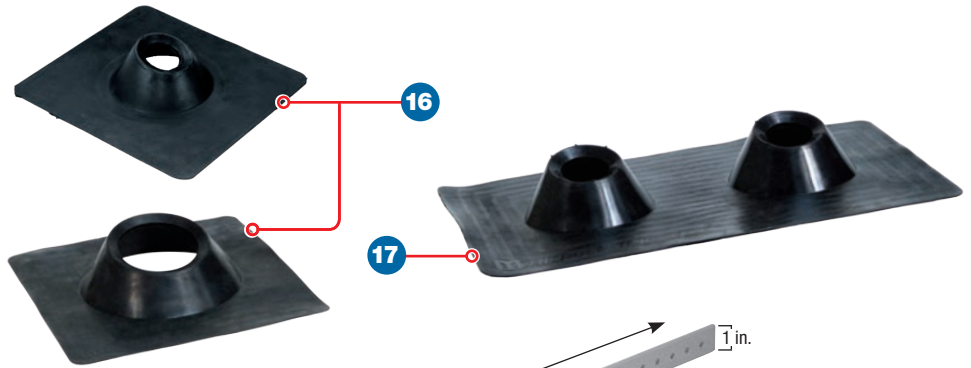
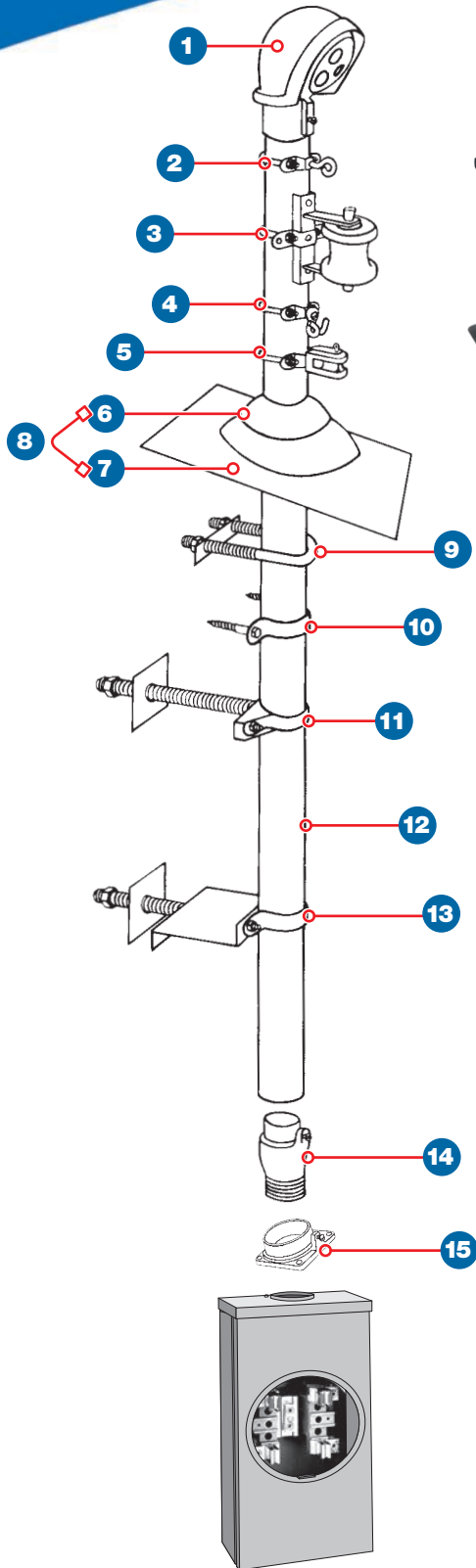
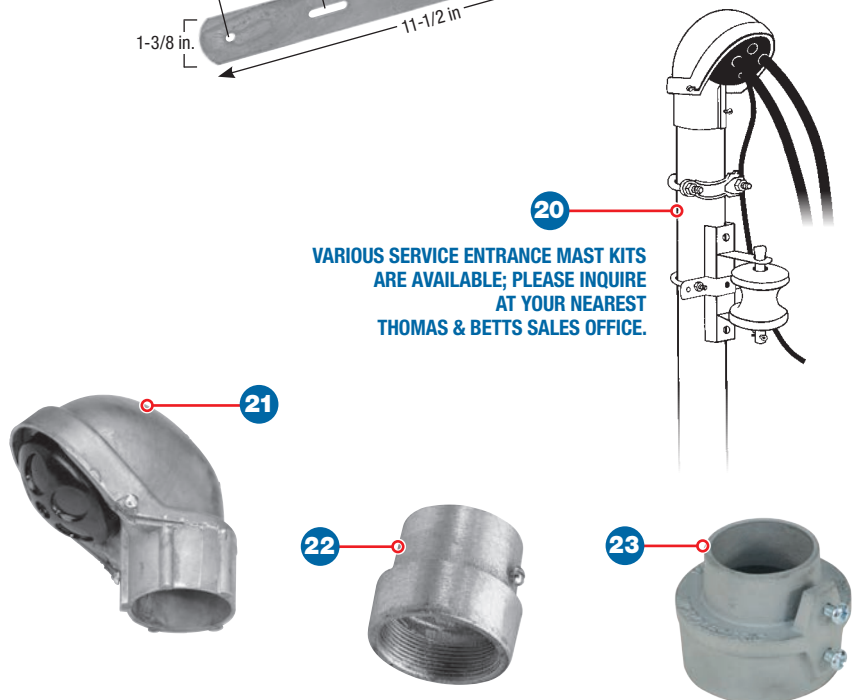


Service Masts

Service Entrance Masts and Accessories



VARIOUS SERVICE ENTRANCE MAST KITS ARE AVAILABLE; PLEASE INQUIRE AT YOUR NEAREST THOMAS & BETTS SALES OFFICE.



Fittings for old style 2-3/4 in. outside diameter service masts.

Service Masts

Service Entrance Masts and Accessories

| Reference No. | Cat. No. | lb./kg 100 pcs | Std. Pkg. | Description |
|---------------|----------|----------------|-----------|--|
| 1 | MM104 | 105/47.1 | 20 | 1-1/4 in. Entrance cap 100 A |
| | MM105 | 130/59 | 10 | 1-1/2 in. Entrance cap 150–200 A |
| | MM202 | 200/90 | | 2 in. Entrance cap 200 A |
| 2 | MM380 | 50/22.7 | 50 | Guy attachment c/w oval eye |
| | MM380A | | | |
| 3 | MM101 | 125/56 | 20 | Light duty spool rack 100 A |
| | MM5101 | 164/74 | | Light duty spool rack (Alberta only) 100 A |
| | MM201 | 300/136 | 10 | Heavy duty spool rack 200 A |
| | MM801 | 360/163 | 10 | Heavy duty spool rack 400 A, fits 3 in. and 4 in. Rigid conduit |
| 4 | MM390 | 50/22.7 | 50 | Drop wire hook bracket |
| 5 | MM300 | 100/45.4 | 20 | Service mast wire holder |
| 6 | MM500 | 14/6.3 | 50 | Neoprene collar only |
| | MM501 | 36/16.3 | | Steel collar only |
| 7 | MM502 | 150/68 | 10 | Roof base flange only |
| 8 | MM503 | 180/81 | | Roof flange C/W steel collar |
| | MM505N | 140/63 | | Roof flange C/W neoprene collar |
| | MM5505N | 140/63 | | Roof flange C/W neoprene collar 1-1/4 in. |
| 9 | MM250 | 125/56 | 20 | 1/2 in. dia. «U» bolt mast clamp |
| 10 | MM251 | 40/18.1 | 50 | Pipe strap C/W two 3/8 in. x 4 in. lag screws |
| | MM255 | 40/18.1 | | Pipe strap C/W two 3/8 in. x 5 in. lag screws |
| | MM252 | 30/13.6 | | Pipe strap only less lag screws |
| 11 | MM400 | 225/102 | 20 | Support clamp C/W 5/8 in. x 10 in. fully threaded bolt and 4 in. x 4 in. square washer |
| | MM401 | 110/50 | | Clamp only less bolt and washer |
| | MM445 | 215/97 | | Support clamp C/W 5/8 in. x 4-1/2 in. fully threaded bolt and 4 in. x 4 in. square washer |
| | MM5400 | | | Support clamp C/W 1/2 in. x 10 in. bolt |
| 12 | MM8 | 2800/1272 | 50 | 8 ft. x 2-1/2 in. outside diameter mast |
| | MM9CM | 3300/1500 | | 9 ft. x 2-1/2 in. outside diameter mast |
| | MM10 | 3500/1590 | | 10 ft. x 2-1/2 in. outside diameter mast |
| | MM12 | 4200/1909 | | 12 ft. x 2-1/2 in. outside diameter mast |
| 13 | MM600 | 235/106 | 20 | Meter spacer complete with pipe strap; 5/8 in. x 4-1/2 in. carriage bolt and 4 in. x 4 in. square washer |
| | MM601 | 190/86 | | Same as above except no pipe strap |
| | MM602 | 150/68 | | Spacer only (less strap, bolt and washer) (suggested for brick applications with MM201 less pipe strap) |
| | MM602LD | 119/54 | | Light duty spacer only (less strap, bolt and washer) |
| | MM603 | 200/90 | | Spacer with pipe strap (less bolt and washer) |
| 14 | MM100 | 36/16.3 | 25 | 1 in. Female reducer |
| | MM140 | | | 1-1/4 in. Female reducer |
| | MM140M | | | 1-1/4 in. Male reducer |
| | MM150 | | | 1-1/2 in. Female reducer |
| | MM150M | | | 1-1/2 in. Male reducer |
| | MM200 | | | 2 in. Female reducer |
| | MM200M | | | 2 in. Male reducer |
| 15 | MH200 | 40/18 | 1 | 2 in. Mast adaptor |
| | MH40 | 103/46.82 | 10 | 4 in. Mast coupler |
| 16 | MM506N | 52/23.6 | 10 | Simple all neoprene roof flange, 200 A, for 2-1/2 in. masts |
| | MM806N | 100/45 | | Simple all neoprene roof flange, 400 A, for 4 in. masts |
| 17 | MM507DN | 93/42.3 | | Double all neoprene roof flange; for 2-1/2 in. masts |
| 18 | MM604 | 150/68 | | Meter socket bracket (Dimensions see page D44) |
| 19 | MM605 | 50/22.7 | 25 | Meter socket mounting bracket (Dimensions see page D44) |
| 20 | MM700 | 85/38.6 | 50 | Service mast ground clamp, wire range: 8-1/0 AWG |
| 21 | MM202P | 200/90 | 10 | 2 in. entrance cap for old style 2-3/4 in. service masts |
| | CIEFA-4 | 590/268 | 1 | 4 in. entrance head |
| 22 | MM200P | 44/20 | 20 | 2 in. female reducer for old style 2-3/4 in. service masts |
| 23 | MC250 | 45/21 | 30 | 2-1/2 in. one-piece coupler (check the installation standards in your region before using the product) |

Service Masts

Mast Kits Suitable for Quebec and for all Regions

KIT-200-PVC – Quebec



| Cat. No. | Qty. | Consists of | Description |
|--|-------------|-----------------|--------------------|
| This mast kit is used in conjunction with 1-1/4 in. rigid conduit | | | |
| KIT-200-PVC | 1 | SS401-E | Spool Rack |
| | | E998J | 2 in. Entrance Cap |
| | 3 | E997JC | 2 in. Strap |
| | 1 | PH20 | 2 in. Hub PVC |
| | 2 | E943J | 2 in. Male Adaptor |
| | | CI1716 | 2 in. Locknut |
| | | E986J | 2 in. LB Type |
| 1 | CIDUCT1 | Duct Seal | |
| | UA9AJCB-UPC | 2 in. PVC Elbow | |

KIT-200AM-CP – Quebec



| Cat. No. | Qty. | Consists of | Description |
|--|------|-------------|-----------------------------------|
| This mast kit is used in conjunction with 2 in. rigid conduit | | | |
| KIT-200AM-CP | 1 | MM202 | 2 in. Entrance Cap |
| | | MM201 | Spool Rack |
| | | MM505N | Roof Flange |
| | | MM200M | 2 in. Male Reducer |
| | 3 | MM251 | 2 in. Pipe Strap (c/w Lag Screws) |
| | 2 | E943J | 2 in. Male Adaptor |
| | | CI1716 | 2 in. Locknut |
| | | E986J | 2 in. Entrance Cap |
| | 1 | CIDUCT1 | Duct Seal |
| | | UA9AJCB-UPC | 2 in. PVC Elbow |

KIT-200MH-CP – Quebec



| Cat. No. | Qty. | Consists of | Description |
|---------------------|------|-------------|---|
| KIT-200MH-CP | 1 | MM202 | 2 in. Entrance Cap |
| | 1 | MM201 | Spool Rack |
| | 1 | MM505N | Roof Flange |
| | 1 | MH200 | 2 in. Mast Coupler |
| | 3 | MM251 | 2 in. Pipe Strap c/w Lag Screws 3/8 x 4 in. |
| | 2 | E943J | 2 in. Male Adaptor |
| | 2 | CI1716 | 2 in. Locknut |
| | 1 | E986J | 2 in. Entrance Cap |
| | 1 | CIDUCT1 | Duct Seal |
| | 1 | UA9AJCB-UPC | 2 in. PVC Elbow |

KIT-400MH – For all Regions



| Cat. No. | Qty. | Consists of | Description |
|--|------|-------------|---|
| This mast kit is used in conjunction with 4 in. rigid conduit | | | |
| KIT-400MH | 1 | CIEFA-4 | 4 in. Entrance Head |
| | 1 | MM801 | Heavy Duty Spool Rack |
| | 1 | MM806N | Roof Flange |
| | 1 | MH40 | 4 in. Mast Coupler |
| | 3 | CI1532 | Pipe Strap c/w Lag Screws (6) 3/8 x 5 in. |