

FLOOR BOX SYSTEMS

Quick Selection Guide

Wiremold® Floor Boxes are TopGuard protected to meet and exceed the UL scrub water exclusion requirement.



Above-Grade Floor Boxes for Concrete Floors (continued)

STEEL BOXES										
Box Model	Box Type	Service Capability	Box Capacity	Box Construction	Depth Behind Device Plates	KO Sizes	Cover Model	Cover Construction	Cover & Flange Part Nos.	Notes
800 Series 800LCK	Round	Single	1 Gang	Steel	N/A	1/2" – 3/4" Trade Size	Brass	Tile, Carpet	825 Series	Flush Devices, Fully Adjustable
880 Series 885B/886B	Round	Single	1 Gang	Steel	885B: 2 3/4" [51mm] 886B: 2 1/4" [57mm]	885B: 1/2" – 3/4" 886B: 1/2" – 1" Trade Size	Metal, Polycarbonate	Tile, Carpet	895, 896 Series	Flush Devices, Fully Adjustable
OmniBox 880S1, 880M1	Rectangular	Single	1 Gang (4) #12 AWG/ Gang or (6) Cat 6A/Gang	Steel	880S1: 2 3/4" [70mm] 880M1: 1 3/4" [44mm]	880S1: 1/2" – 1" 880M1: 1/2" – 3/4" Trade Size	Metal, Polycarbonate	Tile, Carpet	817, 818, 827, 828, 829, 830 Series	Flush Devices, Fully Adjustable
OmniBox 880S2, 880M2	Rectangular	Dual	2 Gangs (4) #12 AWG/ Gang or (6) Cat 6A/Gang	Steel	880S2: 2 3/4" [70mm] 880M2: 1 3/4" [44mm]	880S2: 1/2" – 1" 880M2: 1/2" – 3/4" Trade Size	Metal, Polycarbonate	Tile, Carpet	827, 828, 829, 830 Series	Flush Devices, Fully Adjustable
OmniBox 880S3, 880M3	Rectangular	Triple	1 Gang (4) #12 AWG/ Gang or (6) Cat 6A/Gang	Steel	880S3: 2 3/4" [70mm] 880M3: 1 3/4" [44mm]	880S3: 1/2" – 1" 880M3: 1/2" – 3/4" Trade Size	Metal, Polycarbonate	Tile, Carpet	828, 829, 830, 837, 838 Series	Flush Devices, On-Grade or Above-Grade
RPSFB	Round	Dual	2 Gangs	PVC	3 1/2" [89mm]	3/4" – 2"	Die-Cast Aluminum	Tile, Carpet	RPAV3CTC, RP7CTC, RPAMD4CTC, RPAMD8CTC, RP4FFCTC, RPAM2CTC, RP9AM2CTC	Surface Devices, On-Grade or Above-Grade
RFB Series RFB2	Rectangular	Triple	1 Gang (4) #12 AWG/ Gang or (6) Cat 6A/Gang	Steel	3" [76mm]	3/4" – 1 1/4" Trade Size	FloorPort Die-Cast Aluminum	Tile, Carpet, Wood, Terrazzo	FPCT, FPBT, FPFPT Series	Recessed Devices, On-Grade or Above-Grade
RFB Series RFB4	Rectangular	Triple	1 Gang (4) #12 AWG/ Gang or (6) Cat 6A/Gang	Steel	2" [51mm]	3/4" – 1 1/4" Trade Size	FloorPort Die-Cast Aluminum	Tile, Carpet, Wood, Terrazzo	FPCT, FPBT, FPFPT Series	Recessed Devices, On-Grade or Above-Grade
RFB Series RFB4E	Rectangular	Triple	4 Gangs	Steel	3 1/2" [89mm]	3/4" – 2" Trade Size	Evolution Series Poke-Thru Covers	Tile, Carpet, Wood, Terrazzo, Bare Concrete	6CT & 6CTC Series	Recessed Devices, Fully Adjustable
RFB Series RFB6	Rectangular	Triple	6 Gangs	Steel	3 1/4" [83mm]	3/4" – 1 1/4" Trade Size	FloorPort Die-Cast Aluminum	Tile, Carpet, Wood, Terrazzo	FPCT, FPBT, FPFPT Series	Recessed Devices, On-Grade or Above-Grade
RFB Series RFB6E	Rectangular	Triple	6 Gangs	Steel	3 1/4" [83mm]	3/4" – 1 1/4" Trade Size	Evolution Series Poke-Thru Covers	Tile, Carpet, Wood, Terrazzo, Bare Concrete	8CT Series	Recessed Devices, Fully Adjustable
RFB Series RFB9	Rectangular	Triple	9 Gangs	Steel	2 1/2" [64mm]	3/4" – 1 1/4" Trade Size	Die-Cast Aluminum	Tile, Carpet, Wood, Terrazzo	RFB119TC	Recessed Devices, On-Grade or Above-Grade
RFB Series RFB11	Rectangular	Triple	11 Gangs	Steel	2 1/2" [64mm]	3/4" – 2" Trade Size	Die-Cast Aluminum	Tile, Carpet, Wood, Terrazzo	RFB119TC	Recessed Devices, On-Grade or Above-Grade

Fire Classified Floor Boxes – Add "FC" Suffix to part number for fire classified version. All fire classified boxes feed with 1 1/4" conduit feeds.

NOTE: Most Wiremold floor boxes and accessories are listed by Underwriters Laboratories Inc., and comply with Federal Specifications W-C-583b in one of the following types and classes: Type I-Fully adjustable, Type II-Semi-adjustable, Type III-Non-adjustable, Class 1-Watertight, Class 2-Concrete-tight.

OMNIBOX™ SERIES FLOOR BOXES

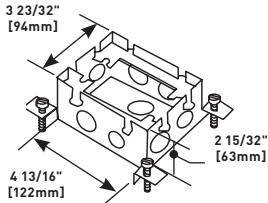
Omnibox Series Shallow Stamped Steel Floor Boxes Technical Specifications

CAT. NO.	CONDUIT OPENINGS	COMPARTMENT CAPACITY	ADJUSTMENT BEFORE POUR	ADJUSTMENT AFTER POUR
880M1	(5)-1/2" [12.7mm], (5)-3/4" [19.1mm]	37 cu in. [606ml ³]	1 3/4" [44mm]	1/2" [12.7mm]
880M2	(8)-1/2" [12.7mm], (8)-3/4" [19.1mm]	80 cu in. [1311ml ³] 40 cu in. [656ml ³] 40 cu in. [656ml ³]	1 3/4" [44mm]	1/2" [12.7mm]
880M3	(11)-1/2" [12.7mm], (11)-3/4" [19.1mm]	126 cu in. [2065ml ³] 39 cu in. [639ml ³] 48 cu in. [787ml ³] 39 cu in. [639ml ³]	1 3/4" [44mm]	1/2" [12.7mm]

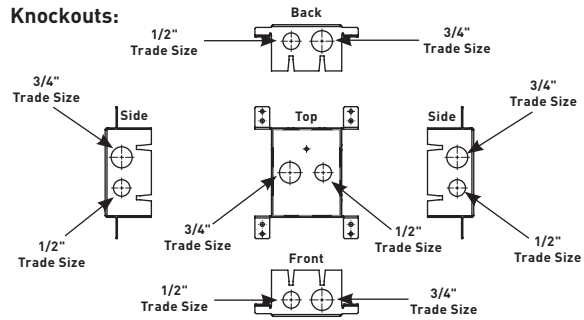


Omnibox Series Shallow Stamped Steel Floor Boxes Ordering Information

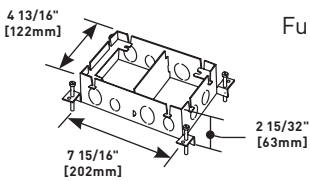
880M1 1-Gang Shallow Stamped Steel Floor Box



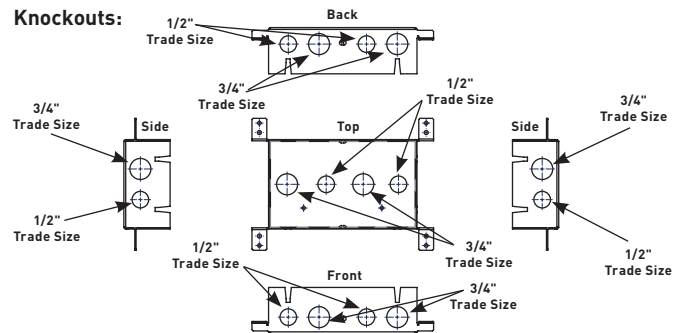
Fully adjustable.



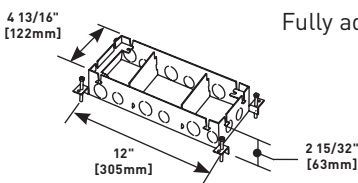
880M2 2-Gang Shallow Stamped Steel Floor Box



Fully adjustable.



880M3 3-Gang Shallow Stamped Steel Floor Box



Fully adjustable.

