



(BEC2-V)

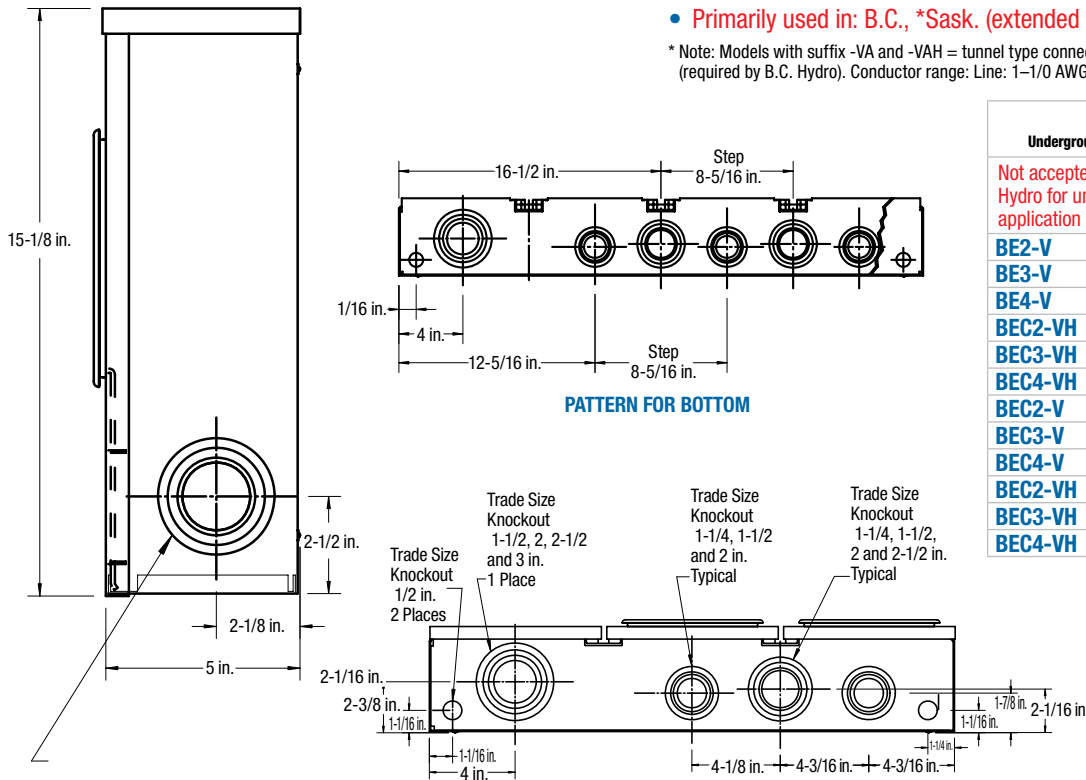
BEC Series

200 A (Main Lugs) 600 V; Multiple Position – 100 A per Position Stud Type

Product Specifications

- Conductor range: Line: 1/2 in. studs supplied, Load: 6-1/0 AWG
- Aluminum tunnel type connectors load side; stud 1/2 in. line side
- For underground service only
- Factory prebussed from main lugs to each position
- Supplied with screw type rings
- Weatherproof Type 3R enclosure
- **Primarily used in: B.C., *Sask. (extended enclosure), Man., Ont., Que.**

* Note: Models with suffix -VA and -VAH = tunnel type connectors on line side provided instead of studs (required by B.C. Hydro). Conductor range: Line: 1-1/0 AWG, Load: 6-1/0 AWG.



Cross Reference	
Underground meter required by BC Hydro Standard	
Not accepted by BC Hydro for underground application	Required by BC Hydro for underground applications
BE2-V	BE2-VA
BE3-V	BE3-VA
BE4-V	BE4-VA
BE2-VH	BE2-VAH
BE3-VH	BE3-VAH
BE4-VH	BE4-VAH
BE2-V	BE2-VA
BE3-V	BE3-VA
BE4-V	BE4-VA
BE2-VH	BE2-VAH
BE3-VH	BE3-VAH
BE4-VH	BE4-VAH



Cat. No.	Meter Position	Dimensions (in.)			Weight Each		
		H	W	D	lb.	kg	
4 JAW							
LEFT-HAND ENTRY	RIGHT-HAND ENTRY						
BE2-V	BE2-VH	2 position	15-1/8	24-3/16	5	27	12.2
BE2-VA*	BE2-VAH	2 position c/w connector (tunnel type)					
BE2-VE*	BE2-VEH	2 position extended enclosure	20-1/16				
BE3-V	BE3-VH	3 position	15-1/8	33-1/8	5	35	15.9
BE3-VA*	BE3-VAH	3 position c/w connector (tunnel type)					
BE3-VE*	—	3 position extended enclosure	20-1/16				
BE4-V	BE4-VH	4 position	15-1/8	41-7/16	5	43	19.5
BE4-VA*	BE4-VAH	4 position c/w connector (tunnel type)					
BE4-VE*	—	4 position extended enclosure	20-1/16				
BE5-V	BE5-VH	5 position	15-1/8	49-3/8	5	51	23.1
BE6-V	BE6-VH	6 position		57-5/8			59