

Hazardous Location Fittings

EXUN Series Aluminum Internal Hubs

Application

- Junction for branch conduits in hazardous locations
- Accessible wiring chamber provides a convenient location to maintain or change a system, pull conductors and make splices
- Internal hub design ideal for installation where space is limited

Features

- Copper-free* aluminum provides increased corrosion resistance
- Precision cast and machined surfaces permit safer wire pulling
- Precision NPT threaded hubs enable trouble-free field installation for rigid or IMC conduit
- Die-cast construction and industrial design combine to produce a rugged protective enclosure for devices on industrial and OEM applications
- Clear UL, CSA and cubic content markings speed approval by inspectors



EXUN



EXUNL

Conduit & Fittings — T&B® Rigid Fittings

Standard Materials

Die-cast aluminum alloy A360 with less than .004 copper content (copper-free)

Standard Finish

Aluminum lacquer finish

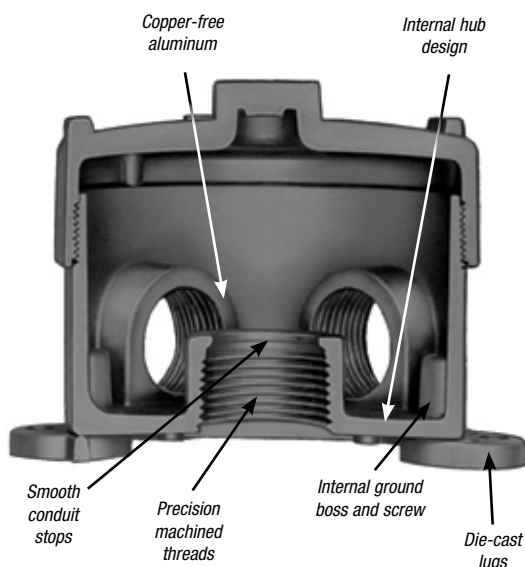
Listings/Compliances

UL Listed
 CSA Certified
 Suitable for hazardous locations
 Federal Spec W-C-586
 Cl.I, Div. 1 & 2, Groups C, D
 Cl.II, Div. 1, Groups E, F, G
 Cl.III, Div. 1 & 2
 NEMA 3, 4, 7 CD, 9 EFG
 Explosion-Proof
 Dust-Ignition-Proof
 Raintight
 Wet Locations

Sample Specifications

Outlet boxes for hazardous locations shall be die-cast copper-free* aluminum alloy A360 and suitable for use in Class I, Groups C, D, Class II, Groups E, F, G and Class III areas. All conduit stops shall be coined and free of rough edges. Outlet boxes for hazardous locations shall be finished with aluminum lacquer. Outlet boxes shall be Thomas & Betts Catalog No. _____

*Less than .004 copper content.



Hazardous Location Fittings

5-Hole Aluminum Box



CAT. NO.	HUB SIZE	DESCRIPTION	UNIT QTY.	STD. PKG.	WT. LBS. PER 100
EXUN-1	1/2"	(5) Outlets	1	5	140
EXUN-2	3/4"	with (3) Close-Up Plugs	1	5	140
EXUN-3	1"	with (3) Close-Up Plugs	1	5	140



EXUN-1

4-Hole Aluminum Box



CAT. NO.	HUB SIZE	DESCRIPTION	UNIT QTY.	STD. PKG.	WT. LBS. PER 100
EXUN-11	1/2"	(4) Outlets	1	5	140
EXUN-22	3/4"	with (2) Close-Up Plugs	1	5	—



EXUN-11