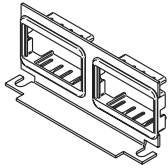


RESOURCE RFB® SERIES FLOOR BOXES

RFB4 Series

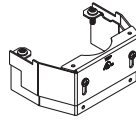
RFB4-C1-1 Series Multiservice Cast Iron Recessed Floor Box Accessories Ordering Information (continued)

CILT-2-RT Communication Bracket



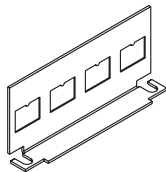
Communication bracket with Ortronics® AB2TJ TracJack and ABS2 Series II adapters included. Accepts Ortronics® workstation connectivity outlets and modular inserts.

RFBCIKIT Barrier Kit



Barrier kit used with RFB4-CI floor boxes. Kits are sold separately.

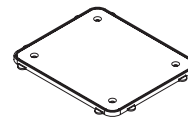
CILT-4TKO Communication Bracket



Communication bracket with four (4) RJ opening knockouts. Use as blank plate or for up to four RJ openings.

NOTE: Opening dimension is 9/16" x 3/4" [14.3mm x 19.1mm]

FP-CTR Bare Concrete & Terrazzo Ring



Nonmetallic ring for use on bare polished concrete and terrazzo floor applications.

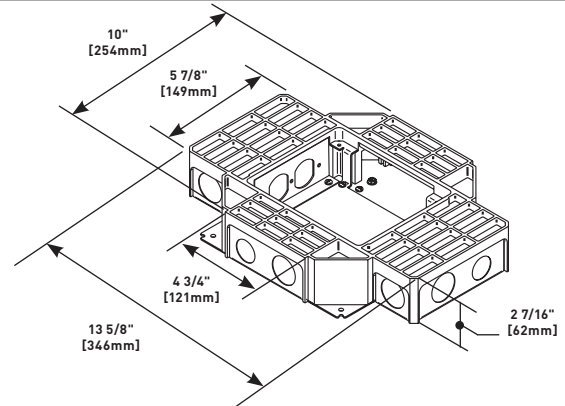
NOTE: Additional configurations available. Please consult your local Sales Representative for more information.

RF4B-SS Multiservice Shallow Steel Recessed Floor Boxes Ordering Information

RFB4-SS Four-Compartment Shallow Stamped Steel Combination Box

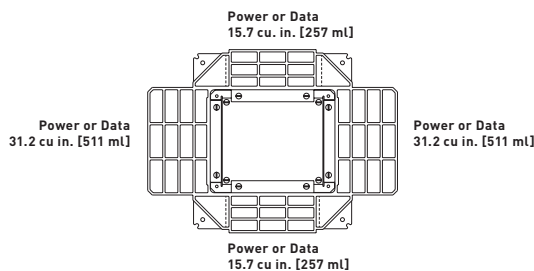
13 5/8" L x 10" W x 2 7/16" D [346mm x 254mm x 62mm]. Fully adjustable with tunnel compartment and two (2) receptacle brackets. **Feed through tunneling to adjacent compartments only.** Tunneling can be set to feed all four compartments from one conduit in a single-service application. Communication brackets not included. All boxes and activations are sold separately.

NOTE: Only for use in concrete floors. All boxes and activations are sold separately.



RFB4-SS Series Multiservice Shallow Steel Recessed Floor Boxes Compartment Capacities, Knockout Locations and Sizes

Compartment Capacities



Knockout Locations & Sizes

