

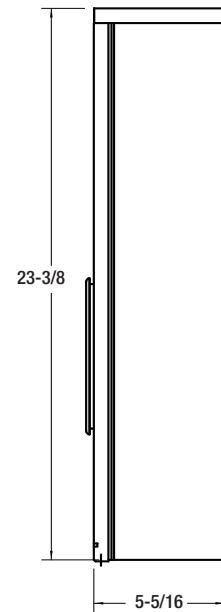
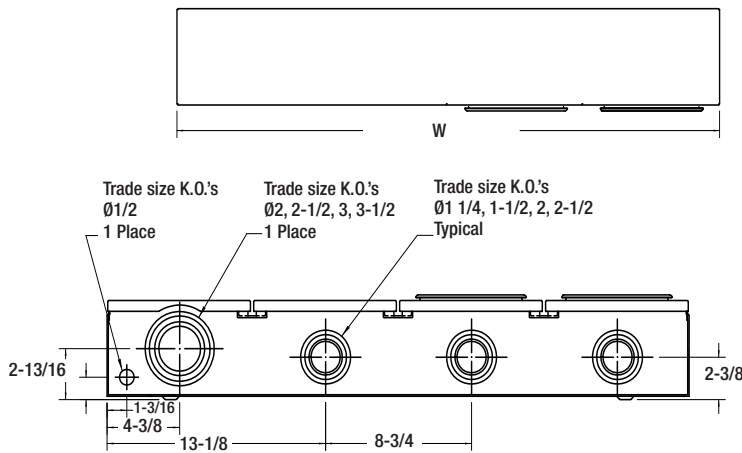
BSC4-GA SERIES

Multiple Position 200 A per Position 400 A 600 V Max.



Product Specifications

- Conductor range: Line: 6 AWG-500 kcmil
Load: 6 AWG-250 kcmil
- For underground service only
- Aluminum tunnel type connectors for both load and line sides
- Twin blank wiring compartment and increased length of the busbars (BC Hydro requirement)
- Supplied with screw type ring
- Weatherproof Type 3R enclosure



Note: Pattern for bottoms. Left hand entry is shown.
For right-hand entry, unit is manufactured symmetrically with hub openings, knockouts for line connectors on right side.

Dimensions are in inches

Cat. No.		Meter Position	Dimensions (in.)			Weight Each	
Left-Hand Entry	Right-Hand Entry		H	W	D	lb	kg
BSC42-VGA	BSC42-VGAH	2 position	23-3/8	35	5-5/16	58	26.3
BSC43-VGA	BSC43-VGAH	3 position	23-3/8	43-3/4	5-5/16	72	32.7
BSC44-VGA	BSC44-VGAH	4 position	23-3/8	52-1/2	5-5/16	86	39.0
BSC45-VGA	BSC45-VGAH	5 position	23-3/8	61-1/4	5-5/16	100	45.4
BSC46-VGA	BSC46-VGAH	6 position	23-3/8	70	5-5/16	114	51.8