

## Weatherproof Metallic Lampholders

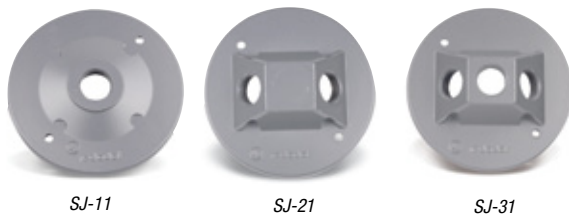
### Round Lampholder Covers

#### Standard Covers



CAT. NO.	COLOR	HUB SIZE (IN.)	DESCRIPTION
<b>Gasket and Screws, 4 1/8" Diameter</b>			
S-1-RD	Silver	1/2	One Tapped Hole
S-12	Silver	3/4	One Tapped Hole
S-3-RD	Silver	1/2	Three Tapped Holes
<b>D-PAK®</b>			
DSS-1	Silver	1/2	One Tapped Hole
DSS-1-BR	Bronze	1/2	One Tapped Hole
DSS-1-WH	White	1/2	One Tapped Hole
DSS-3	Silver	1/2	Three Tapped Holes
DSS-3-BR	Bronze	1/2	Three Tapped Holes
DSS-3-WH	White	1/2	Three Tapped Holes
S621E	—	—	Universal Gasket

#### Jumbo Covers



CAT. NO.	COLOR	HUB SIZE (IN.)	DESCRIPTION
<b>Gasket and Screws, 4 1/2" Diameter</b>			
SJ-11	Silver	1/2	One Tapped Hole
SJ-21	Silver	1/2	Two Tapped Holes
SJ-31	Silver	1/2	Three Tapped Holes

**Note:** Boxes are raintight when used with appropriate Red•Dot® boxes.  
All covers packed with gasket and screws.

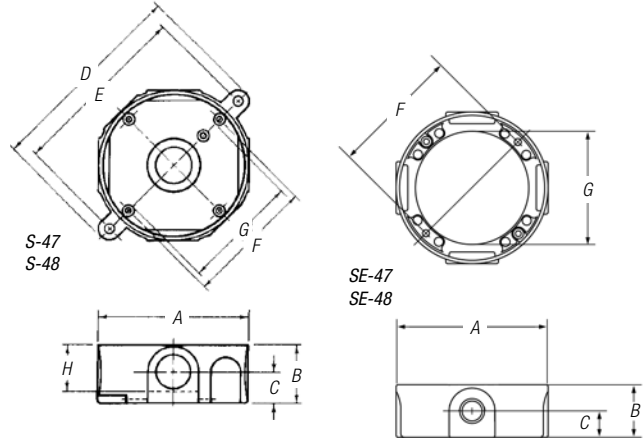
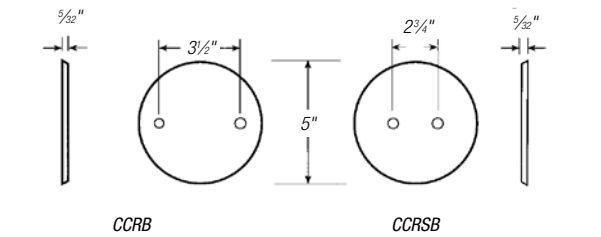
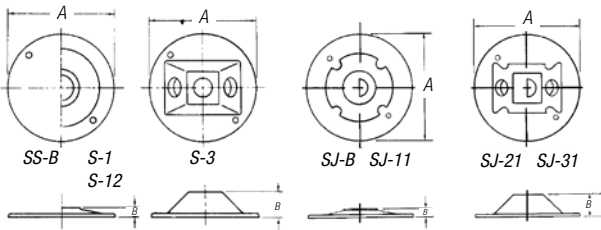
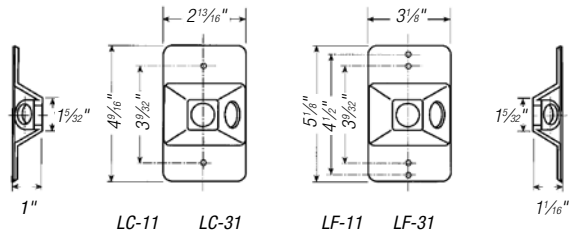
### Single-Gang Lampholder Covers



CAT. NO.	CAT. NO.	COLOR	SIZE (IN.)	DESCRIPTION
<b>STANDARD</b>		<b>JUMBO</b>		
(2 3/16" X 4 1/2")		(3 1/8" X 5 1/8")		
LC-11	LF11	—	1/2	One-Hole Device Mount
LC-21	—	—	1/2	Two-Hole Device Mount
LC-31	LF31	—	1/2	Three-Hole Device Mount
<b>D-PAK®</b>				
DLC-31	—	Silver	1/2	Three-Hole Device Mount
DLC-31-BR	—	Bronze	1/2	Three-Hole Device Mount
DLC-31-WH	—	White	1/2	Three-Hole Device Mount

## Weatherproof Metallic Lampholders

### Dimensions in Inches



CAT. NO.	HUB SIZE	DIMENSIONS (IN.)								
		A	B	C	D	E	F	G	H	CI
S-47	1/2	4 1/8	1 5/8	3/4	5 1/16	4 15/16	3 1/2	3 1/16	1 1/4	16.0
SE-47	1/2	4 1/8	1 5/8	1	—	—	3 1/2	3 1/16	—	18.3
S-48	3/4	4 1/8	1 5/8	7/8	5 1/16	4 15/16	3 1/2	3 1/16	1 1/4	16.0
SE-48	3/4	4 1/8	1 5/8	1 1/16	—	—	3 1/2	3 1/16	—	18.3
SS-B	—	4 1/8	3/64	—	—	—	—	—	—	—
S-1	1/2	4 1/8	3/8	—	—	—	—	—	—	—
S-12	3/4	4 1/8	3/8	—	—	—	—	—	—	—
S-3	1/2	4 1/8	1	—	—	—	—	—	—	—
SJ-B	—	4 1/2	3/8	—	—	—	—	—	—	—
SJ-11	1/2	4 1/2	3/8	—	—	—	—	—	—	—
SJ-21	1/2	4 1/2	1	—	—	—	—	—	—	—
SJ-31	1/2	4 1/2	1	—	—	—	—	—	—	—

## Photometrics

Photometrics are strictly a function of the lamp used.

