



Undercabinet Lighting | Solo-Task LED

12VAC, 3000K LED Array Fixtures



Surface Mount



Recessed Mount

Description

The Solo-Task LED luminaire offers ultimate flexibility and efficiency for task and accent lighting. The diminutive size allows it to be used easily and unobtrusively in applications where lighting of both superior efficacy and quality is desired. Approximates light levels of 25-watt halogen and xenon sources while using less than 1/5 of the energy, and also generates significantly less heat. The ability to use multiple Solo-Task luminaires together in a daisy-chain method makes installation simple and straightforward. Each luminaire can be installed in the desired location, and then wire can be cut to exact lengths starting from the remote driver, and connected [in-going and out-going] from luminaire to luminaire.

Ordering Information

Model	Hardware Finish	Shade Finish	
USTL1	3K	BZ	
USTL1	3K	BL	SN
Surface Mount	3000K	Black	Satin Nickel
USTLR1		BZ	WH
Recessed Mount		Brushed Bronze	White
UK3STL*			
3 Surface Mount Luminaires Kit			

Finishes



Black Brushed Bronze Satin Nickel White

Transformers

Catalog No.	Finish	Description
TL602E-10-WH	White	10W 12V Electronic Driver/Transformer
TL602E-25-WH	White	25W 12V Electronic Driver/Transformer
TL602E-60-WH	White	60W 12V Electronic Driver/Transformer
TL576-10-BL	Black	10W 12V Magnetic Driver/Transformer
TL576-25-BL	Black	25W 12V Magnetic Driver/Transformer
TL576-60-BL	Black	60W 12V Magnetic Driver/Transformer
USTL548-WH	White	60W 12V Plug-in Electronic Transformer
USTL548-BL	Black	60W 12V Plug-in Electronic Transformer

*Each Kit includes:

3 Surface Mount Luminaires, 1 Plug-in Driver/Transformer with field installed switch, 10-feet of wire, and 5-adhesive backed wire clips





Features

- LED array provides outstanding performance, color quality/consistency and reliability
- 3000K white phosphor array designed to operate using 12-volt AC input
- Available in surface mount or recessed mount configurations
- Quality die-cast aluminum
- Daisy-chain capable utilizing screw-type terminal blocks
- Designer white, black, brushed bronze or satin nickel finishes.
- Rated at 50,000 hours at 70% lumen maintenance
- Onboard luminaire LED driver operates at less than 4-watts input at 12-volts AC
- May be dimmed with dimmers tested and qualified by Juno for use with TL602E and TL576 – driver/transformer specifications for compatible dimmers
- Color temperature remains constant over dimming range
- Warranty period is 5-years from date of purchase

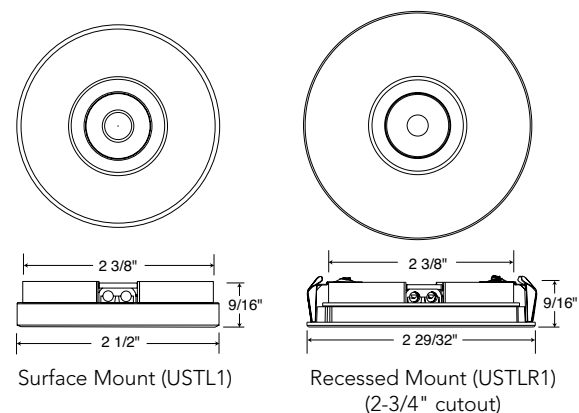
Listing

- UL/C-UL Listed • UL Listed for indoor damp locations
- RoHS compliant

Accessories

Catalog No.	Description	
UST18G-10-BL	18AWG 2-Conductor Parallel Bonded Wire, 10-feet, Black	
UST18G-25-BL	18AWG 2-Conductor Parallel Bonded Wire, 25-feet, Black	
UST18G-10-WH	18AWG 2-Conductor Parallel Bonded Wire, 10-feet, White	
UST18G-25-WH	18AWG 2-Conductor Parallel Bonded Wire, 25-feet, White	
USTL-REC-BL	Kit to convert Surface Mount to Recessed Mount, Black	
USTL-REC-BZ	Kit to convert Surface Mount to Recessed Mount, Brushed Bronze	
USTL-REC-SN	Kit to convert Surface Mount to Recessed Mount, Satin Nickel	
USTL-REC-WH	Kit to convert Surface Mount to Recessed Mount, White	
USTL-SHIELD-BL	Solo-Task Shield, Black	
USTL-SHIELD-WH	Solo-Task Shield, White	
USTL-SNOOT-BL	Solo-Task Snoot, Black	
USTL-SNOOT-WH	Solo-Task Snoot, White	

Dimensions



Surface Mount (USTL1)

Recessed Mount (USTLR1)
(2-3/4" cutout)