

Carlton®

**Retractable Work
Surface Receptacle**

**Concealed Receptacle
Provides Safe and
Convenient Desktop Power**



Thomas & Betts

Retractable Work Surface Receptacle

Conveniently Puts Power within Your Reach

With the variety of electronics and powered devices today, convenient power outlets in the home and office are critical. While phone chargers, laptops, appliances and other devices are typically located on work surfaces, outlets are often located underneath the work surface, along the wall or on the floor. Repeatedly accessing these outlets is an inconvenience and poses safety hazards.

The new Carlton® Retractable Work Surface Receptacle provides a convenient outlet right where you need it. A hole saw is included that attaches to your power drill to quickly mount the receptacle in a counter, desk or similar work surface. A 6-ft. cord connects to an existing wall or floor outlet, so no wiring is required. Simply pull up the receptacle's cover to raise the unit above the work surface and plug in a device. When not in use, push the cover down to store the receptacle below the work surface. The non-metallic cover is black to complement most home or office decor.

Features

- Provides easy access to a power outlet — simply pull up the receptacle to plug in a device
- 6-ft. cord plugs into an existing floor or wall outlet
- Receptacle remains hidden below work surface when not in use
- Hole saw included for fast, easy installation in most surfaces
- Compact design occupies minimal space both when recessed and while in use
- Rotated receptacle orientation accommodates oversized power adapters
- cULus Listed, File Number E340129 (per UL® 962A, Furniture Power Distribution Units)



Included hole saw attaches to a power drill for quick and easy installation.



When not in use, the receptacle is recessed below surface.



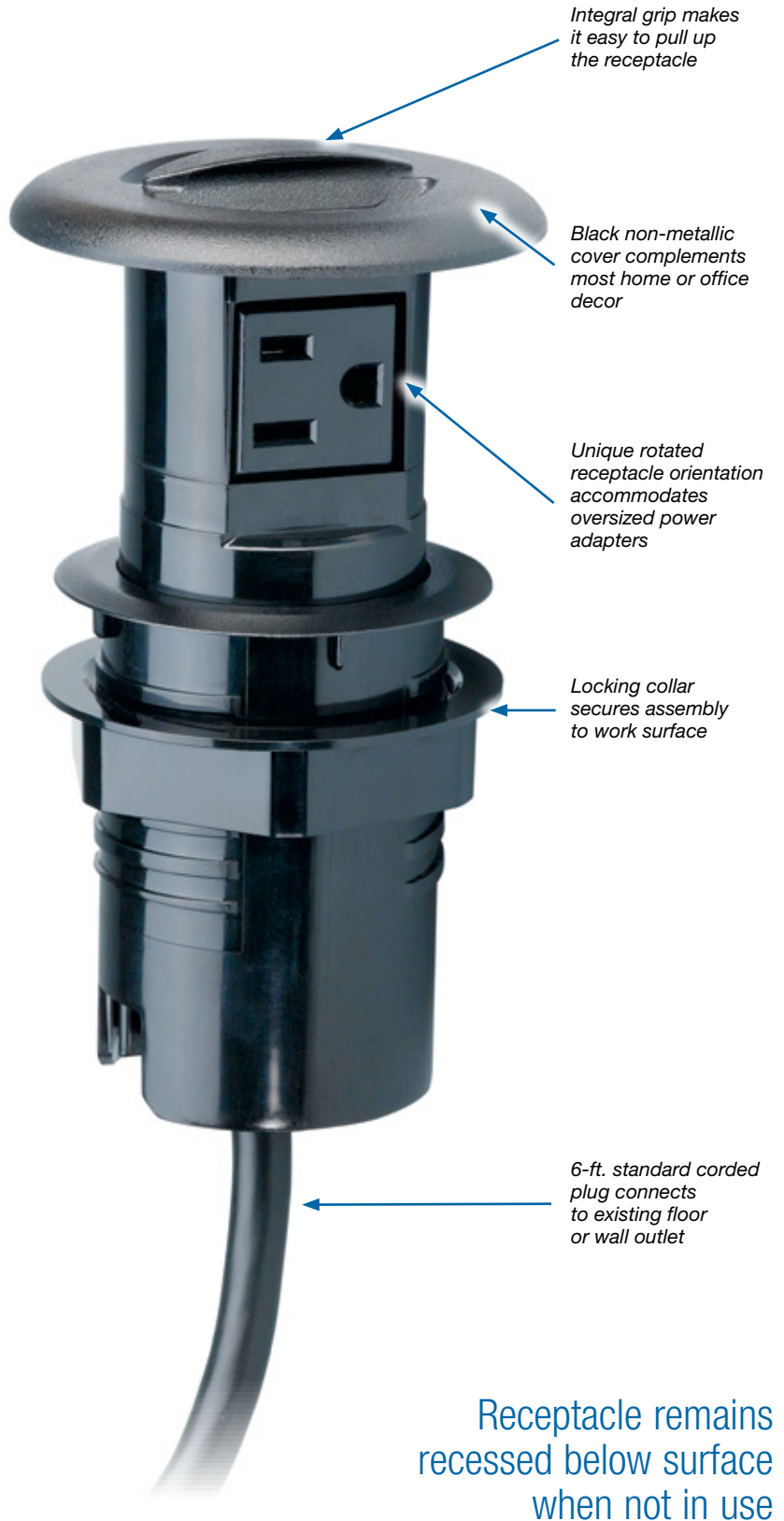
Pull up the cover to access the receptacle and plug in a device.



iPhone is a registered trademark of Apple, Inc.



Hole saw included



Integral grip makes it easy to pull up the receptacle

Black non-metallic cover complements most home or office decor

Unique rotated receptacle orientation accommodates oversized power adapters

Locking collar secures assembly to work surface

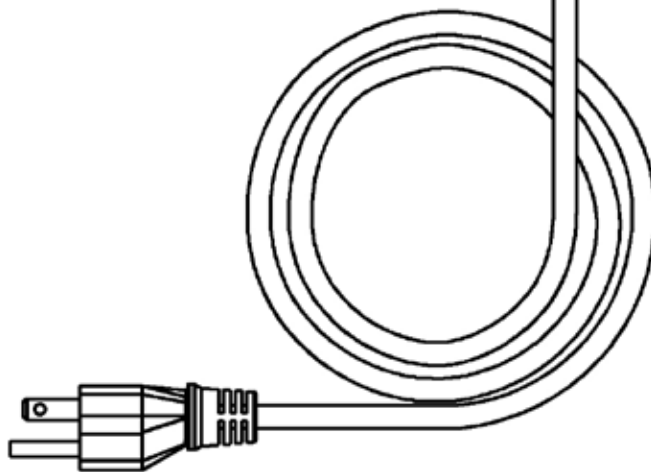
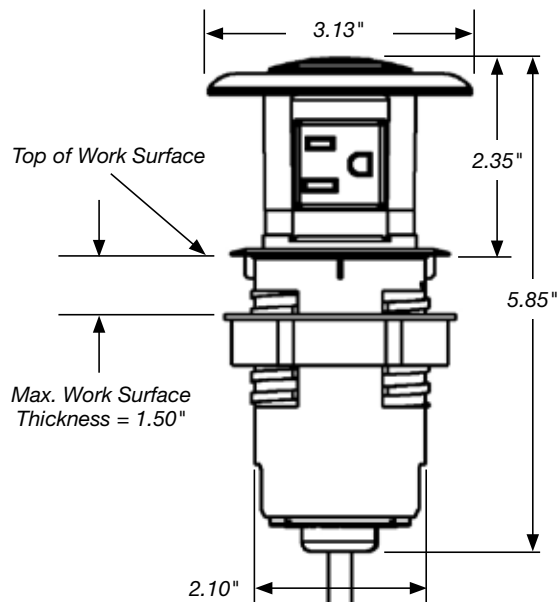
6-ft. standard corded plug connects to existing floor or wall outlet

Receptacle remains recessed below surface when not in use



Specifications

- Cover Size: 3 1/8" Diameter
- Mounting Hole: 2 1/4" Diameter
- Electrical Outlet: 120VAC, 12A Max.
- Power Cord: 6' Long with Three-Prong Plug
- Housing/Cover Material: Polycarbonate
- Listings/Compliances: cULus Listed
File Number E340129
(per UL® 962A, Furniture Power Distribution Units)



Carlton® Retractable Work Surface Receptacle

Cat. Number	Description	Std. Pkg. Qty.	UPC Number
RWSR	Retractable Work Surface Receptacle, Black	1	034481-00984

Please ask your Thomas & Betts sales representative for a complete catalog of quality Thomas & Betts electrical products or visit us at www.tnb.com. For customer service, call 1-800-816-7809. For technical questions, call 1-888-862-3289.

© 2011 Thomas & Betts Corporation. All rights reserved. Printed in the U.S.A.
10/11/7.5 GM-8325

Thomas & Betts Corporation
Electrical Division
8155 T&B Boulevard
Memphis, TN 38125
901-252-5000
www.tnb.com

Thomas & Betts