

## Ground Clamps

Connects copper ground wire to water pipe or copper tubing.

### Cast Bronze Ground Clamps

- High-strength, high-conductivity copper alloy (over 80% copper)
- UL® 467 Listed for direct burial



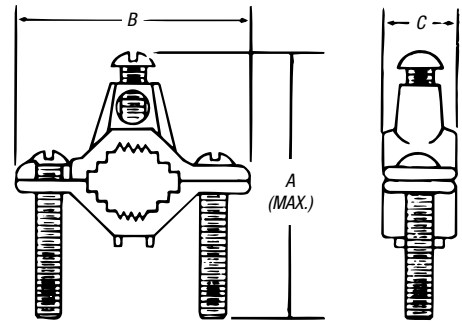
CAT. NO.	WATER PIPE SIZE	CONDUCTOR RANGE
JD	½"-1"	#2 str.-#10 str.
J2D	1¼"-2"	#2 str.-#10 str.



For connecting grounding conductor to water pipe or copper tube.

### Type J — Cast Bronze Ground Clamps

- Cast of high-strength, highly conductive copper alloy
- Screws plated for corrosion resistance
- UL® Listed



CAT. NO.	WATER PIPE SIZE	CONDUCTOR RANGE		DIMENSIONS (IN.)		
		MAX.	MIN.	A (MAX.)	B	C
J	½"-1"	#2 str.	#10 sol.	2¾	2 <sup>11</sup> / <sub>32</sub>	2 <sup>29</sup> / <sub>32</sub>
J2BB	1¼"-2"	#2 str.	#10 sol.	3¾	3½	1 <sup>13</sup> / <sub>16</sub>
J2124	2½"-4"	#4 str.	#10 sol.	6	6 <sup>7</sup> / <sub>16</sub>	1
J6	4¼"-6"	#4 str.	#10 sol.	7¼	8 <sup>7</sup> / <sub>8</sub>	1