

Ordering information

Part number example

DLL4N/UNV1 S903 TF P

DLL series linear LED, cool white, 4 foot, 1/2" hubs, 80° narrow light pattern, 100-277 VAC driver, polycarbonate lens, through feed hubs, painted

DLL	4	N	/UNV1	S903	TF	P	
Series		Optics				Finish	
DLL	Pauluhn DLL series linear LED luminaire	BLANK	Wide (120°)			BLANK	Natural aluminum
		N	Narrow (80°)			P	Painted (gray, epoxy)
Length/lumens						Through feed	
4	4 foot length, 7,100 lumens					TF	Pull wire included in fixture
2	2 foot length, 3,600 lumens					Lens	
						BLANK	Glass
						S903	Polycarbonate
						S891	Diffused glass
						S903D	Diffused polycarbonate
						Voltage	
						/UNV1	100-277 VAC; 108-250 VDC
						/UNV34	347-480 VAC

Consult factory/customer service for availability

EM1	EM 100-277VAC; normal mode: 6,700 lumens; battery mode: 14% of full output
EM2	EM 100-277VAC; normal mode: 3,600 lumens; battery mode: 35% of full output
EM3	EM 347-480VAC; normal mode: 6,700 lumens; battery mode: 14% of full output
EM4	EM 347-480VAC; normal mode: 3,600 lumens; battery mode: 35% of full output

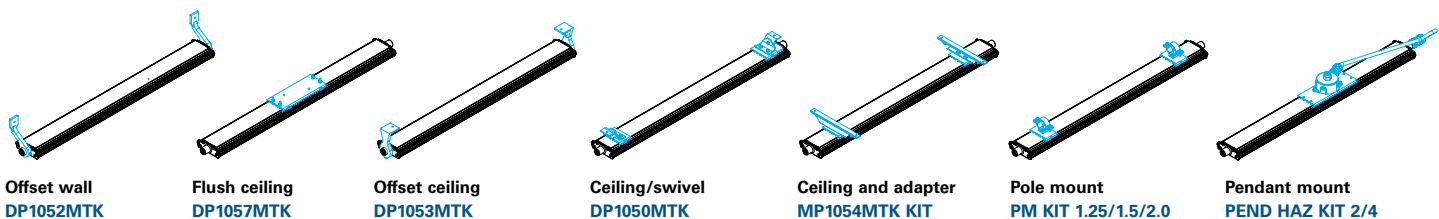
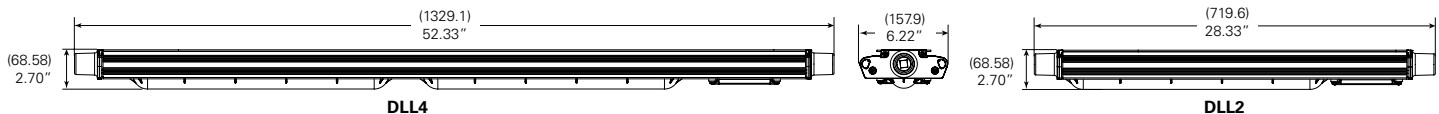
Accessories (ordered separately)

DP1057MTK	Flush/back mount back plate (compatible with DuraPro)
DP1050MTK	Ceiling/swivel mount (compatible with DuraPro)
DP1053MTK	Ceiling/wall mount offset (compatible with DuraPro)
MP1054MTK KIT	Ceiling mount bracket and adapter kit (compatible with MagnaPro)
DP1052MTK	Offset wall mount (compatible with DuraPro)
PM KIT 1.25	Pole mount kit, 1.25" conduit
PM KIT 1.5	Pole mount kit, 1.50" conduit
PM KIT 2.0	Pole mount kit, 2.00" conduit
PEND HAZ KIT 2	Pendant mount kit for 2 ft. linear
PEND HAZ KIT 4	Pendant mount kit for 4 ft. linear
SS KIT	Safety chain kit
VMVL/UNV1 80W 1A KIT	1 amp driver replacement kit 100-277 VAC for 4 ft. linear
VMVL/UNV34 80W 1A KIT	1 amp driver replacement kit 347-480 VAC for 4 ft. linear
VMVL/UNV1 80W 0.5A KIT	0.5 amp driver replacement kit 100-277 VAC for 2 ft. linear
VMVL/UNV34 80W 0.5A KIT	0.5 amp driver replacement kit 347-480 VAC for 2 ft. linear

Consult factory/customer service for availability

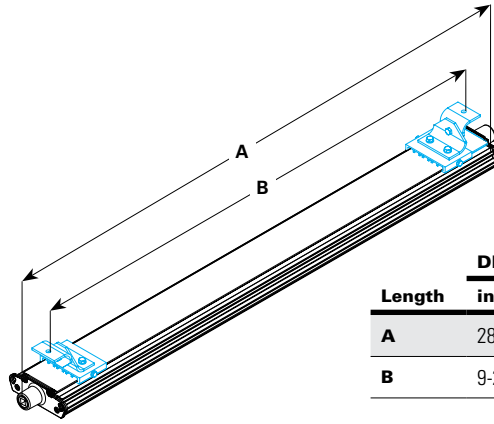
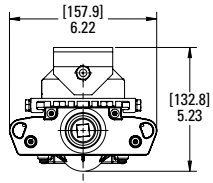
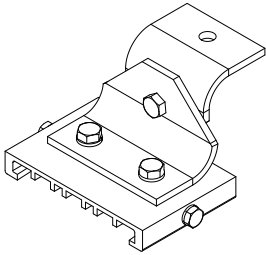
CABLE KIT 1	TECK armored cable (5 ft.) with TMCX glands
CABLE KIT 2	P Type armored cable (5 ft.) with ADE 6F glands
CABLE KIT 3	Metal clad armored cable (5 ft.) with TMCX glands
EM2 UNV1	Battery back-up 2 ft. LED kit, no cable/gland (loose 3/4" entry hubs)
EM2 UNV34	Battery back-up 2 ft. LED kit, no cable/gland (loose 3/4" entry hubs)
EM4 UNV1	Battery back-up 4 ft. LED kit, no cable/gland (loose 3/4" entry hubs)
EM4 UNV34	Battery back-up 4 ft. LED kit, no cable/gland (loose 3/4" entry hubs)
SRG UNV1	10kV/KA surge protection kit for 100-277 VAC
SRG UNV34	10kV/KA surge protection kit for 347-480 VAC
EM2 UNV1 SRG	Battery back-up 2 ft. LED with integral surge protector
EM2 UNV34 SRG	Battery back-up 2 ft. LED with integral surge protector
EM4 UNV1 SRG	Battery back-up 4 ft. LED with integral surge protector
EM4 UNV34 SRG	Battery back-up 4 ft. LED with integral surge protector

Dimensions & mounting options:



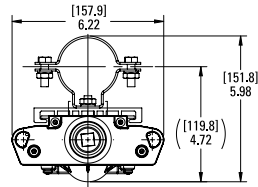
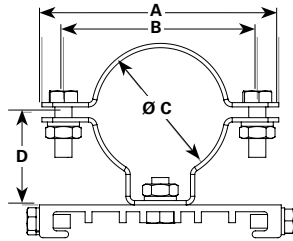
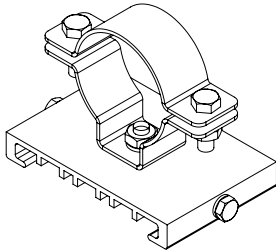
Mounting options

Ceiling/swivel mount DP1050MTK

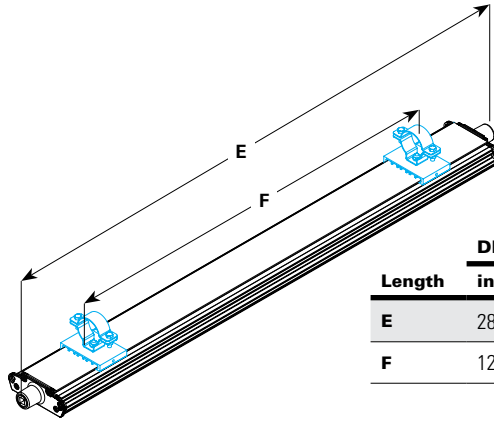


Length	DLL2		DLL4	
	in.	mm.	in.	mm.
A	28.3	720	52.3	1329
B	9-27	222-681	9-51	222-1289

Pole mount PM KIT 1.25/1.5/2.0

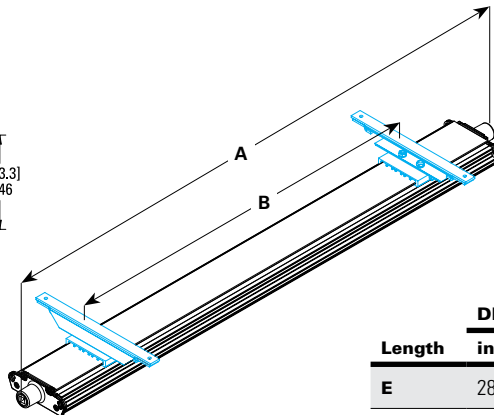
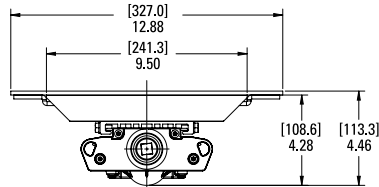
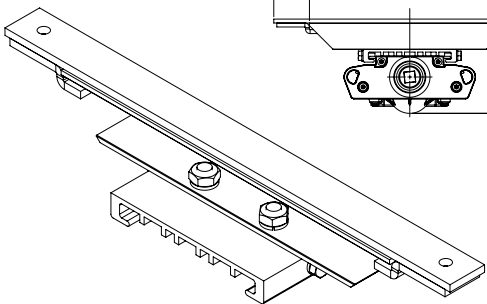


Configuration	ALL MEASUREMENTS IN INCHES			
	A	B	C	D
PM KIT 1.25	4.331	3.543	1.680	1.693
PM KIT 1.5	3.740	2.953	2.000	1.535
PM KIT 2.0	3.386	2.598	2.360	1.378



Length	DLL2		DLL4	
	in.	mm.	in.	mm.
E	28.3	720	52.3	1329
F	12-21	305-533	24-45	610-1143

MagnaPro mount MP1054MTK KIT



Length	DLL2		DLL4	
	in.	mm.	in.	mm.
E	28.3	720	52.3	1329
F	12-22	305-559	24-46	610-1168