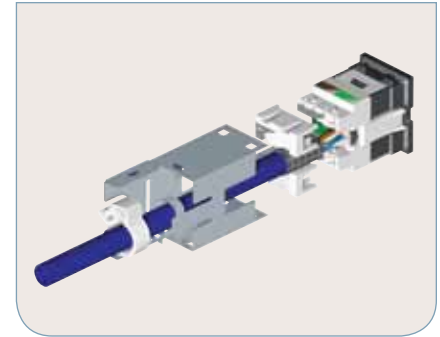


TRACJACK® Clarity® Shielded Modules

Clarity Shielded TracJacks meet TIA Category 6a, Category 6 and Category 5e component specifications and are precisely tuned to the terminated plug values of Clarity patch cords for optimum performance that is field measurable in the channel. Clarity uses dual reactance technology to enhance signal-to-noise ratio, providing a nearly transparent signal path.

- Exceeds ISO 11801 2nd edition including EN50173 2nd edition
- Meets IEC 60603-7-5 2nd edition (draft) specifications
- ETL 3rd party component tested and verified
- Easy lace IDC housing accepts larger conductors
- Easy to follow universal wiring label—quick and user-friendly
- Fits in all TracJack plates and housings
- Icon compatible, 6A, C6 and 5E marking on jack face
- Backward compatible to shielded Category 3, 5, 5e and 6
- Center tuned connectivity design
- Compatible with 110 impact tool



Clarity 6 and Clarity 5E Shielded Category 6a, 6 and 5e TracJacks

OR-TJS600



PART NO.	DESCRIPTION
OR-TJS6A	Clarity 6, Category 6a shielded jack, 8-position, 180° exit
OR-TJS600	Clarity 6, Category 6 shielded jack, 8-position, 180° exit
OR-TJS5E00	Clarity 5E, Category 5e shielded jack, 8-position, 180° exit

NOTE: T568A/B wiring.

TRACJACK Additional Modules

See page 181 for
Fiber TracJack modules

Additional TracJack Modules

OR-63730003



OR-63700005



PART NO.	DESCRIPTION
OR-63730003	Category 3 jack, 8-position, 180° exit, T568A/B wiring. Icon compatible
OR-63700005*	RJ25 jack, 6-position, 180° exit, USOC wiring. Icon compatible

NOTE: Standard color for TracJack modules is fog white.

* Indicates also available in -99 Wiremold ivory and -88 white.

Contact Ortronics sales department for other colors.

WORKSTATION SYSTEMS

TracJack® Modules & Faceplates



TracJack Modules

TracJack is a versatile single-module solution—the perfect combination of high quality, enhanced performance, labor savings, ease of use, and flexibility in design. TracJack front removable snap-in modules make moves, adds, and changes easy. TracJack products are compatible with Fib-or-Cop II and the complete line of TracJack faceplates and surface mount boxes. TracJack modules are available in LC, SC, ST, FC, and MT-RJ styles in order to suit any installation requirement.

Features	Benefits
■ Snap-in module	■ Simple, secure installation
■ Modular design	■ Flexibility in structured cabling system design
■ Front removable	■ Facilitates quick moves, adds, and changes
■ No special tools required	■ Reduced installation expense
■ Fully compatible with all TracJack faceplates	■ Provides wide range of design possibilities

TracJack Modules

PART NO.	DESCRIPTION
OR-63700039*	1-LC (2 fibers) multimode, beige adapter, phosphor-bronze alignment sleeves, 180° exit, flush, 1 unit
OR-63700050	1-LC (2 fibers) multimode, beige adapter, phosphor-bronze alignment sleeves, 45° angled exit, 2 units
OR-63700075*	1-LC (2 fibers) multimode, aqua adapter, ceramic alignment sleeves, 180° exit, flush, 1 unit
OR-63700017*	1-SC simplex multimode, beige adapter, phosphor-bronze alignment sleeves, 180° exit, flush, 1 unit
OR-63700066*	2-SC simplex multimode, beige adapters, phosphor-bronze alignment sleeves, 180° exit, 1 unit
OR-63700051	1-SC simplex multimode, beige adapter, phosphor-bronze alignment sleeves, 45° angled exit, flush, 2 units
OR-63700078*	1-SC simplex multimode, aqua adapter, ceramic alignment sleeve, 180° exit, flush, 1 unit
OR-63700011	1-ST simplex multimode, metal adapter, phosphor-bronze alignment sleeves, 180° exit, 1 unit
OR-63700013	2-ST multimode, metal adapter, phosphor-bronze alignment sleeves, 180° exit, 1 unit
OR-63700026	1-MT-RJ (2 fibers) feed-through, multimode, beige adapter, 180° exit, flush, 1 unit
OR-63700048	1-MT-RJ (2 fibers) feed-through, multimode, beige adapter, 45° angled exit, 2 units
OR-63700080	1-LC (2 fibers) multimode, aqua adapter, ceramic alignment sleeves, 45° angled exit, 2 units
OR-63700081	2-SC simplex multimode, aqua adapters, ceramic alignment sleeves, 180° exit, 1 unit
OR-63700082	1-SC simplex multimode, aqua adapter, ceramic alignment sleeves, 45° angled exit, 2 units

NOTE: Consult sales at 800-934-5432 for single-mode part numbers.

	-00	-25	-42	-43	-44	-45	-68	-78	-88	-99
fog white	WM						WM	WM	WM	ivory WM

*Also available in black, red, orange, yellow, green, light green, WM light gray, WM gray, white and WM ivory. housing colors: -00, -25, -42, -43, -44, -45, -68, -78, -88, -99