

**SPLITTER BLOCK ASSEMBLIES OVERVIEW**

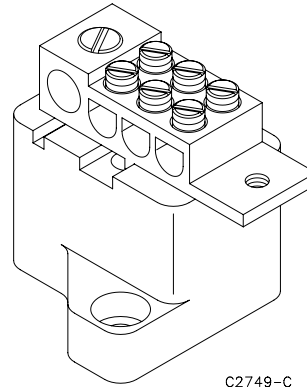


**INDUSTRY STANDARDS**

CSA Certified

**APPLICATION**

Splitter Block Assemblies tap feeder branch circuits in splitter boxes and troughs. Each 600-volt block includes a main lug and branch lugs, together with copper/aluminum (CU/AL) connectors secured to insulators.



C2749-C

**SPLITTER BOX BLOCK ASSEMBLIES**



BULLETIN: S90Y

Catalog Number	Main Amps	Main Lug Qty.	Main Lug Wire Size Range	Branch Amps	Branch Lug Qty.	Branch Lug Wire Size Range
ASBB85	85	1	14-1	40	3	14-6
ASBB125	125	1	14-2/0	85	3	14-2/0
ASBB225	225	1	6-300MCM	125	3	14-2/0
ASBB400R	400	2	4-600MCM	225	2	4-600MCM