

CLARITY® 6 AND CLARITY 5E 110 BLOCK KITS

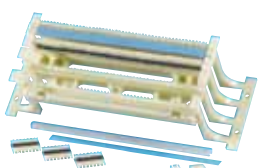
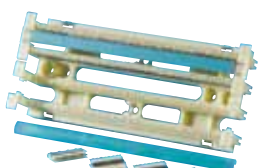
NOTE: Product dimensions are listed by width, height and depth unless specified otherwise.

The Clarity family of 110 blocks combines Category 6 and 5e performance with the ease and reliability of 110 termination and installer friendly features all within the traditional 110 block footprint. Clarity blocks are available in 50, 100, and 300-pair sizes, and provide designation areas and rear cable entry. Clarity 6 blocks use a signal feedback technique internal to the C6110C4 connector to control crosstalk without compromising impedance. Clarity 6 and Clarity 5E block kits include base wiring block, 110C connecting blocks and label holders for designation.

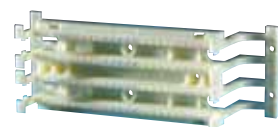
Clarity 6 Category 6 110 Block Kits

OR-110ABC6100 with legs	OR-110ABC6100 with legs	PART NO.	DESCRIPTION
		OR-110ABC6050 with legs	48-pair (12 4-pair clips) 50-pair footprint, 1.8" x 10.72" x 3.25"
		OR-110ABC6100 with legs	96-pair (24 4-pair clips) 100-pair footprint, 3.59" x 10.72" x 3.25"
		OR-110ABC6300 with legs	288-pair (72 4-pair clips) 300-pair footprint, 10.79" x 10.72" x 3.25"
		OR-110DBC6050 without legs	48-pair (12 4-pair clips) 50-pair footprint, 1.8" x 8.5" x 1.59"
		OR-110DBC6100 without legs	96-pair (24 4-pair clips) 100-pair footprint, 3.59" x 8.5" x 1.59"
		OR-110DBC6300 without legs	288-pair (72 4-pair clips) 300-pair footprint, 10.79" x 8.5" x 1.59"


Clarity 5E Category 5e 110 Block Kits

OR-110ABC5E100 with legs	OR-110DBC5E100 without legs	PART NO.	DESCRIPTION
		OR-110ABC5E050 with legs	50-pair (10 4-pair and 2 5-pair clips), 1.8" x 10.72" x 3.25"
		OR-110ABC5E100 with legs	100-pair (20 4-pair and 4 5-pair clips), 3.59" x 10.72" x 3.25"
		OR-110ABC5E300 with legs	300-pair (60 4-pair and 12 5-pair clips), 10.79" x 10.72" x 3.25"
		OR-110DBC5E050 without legs	50-pair (10 4-pair and 2 5-pair clips), 1.8" x 8.5" x 1.59"
		OR-110DBC5E100 without legs	100-pair (20 4-pair and 4 5-pair clips), 3.59" x 8.5" x 1.59"
		OR-110DBC5E300 without legs	300-pair (60 4-pair and 12 5-pair clips), 10.79" x 8.5" x 1.59"

110 Wiring Blocks for Voice/Data

OR-30200145 with legs	PART NO.	DESCRIPTION
	OR-30200145 with legs	100-pair, 3.59" x 10.72" x 3.25"
	OR-30200007 with legs	300-pair, 10.79" x 10.72" x 3.25"
	OR-30200143 without legs	100-pair, 3.59" x 8.5" x 1.59"
	OR-30200022 without legs	300-pair, 10.79" x 8.5" x 1.59"

110 Wiring Blocks for Voice/Data

OR-30200108	PART NO.	DESCRIPTION
	OR-30200108	Three-pair (110C3)
	OR-30200109	Four-pair (110C4)
	OR-30200110	Five-pair (110C5)

NOTE: Package of 10.