

# Areamaster™ Generation 2 LED Luminaire

## Floodlight for Hazardous Locations

**NEC/CEC:**  
 Class I, Division 2, Groups A, B, C, D  
 Class I, Zone 2 Group IIC  
 Class II, Division 1 and 2, Groups E, F, G  
 Class III  
 Zone 20 and 21 Group IIIC

**NEC/CEC:**  
 Zone 22, Group IIIB  
 Simultaneous Exposure  
 Marine Outside Type (Salt Water) for USA ONLY  
 Wet Locations  
 Type 3R, 4, 4X, IP66/67

### Applications

- Enclosed and gasketed fixtures suitable for use in:
  - A wide range of industrial, chemical processing and other areas where flammable gases and vapors are present, for example
  - Oil and Gas Refineries
  - Petrochemical Plants
  - Foundries
  - Drilling Rigs
  - Pulp and Paper Mills
  - Food and Beverage Processing Facilities
  - Loading Docks
  - Power Plants
  - Water and Wastewater Treatment Facilities
  - Other areas where corrosive, wet, dirty and tough environments are a problem
- IP66/IP67, Type 4X, marine and wet locations
- Locations requiring dependable, consistent lighting in extreme hot/cold temperature environments. -40 °C to +65 °C (-40 °F to +149 °F) ambient temperature range

### Features

- Three lumen outputs provide up to 19,500 lumens.

Nominal Lumens ①	Wattage (W)	Efficacy (lpw)	HID Equivalent	Model Number
9,500	70	136	175W-250W	<b>AMLGL6</b>
15,000	110	136	250W-400W	<b>AMLGL7</b>
19,500	150	130	400W-750W	<b>AMLGL8</b>

① Nominal lumen value for 5000K, detailed lumen information provided in tables.

- Choice of optics for optimal light distribution in a variety of applications.
- Separate field wiring compartment with screw terminal block for easy and secure connection (can accept UL/CSA 26-10AWG).
- Two ¾" NPT entries provided.
- Yoke bracket is designed to accommodate traditional Areamaster brackets and slipfitters for easy retrofit.
- Choice of color temperature (CCT); 5000K cool white or 3000K warm white.
- Rugged and compact housing with superior thermal design translates to long luminaire life.
- Heavy duty, high temperature silicone rubber gaskets.
- Thermal shock and impact resistant clear or frosted glass lens.
- Standard 6KV surge protection.
- Captive fasteners secure one piece lens.
- Field replaceable LED driver and lens cover.

### Options

- Improved safety cable design with multiple retention points, purchase separately
- Guard and visor available, purchase separately
- Slip-fitters and mounting brackets available for easy pole or wall mounting
- 10KV Surge Protection



Floodlight

### Standard Materials

- Housing and lens door: copperfree (4/10 of 1% max.) aluminum
- Gaskets: silicone rubber
- Yoke: zinc plated HR steel
- Bolts: stainless steel
- Close up plugs: (1) aluminum provided
- Guard and safety cable: stainless steel
- Visor: Aluminum

### Standard Finishes

- Housing, lens cover, visor and yoke mount: architectural bronze polyester

### Related Products

- Round Tapered Steel Poles
- Hinged Steel Poled
- Square Tapered Steel Poles
- Square Steel Poles
- Floodlight Mounting Brackets

Appleton

LED/FLOODLIGHTS: NEC/CEC ENCLOSED AND GASKETED

# Areamaster™ Generation 2 LED Luminaire

## Floodlight for Hazardous Locations

**NEC/CEC:**  
 Class I, Division 2, Groups A, B, C, D  
 Class I, Zone 2 Group IIC  
 Class II, Division 1 and 2, Groups E, F, G  
 Class III  
 Zone 20 and 21 Group IIIC

**NEC/CEC:**  
 Zone 22, Group IIIB  
 Simultaneous Exposure  
 Marine Outside Type (Salt Water) for USA ONLY  
 Wet Locations  
 Type 3R, 4, 4X, IP66/67

### NEC/CEC Certifications and Compliances

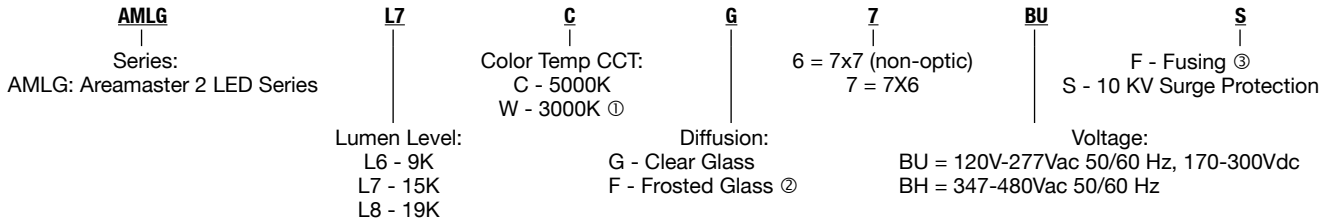
- UL Standards:
  - UL844, Luminaires for Use in Hazardous Locations
  - UL1598, Luminaires
  - UL1598A, Luminaires for Installation on Marine Vessels
  - UL 8750, LED Equipment for Use in Lighting Products
- CSA Standards:
  - CSA C22.2 No. 250.0, Luminaires
  - CSA C22.2 No. 137, Luminaires for Use in Hazardous Locations
- cCSAus: 164460, Certificate Number: 70073611

### DesignLights™ Consortium (for the following models)

- All models pending.



Order using catalog numbering guides below or select catalog number from tables on following pages.



### Lumen Output Tables ④:

Lumen Output for Clear Glass Lens			
	AMLGL6	AMLGL7	AMLGL8
NEMA 7x7 (Non Optic), 5000K CCT, CRI 70	9,900	15,300	19,900
NEMA 7x6, 3000K CCT, CRI 80	8,100	11,900	15,500
NEMA 7x6, 5000K CCT, CRI 70	9,000	14,200	18,400

Lumen Output for Frosted Glass Lens			
	AMLGL6	AMLGL7	AMLGL8
NEMA 7x7 (Non Optic), 5000K CCT	8,000	12,600	16,300

① 3000K CCT (warm) is not available with NEMA 7x7 light pattern

② Frosted Glass is only available with NEMA 7x7 light pattern

③ Use of fuse voids Marine rating.

④ All lumen values are typical (tolerance +/-10%).

# Areamaster™ Generation 2 LED Luminaire



## Floodlight for Hazardous Locations

**NEC/CEC:**  
 Class I, Division 2, Groups A, B, C, D  
 Class I, Zone 2 Group IIC  
 Class II, Division 1 and 2, Groups E, F, G  
 Class III  
 Zone 20 and 21 Group IIIC

**NEC/CEC:**  
 Zone 22, Group IIIB  
 Simultaneous Exposure  
 Marine Outside Type (Salt Water) for USA ONLY  
 Wet Locations  
 Type 3R, 4, 4X, IP66/67

### Electrical Ratings ①

Voltage Suffix	Voltage (V)	Input Power (Watts)	Input Current (Amps)	Power Factor (PF)	Total Harmonic Distortion (THD)	Model Number	
BU	120 Vac	73	0.62	>.9	<20%	AMLGL6	
	277 Vac	71	0.27				
	170 Vdc	69	0.41	N/A	N/A		
	300 Vdc	68	0.23				
BH	347 Vac	71	0.21	>.9	<20%		
	480 Vac	71	0.16				
BU	120 Vac	111	0.94	>.9	<20%		AMLGL7
	277 Vac	106	0.43				
	170 Vdc	113	0.67	N/A	N/A		
	300 Vdc	111	0.37				
BH	347 Vac	115	0.33	>.9	<20%		
	480 Vac	115	0.25				
BU	120 Vac	154	1.30	>.9	<20%	AMLGL8	
	277 Vac	146	0.56				
	170 Vdc	156	0.92	N/A	N/A		
	300 Vdc	152	0.51				
BH	347 Vac	150	0.43	>.9	<20%		
	480 Vac	149	0.32				

Luminaire Category	Image	Frontal Projected Area (FPA) ft <sup>2</sup>	Drag Coefficient (DC)	Effective Projected Area (EPA) = FPA*DC ft <sup>2</sup>
90° to Ground-Worst Case Mounting		1.52	1.20	1.82
45° to Ground-Standard Mounting		1.07	1.2	1.28

Surge Protection: Integral 6KV surge protection. Option for up to 10KV surge protection. (cCSAus only).

① All ratings are typical.

# Areamaster™ Generation 2 LED Luminaire

## Floodlight for Hazardous Locations

**NEC/CEC:**  
 Class I, Division 2, Groups A, B, C, D  
 Class I, Zone 2 Group IIC  
 Class II, Division 1 and 2, Groups E, F, G  
 Class III  
 Zone 20 and 21 Group IIIC

**NEC/CEC:**  
 Zone 22, Group IIIB  
 Simultaneous Exposure  
 Marine Outside Type (Salt Water) for USA ONLY  
 Wet Locations  
 Type 3R, 4, 4X, IP66/67

### Temperature Codes

Lamp		Gas				Dust			Model Number	
Line Voltage	Type	Ambient Temperature °C (°F)	Supply Wire Temperature °C (°F)	Class I, Division 2 ① Groups A, B, C, D	Class I, Zone 2 Group IIC	Class II, Division 1 Groups E, F, G	Zone 20, Group IIIC	Class I Division 2 and Class 2 Division I		
120-277 Vac/ 170-300Vdc	LED	40 (104)	90 (194)	T5	T5	T6	T6	T4A	AMLGL6	
		55 (131)	90 (194)	T4A	T4	T6	T6	T4A		
		65 (149)	90 (194)	T4A	T4	T6	T6	T4		
347-480 Vac	LED	40 (104)	90 (194)	T5	T5	T6	T6	T4A		
		55 (131)	90 (194)	T4A	T4	T6	T6	T4A		
		65 (149)	90 (194)	T4A	T4	T6	T6	T4		
120-277 Vac/ 170-300Vdc	LED	40 (104)	90 (194)	T4	T4	T6	T6	T4		AMLGL7
		55 (131)	90 (194)	T3C	T3	T6	T6	T3C		
		65 (149)	90 (194)	T3C	T3	T5	T5	T3C		
347-480 Vac	LED	40 (104)	90 (194)	T4	T4	T6	T6	T4		
		55 (131)	90 (194)	T3C	T3	T6	T6	T3C		
		65 (149)	90 (194)	T3C	T3	T5	T5	T3C		
120-277 Vac/ 170-300Vdc	LED	40 (104)	90 (194)	T3C	T3	T6	T6	T3C	AMLGL8	
		55 (131)	90 (194)	T3B	T3	T5	T5	T3A		
		65 (149)	90 (194)	T3A	T3	T5	T5	T3A		
347-480 Vac	LED	40 (104)	90 (194)	T3C	T3	T6	T6	T3C		
		55 (131)	90 (194)	T3B	T3	T5	T5	T3A		
		65 (149)	90 (194)	T3A	T3	T5	T5	T3A		

Ambient Temperature Range: -40 °C to +65 °C (-40 °F to +149 °F)

“T” Numbers Represent the Maximum Internal Temperature ① or Maximum Surface Temperature ②

“T” #	NEC/CEC															
	T1	350	325	T2	T2A	T2B	T2C	T2D	T3	T3A	T3B	T3C	T4	T4A	T5	T6
Temp. Range °C (°F)	351-450 (664-842)	326-350 (619-662)	301-325 (574-617)	281-300 (538-572)	261-280 (502-536)	231-260 (448-500)	216-230 (421-446)	201-215 (394-419)	181-200 (358-392)	166-180 (331-356)	161-165 (322-329)	136-160 (277-320)	121-135 (250-275)	101-120 (214-248)	86-100 (187-212)	85 (185)
“T” #	ATEX/IECEx															
	T1	T2				T3				T4	T5	T6				
Temp. Range °C (°F)	301-450 (547-842)	201-300 (394-572)				136-200 (277-392)				101-135 (214-275)	86-100 (187-212)	85 (185)				

① T numbers represent the maximum internal temperature for Class I, Division 2 and Class I, Zone 2 locations designated by the NEC.

② T numbers represent the maximum surface temperature under a dust blanket for Class II, Division 1 and 2 as designated by the NEC.

# Areamaster™ Generation 2 LED Luminaire

## Floodlight for Hazardous Locations

**NEC/CEC:**

Class I, Division 2, Groups A, B, C, D  
 Class I, Zone 2 Group IIC  
 Class II, Division 1 and 2, Groups E, F, G  
 Class III  
 Zone 20 and 21 Group IIIC

**NEC/CEC:**

Zone 22, Group IIIB  
 Simultaneous Exposure  
 Marine Outside Type (Salt Water) for USA ONLY  
 Wet Locations  
 Type 3R, 4, 4X, IP66/67

CCT	Lumen Output	Wattage	Efficacy (lm/W)	Optical Pattern	Catalog Number ①
<b>Clear Glass</b>					
<b>120-277 Vac/170-300 Vdc</b>					
5000K (cool white)	9900	70	141	NEMA 7x7 (150°x150°)	AMLGL6CG6BU
5000K (cool white)	9000	70	129	NEMA 7x6 (136°x113°)	AMLGL6CG7BU
3000K (warm white)	8100	70	116	NEMA 7x6 (136°x113°)	AMLGL6WG7BU
5000K (cool white)	15300	111	138	NEMA 7x7 (150°x150°)	AMLGL7CG6BU
5000K (cool white)	14200	111	128	NEMA 7x6 (136°x113°)	AMLGL7CG7BU
3000K (warm white)	11900	111	107	NEMA 7x6 (136°x113°)	AMLGL7WG7BU
5000K (cool white)	19900	158	126	NEMA 7x7 (150°x150°)	AMLGL8CG6BU
5000K (cool white)	18400	158	116	NEMA 7x6 (136°x113°)	AMLGL8CG7BU
3000K (warm white)	15500	158	98	NEMA 7x6 (136°x113°)	AMLGL8WG7BU
<b>347-480 Vac</b>					
5000K (cool white)	9900	71	139	NEMA 7x7 (150°x150°)	AMLGL6CG6BH
5000K (cool white)	9000	71	127	NEMA 7x6 (136°x113°)	AMLGL6CG7BH
3000K (warm white)	8100	71	114	NEMA 7x6 (136°x113°)	AMLGL6WG7BH
5000K (cool white)	15300	115	133	NEMA 7x7 (150°x150°)	AMLGL7CG6BH
5000K (cool white)	14200	115	123	NEMA 7x6 (136°x113°)	AMLGL7CG7BH
3000K (warm white)	11900	109	109	NEMA 7x6 (136°x113°)	AMLGL7WG7BH
5000K (cool white)	19900	157	127	NEMA 7x7 (150°x150°)	AMLGL8CG6BH
5000K (cool white)	18400	157	117	NEMA 7x6 (136°x113°)	AMLGL8CG7BH
3000K (warm white)	15500	150	103	NEMA 7x6 (136°x113°)	AMLGL8WG7BH
<b>Frosted Glass</b>					
<b>120-277 Vac/170-300 Vdc</b>					
5000K (cool white)	8100	70	116	NEMA 7x7 (150°x150°)	AMLGL6CF6BU
5000K (cool white)	12700	111	114	NEMA 7x7 (150°x150°)	AMLGL7CF6BU
5000K (cool white)	16500	158	104	NEMA 7x7 (150°x150°)	AMLGL8CF6BU
<b>347-480 Vac</b>					
5000K (cool white)	8100	71	114	NEMA 7x7 (150°x150°)	AMLGL6CF6BH
5000K (cool white)	12700	115	110	NEMA 7x7 (150°x150°)	AMLGL7CF6BH
5000K (cool white)	16500	157	105	NEMA 7x7 (150x150)	AMLGL8CF6BH



① For Fusing option, add suffix **F** to end of part number, example AMLGL8CG6BUF.  
 For 10KV surge protection, add suffix **S** to end of part number, example AMLGL7CG7BUS.  
 For both Fusing and 10KV surge, add suffix **FS** to end of part number, example AMLGL8CG7BUFS.

# Areamaster™ Generation 2 LED Luminaire Floodlight for Hazardous Locations

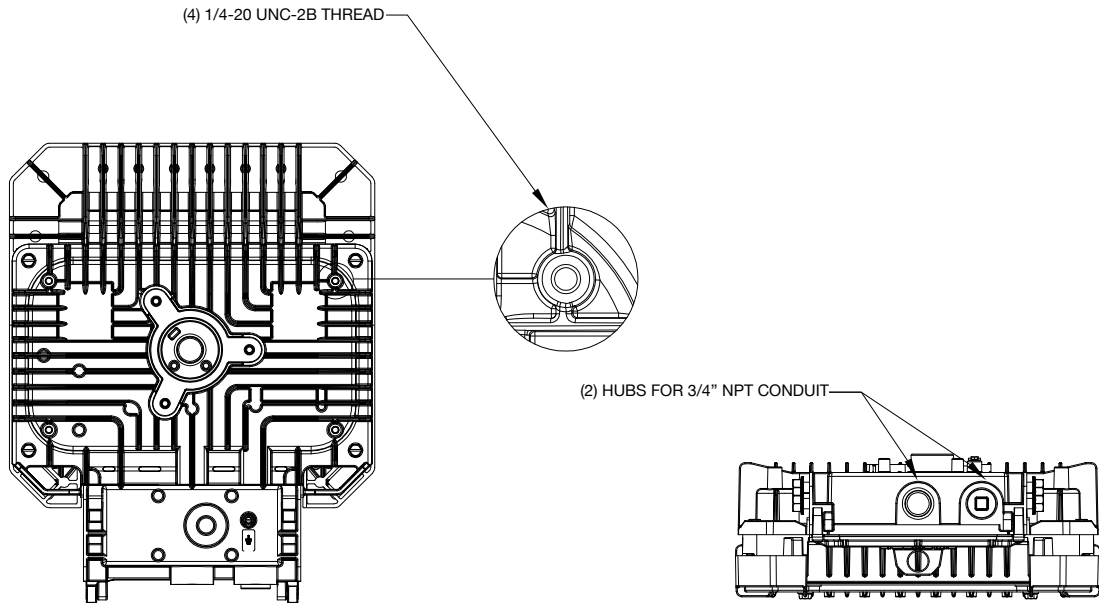
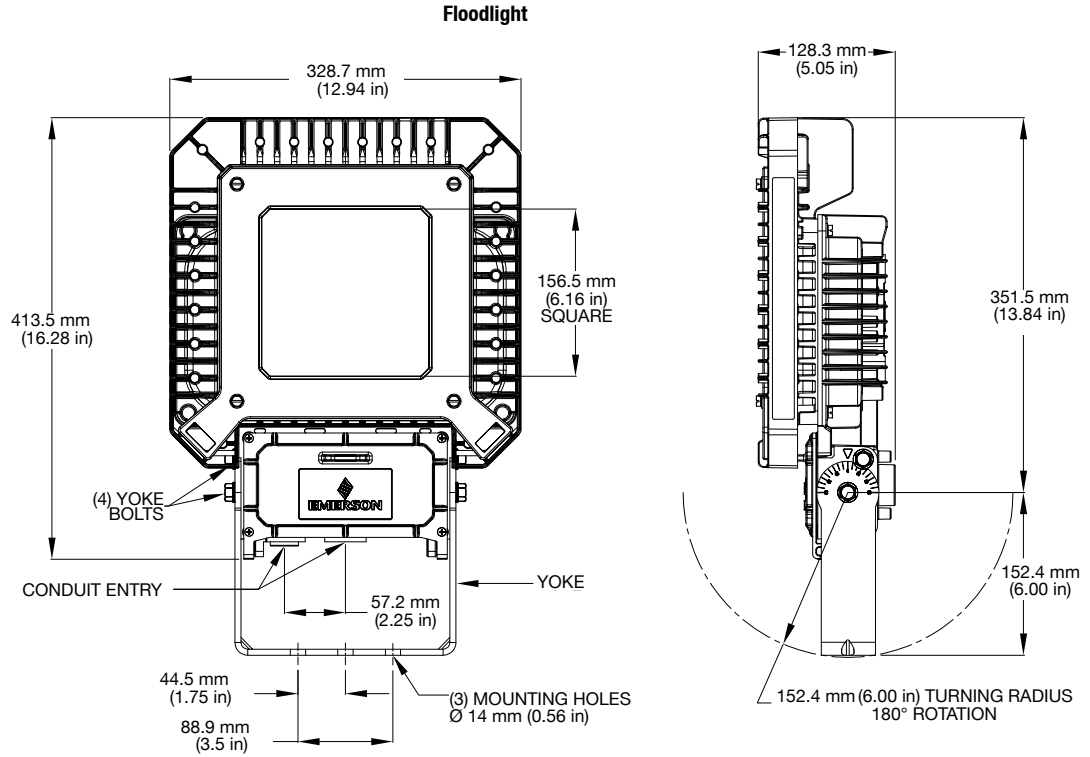
**NEC/CEC:**

Class I, Division 2, Groups A, B, C, D  
 Class I, Zone 2 Group IIC  
 Class II, Division 1 and 2, Groups E, F, G  
 Class III  
 Zone 20 and 21 Group IIIC

**NEC/CEC:**

Zone 22, Group IIIB  
 Simultaneous Exposure  
 Marine Outside Type (Salt Water) for USA ONLY  
 Wet Locations  
 Type 3R, 4, 4X, IP66/67

**Dimensions in Millimeters (Inches)**



**Appleton**

LED/FLOODLIGHTS: NEC/CEC ENCLOSED AND GASKETED

# Areamaster™ Generation 2 LED Luminaire

## Floodlight for Hazardous Locations

**NEC/CEC:**  
 Class I, Division 2, Groups A, B, C, D  
 Class I, Zone 2 Group IIC  
 Class II, Division 1 and 2, Groups E, F, G  
 Class III  
 Zone 20 and 21 Group IIIC

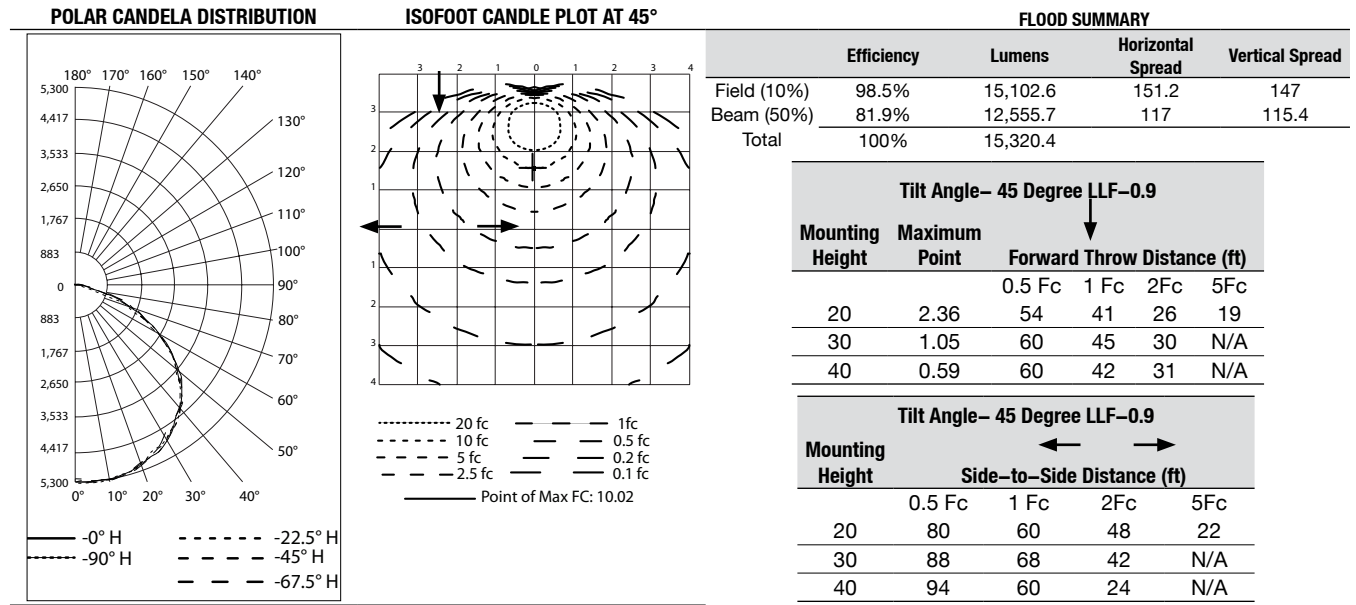
**NEC/CEC:**  
 Zone 22, Group IIIB  
 Simultaneous Exposure  
 Marine Outside Type (Salt Water) for USA ONLY  
 Wet Locations  
 Type 3R, 4, 4X, IP66/67

### Photometric Data — DATA SHOWN IS ABSOLUTE

**NEMA 7x7, Clear Glass**

REPORT NUMBER: **AMLGL7CG6BU**

Luminaire Lumens 15,320



**NEMA 7x7, Frosted Glass**  
 REPORT NUMBER: **AMLGL7CF6BU**  
 Luminaire Lumens 12,782

