

863 SERIES™ FLOOR BOXES



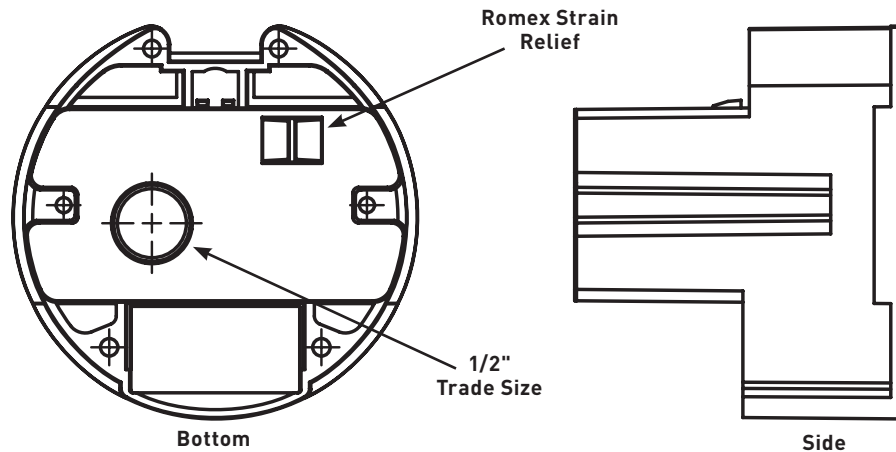
863 Series™ Multi-Service Round Floor Box Assembly Kits for Wood Floors for New and Retrofit Residential Applications.

CODE REFERENCE

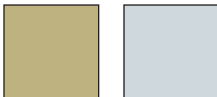
cULus Listed
Nonmetallic Outlet Boxes:
 File E110748 Guide QCMZ.
 Meets Article 314.27(C) of NEC.

863 Series Floor Box Assembly Kits Ordering Information

Knockouts:



COLOR OPTIONS



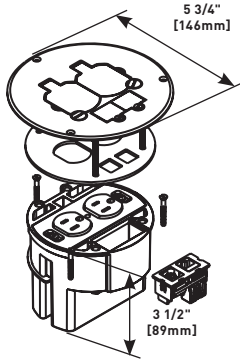
863 Series™ Cover Plates are available in these colors as indicated in the part number descriptions.

Custom color options are also available. Consult the factory for more information.

863 SERIES™ FLOOR BOXES

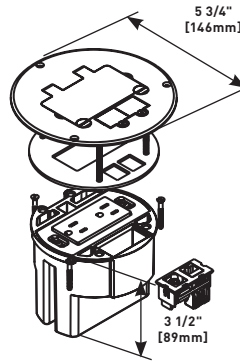
863 Series Floor Boxes Ordering Information

863DPCOM Dual-Service Floor Box Kit



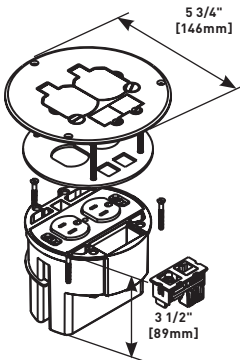
Includes round PVC floor box, one 15A, 125V tamper-resistant duplex receptacle, one coax F connector, one RJ45 Category 5e connector, and brass duplex opening cover plate with two flip lids.

863DRGFICOM Dual-Service Floor Box Kit



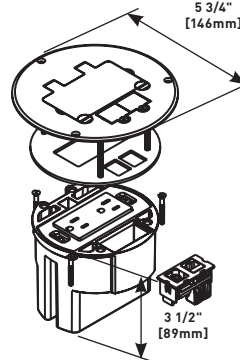
Includes round PVC floor box, one 15A, 125V tamper-resistant decorator style duplex receptacle, one coax F connector, one RJ45 Category 5e connector, and brass duplex opening cover plate with single flip lid.

863DPCOMAL Dual-Service Floor Box Kit



Includes round PVC floor box, one 15A, 125V tamper-resistant duplex receptacle, one coax F connector, one RJ45 Category 5e connector, and brushed aluminum duplex opening cover plate with two flip lids.

863DRGFICOMAL Dual-Service Floor Box Kit



Includes round PVC floor box, one 15A, 125V tamper-resistant decorator style duplex receptacle, one coax F connector, one RJ45 Category 5e connector, and brushed aluminum duplex opening cover plate with single flip lid.