

Dual-Rated Mechanical Connectors

Type ADR-ALCÜL™ — Single Conductor, Two-Hole Mount*

- For copper and aluminum conductors
- Easy installation – no special tools required
- Tin-plated for low contact resistance
- All aluminum bodies

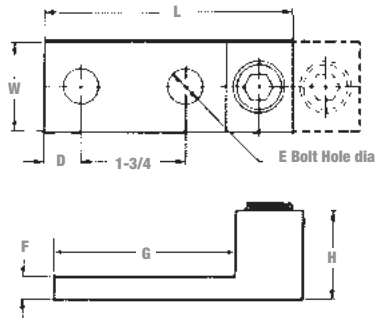


Fig. 1



Fig. 2

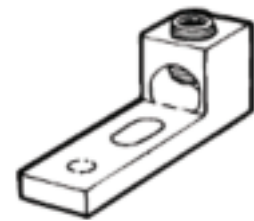
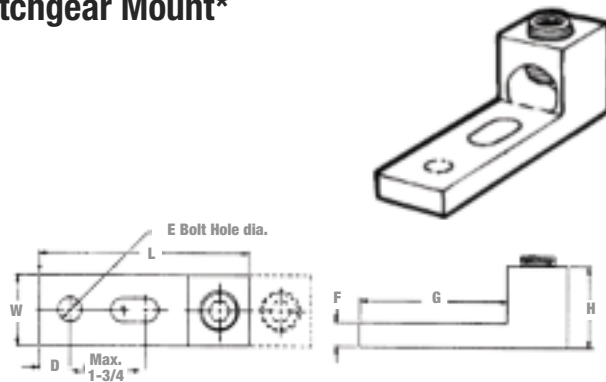


Cat. No.	Figure	Conductor Range (Al or Cu)		Dimensions (in.)						
		Max.	Min.	L	W	H	D	E	F	G
ADR35-12	1	350 kcmil	6 str.	4-1/4	1-1/4	1-3/8	5/8	1/2	5/16	3
ADR60-12D	2	600 kcmil	2 str.	5-5/16	1-1/2	1-1/2			3/8	3-1/16
ADR80-12D		800 kcmil	300 kcmil	6-3/16	1-3/4	1-7/8			9/16	3-7/16
ADR99-12D		1,000 kcmil	350 kcmil							

* NEMA spacing: 1-3/4 in. centers.
Connectors accommodating conductors 600 kcmil and larger have double row of set screws (D suffix).

Type ADR-ALCÜL™ — Single Conductor, Switchgear Mount*

- For copper and aluminum conductors
- Easy installation – no special tools required
- Tin-plated for low contact resistance
- All aluminum bodies



Cat. No.	Conductor Range (Al or Cu)		Dimensions (in.)						
	Max.	Min.	L	W	H	D	E	F	G
ADR25-12S	250 kcmil	3/0 str.	3	1	13-16	1/2	3/8	1/4	2
ADR35-12S	350 kcmil	4 str.	4-11/16	1-1/4	1-9/16	23/32	1/2	7/16	3-5/16
ADR50-12S	500 kcmil	400 kcmil							
ADR80-12DS	800 kcmil	300 kcmil	6-3/16	1-5/8	1-7/8			9/16	3-7/16
ADR99-12DS	1000 kcmil	350 kcmil							

* NEMA spacing: 1-3/4 in. centers except ADR25-12S: 1 in. centers.
Connectors accommodating conductors 600 kcmil and larger have double row of set screws (D suffix).