

MO2 Series

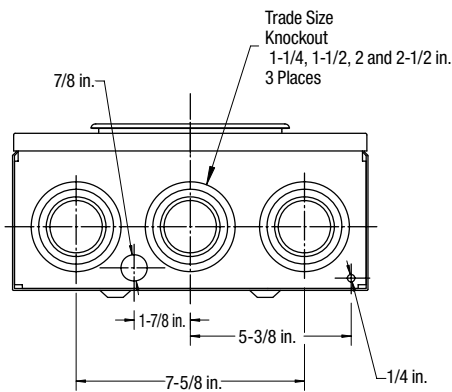
200 A 600 V; Underground Only

Product Specifications

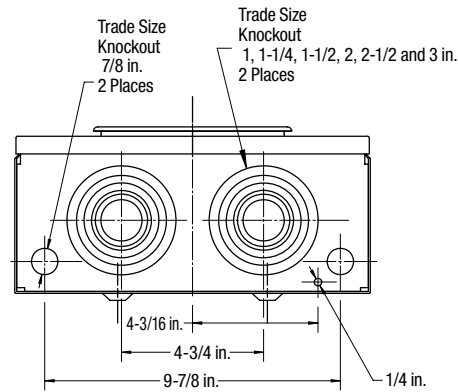
- Conductor Range: Line: Single 1/2 in. studs to accommodate compression lugs 350 kcmil max. (supplied by utility), Load: 6 AWG-250 kcmil
- For underground service only
- Aluminum tunnel type connectors for load side, 1/2 in. studs on line side
- Supplied with screw type ring
- Weatherproof Type 3R enclosure
- Primarily used in: Sask., Man., Ont., Que.



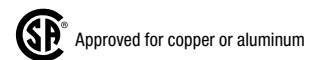
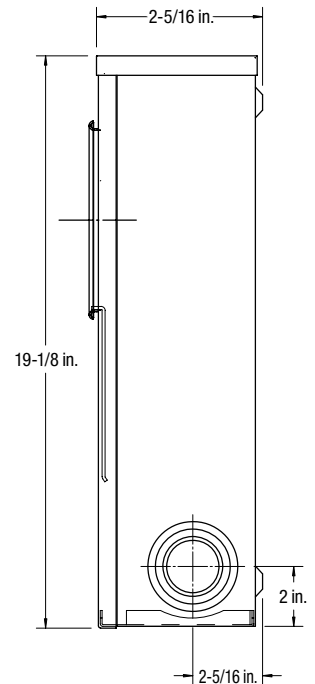
(MO2-V)



MO2-V0 BOTTOM



MO2-V BOTTOM



Cat. No.	Description	Dimensions (in.)			Weight Each	
		H	W	D	lb.	kg
4 JAW						
MO2-V	Underground 1/2 in. studs	19-1/8	12	5-9/16	18	8.1
MO2-V0	Underground 1/2 in. studs for Ontario					
MO2MB-V	Underground 4/0 for Manitoba					
FACTORY-INSTALLED ACCESSORIES						
Include: -W	Water heater lugs					
-M	2/0 AWG subfeed on load side					