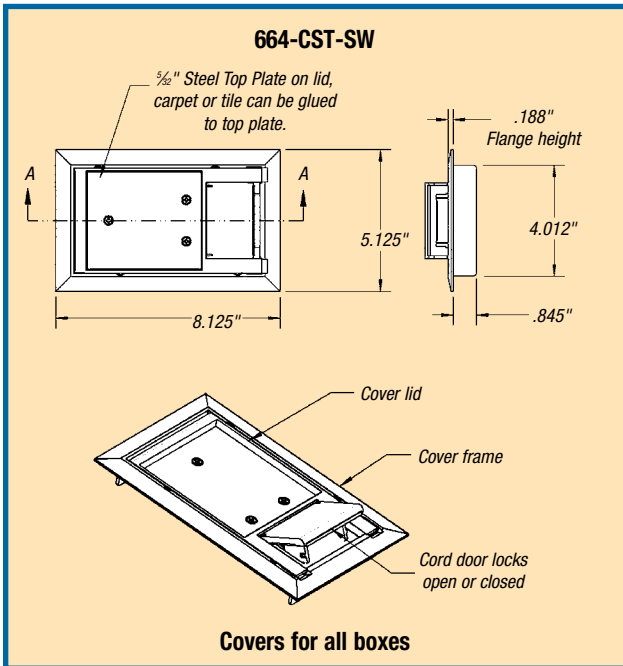


## Recessed Service Floor Boxes

### Non-Metallic Covers for 664 Series Floor Boxes



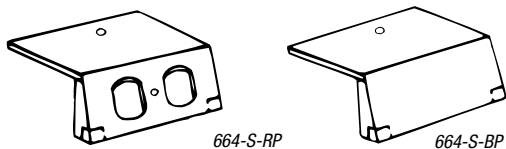
MopTite® covers meet UL scrubwater exclusion requirements for carpet, tile and wood.



CAT. NO.	DESCRIPTION	LOAD RATING	STD. CTN.
664-CST-SW-GRY	Gray Cover	1,500 lbs.	1
664-CST-SW-BRN	Brown Cover	1,500 lbs.	1
664-CST-SW-BGE	Beige Cover	1,500 lbs.	1
664-CST-SW-BLK	Black Cover	1,500 lbs.	1

Material: Polycarbonate with 1/2" steel plate.

### Device Plates — 664-S



CAT. NO.	DESCRIPTION	STD. CTN.
664-S-RP	Blank Plate for Use with 664-S Floor Box	4
664-S-BP	Blank Plate for Use with 664-S Floor Box	4

### Wire Tunnel for 664 Series

- Wire tunnel for protecting electrical connections between the two duplex receptacles when the box is used for power/power application



CAT. NO.	DESCRIPTION	STD. CTN.
664-WT	For Use with 664 and 664-CI Floor Boxes	4
664-S-WT	For Use with 664-S Floor Box	4

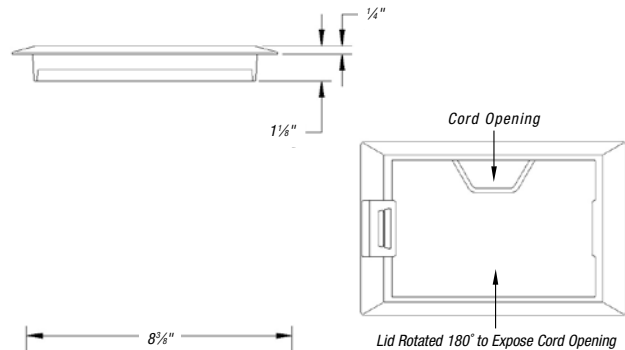


### Metallic Covers for 664 Series Floor Boxes



664-CST-SW-BRS  
Solid Brass

664-CST-SW-ALM  
Solid Aluminum



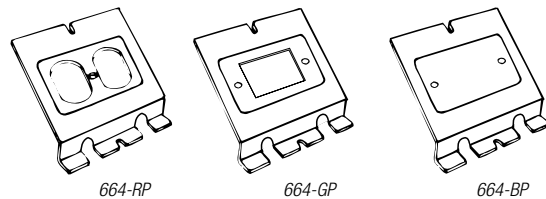
MopTite® covers meet UL scrubwater exclusion requirements for carpet, tile and wood.



CAT. NO.	DESCRIPTION	LOAD RATING	STD. CTN.
664-CST-SW-BRS	Solid Brass Cover for 664 Series Floor Boxes	2,250 lbs.	1
664-CST-SW-ALM	Solid Aluminum Cover for 664 Series Floor Boxes	2,250 lbs.	1

### Device Plates — 664-SC & 664-CI

- Duplex receptacle face plate for 664 Series floor box for additional power service
- Does not include duplex receptacle. Can be placed at either end of floor box



CAT. NO.	DESCRIPTION	STD. CTN.
664-RP	For Use with 664 and 664-CI Floor Boxes	4
664-BP	Blank Plate for Use with 664 & 664-CI Floor Boxes	4
664-GP	GFCI Receptacle Plate	4

**CAUTION:** When using the center side KOs, all 664 plates must be assembled to the box prior to installing the conduit.